

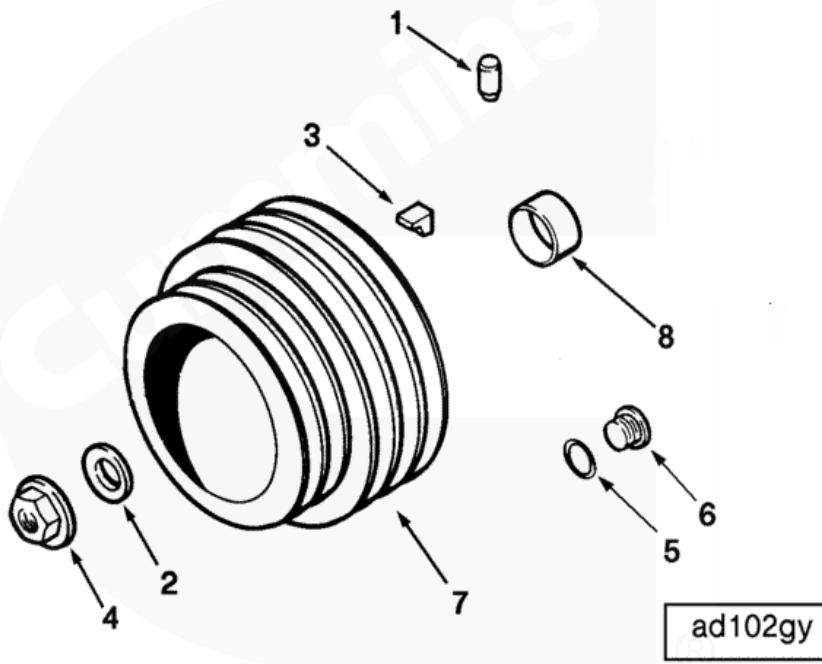


ZEB Power Solution Company limited

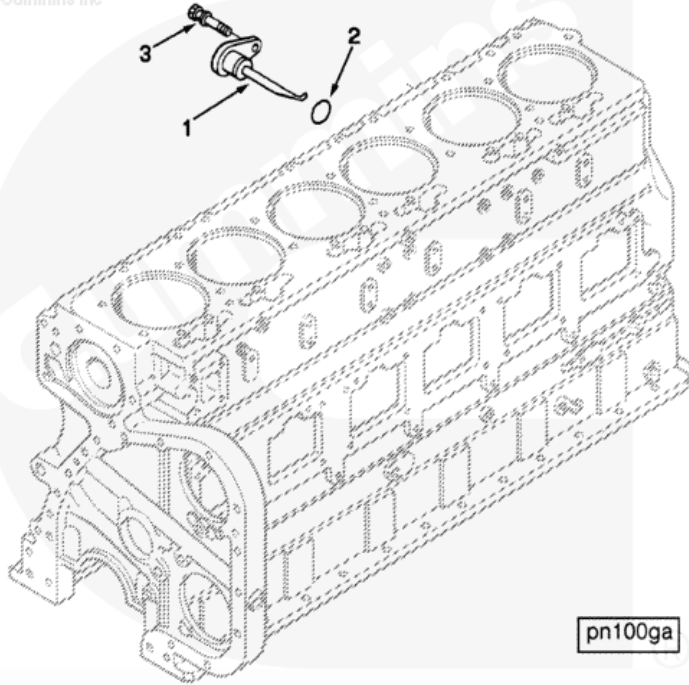
Cummins NT855-C280 Parts Catalogue

Ref No.	Part No.	Part Name
	AD 115	PULLEY,ACCESSORY DRIVE
	3012602-40	PULLEY ACCESSORY MTG
1	70550-20	PIN
2	193136-20	WASHER PLAIN
3	3008947	SEAL,KEYWAY
4	3012526-20	NUT HEXAGON FLANGE
5	3037537	SEAL O RING
6	3040813-20	PLUG THREADED
7	3013538-20	PULLEY ACCESSORY
8	3076346-20	SLEEVE WEAR

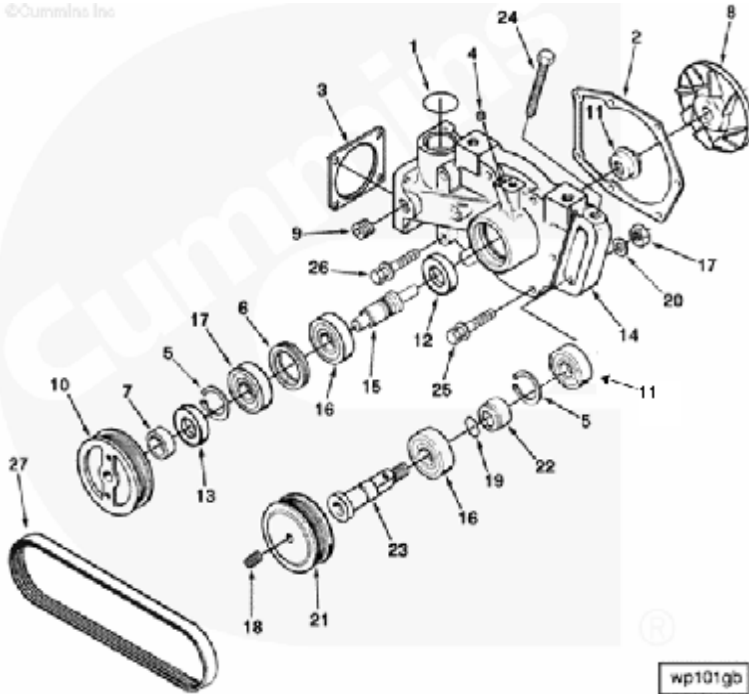
©Cummins Inc



	BP 1204	PARTS. BASE
	3014404-40	NOZZLE PISTON COOLING
	3013591-20	NOZZLE PISTON COOLING
1	3013590-20	NOZZLE PISTON COOLING
2	3007442	SEAL, O RING
3	3033822-20	SCREW CAPTIVE WAS



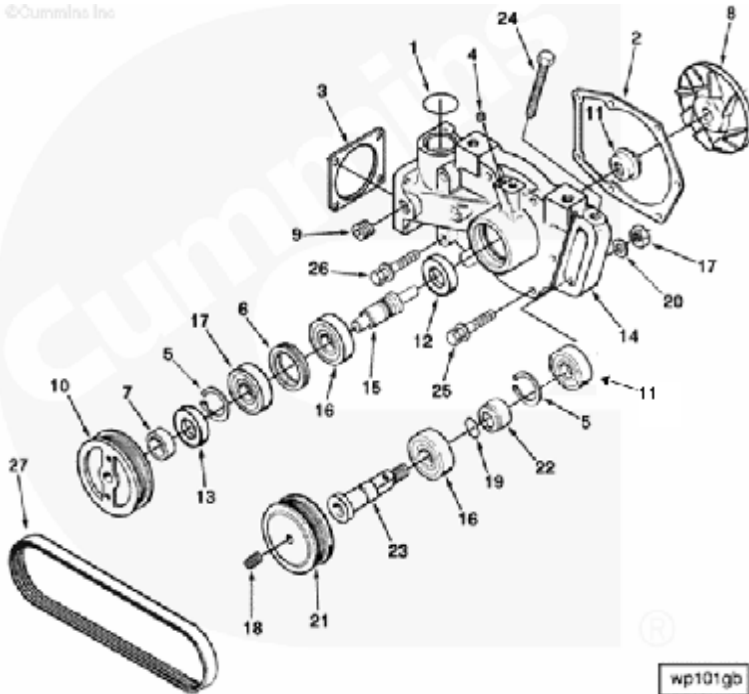
	3024832-40	MTG WATER PUMP
2	3002385-20	GASKET, WATER PUMP
25	3012468-20	SCREW CAPTIVE WAS
26	3012469-20	SCREW, CAPTIVE
24	182706-20	SCREW, HEX HEAD CAP
27	217638-20	BELT, V RIBBED



	4915264-10	PUMP, WATER
6	196844-20	SPACER
8	3000888	IMPELLER WATER PUMP
9	3013786-20	PLUG PIPE
10	3025935-20	PULLEY WATER PUMP
14	3045163-10	BODY WATER PUMP
15	3050394-20	SHAFT WATER PUMP
16	3063246-20	BEARING BALL
11	4060899-20	SEAL, WATER

4	S 911 B-20	PLUG PIPE
5	S 16255-20	RING RETAINING

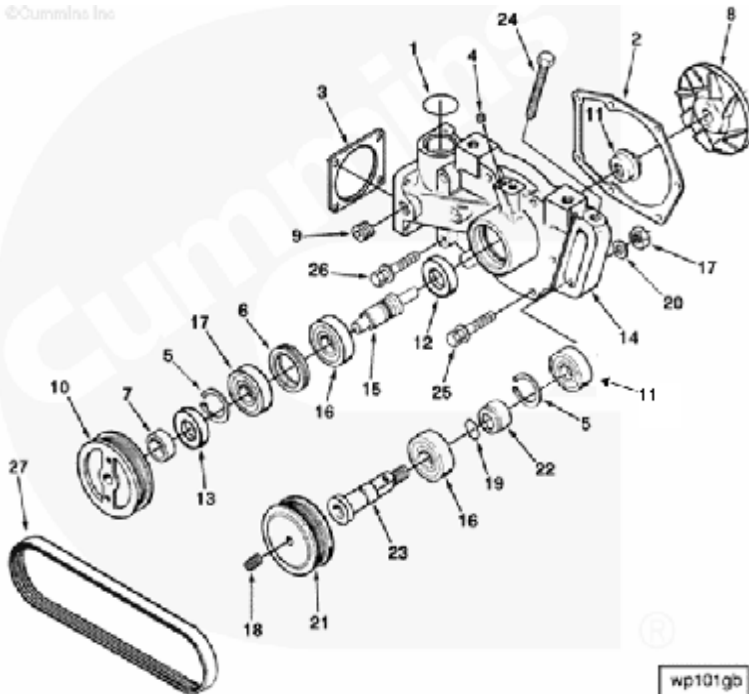
©Cummins Inc



wp101gb

	AR45189-10	IDLER WATER PUMP
19	145506	SEAL O RING
23	208119-20	SHAFT IDLER
22	208120-20	SPACER
20	213082-20	WASHER PLAIN
21	215397-20	PULLEY IDLER
11	3038998	SEAL OIL
16	3063246-20	BEARING BALL
17	S 201-20	NUT HEAVY HEXAGON
18	S 965 E-20	PLUG PIPE
5	S 16255-20	RING RETAINING

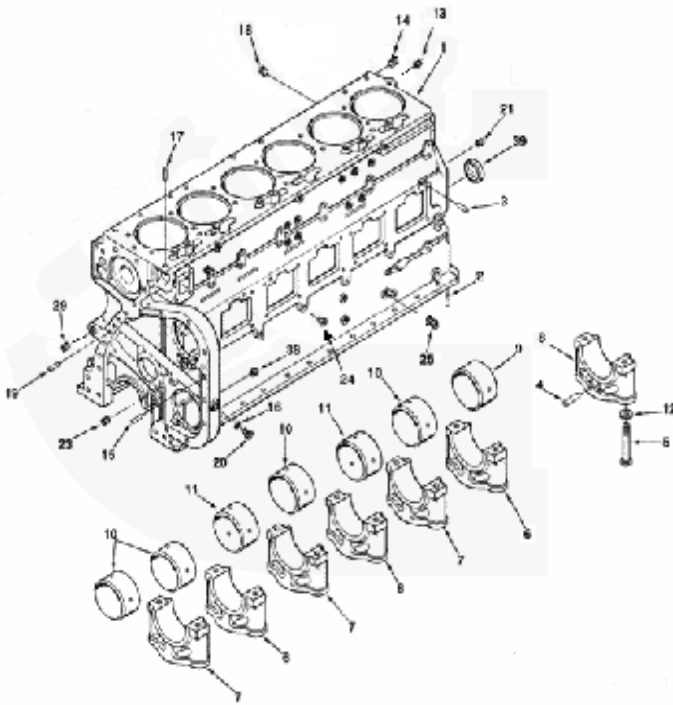
©Cummins Inc



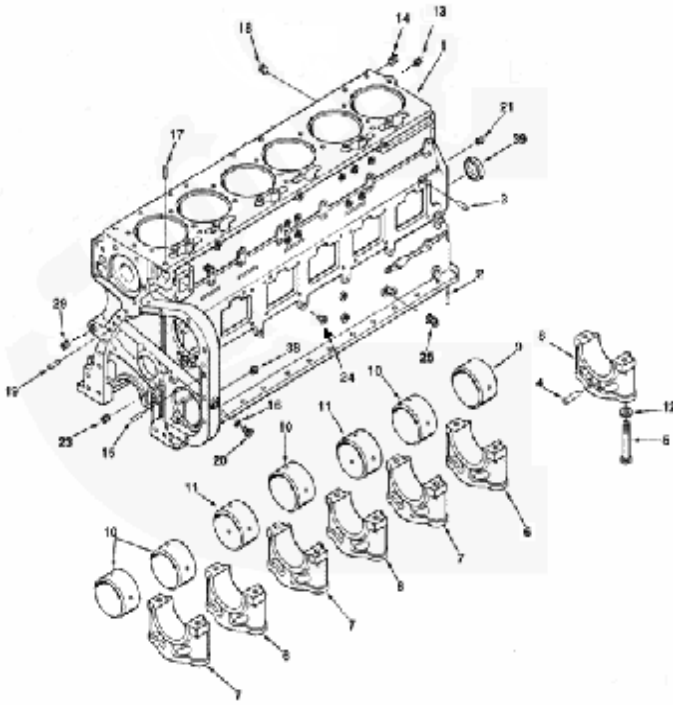
wp101gb

	3032187-10	BLOCK CYLINDER
1	3031156-10	BLOCK CYLINDER

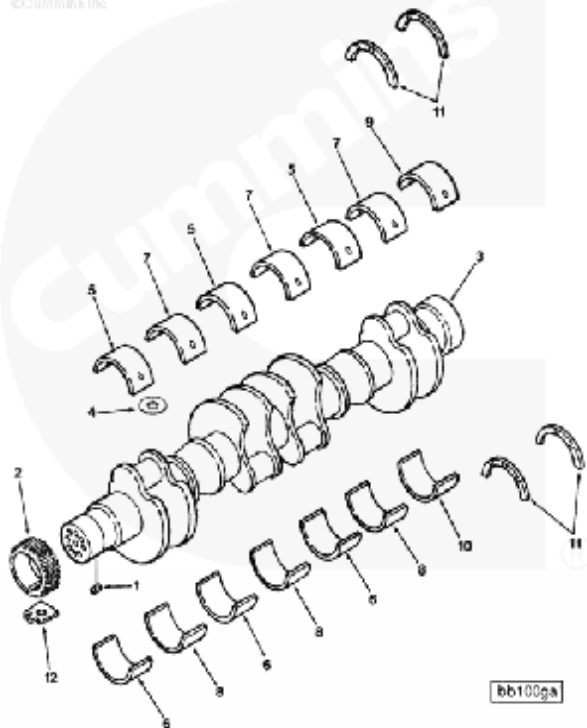
	3165262 A-20	SLEEVE
2	67211-20	DOWEL REAR MAIN BEARING
3	68585-20	DOWEL PIN
5	208346-20	SCREW, HEX HEAD CAP
7	3008047-20	CAP MAIN BEARING(1# 3# 5#)
6	3008048-20	CAP MAIN BEARING(2# 4# 6#)
8	3008049-20	CAP MAIN BEARING(7#)
9	3011951	BUSHING(7#)
10	3028075	BUSHING(1# 2# 4# 6#)
11	3028269	BUSHING(3# 5#)
12	3039305-20	WASHER PLAIN



	4915265-10	BLOCK,CYL.MTG
16	66292-20	WASHER PLATE
17	68445-20	PIN GROOVE
24	69901-20	PLUG PIPE
4	202903-20	PIN POLL
20	210884-20	PLUG THREADED
39	3011952-20	PLUG EXPENSION
13,21,23,29	3013786-20	PLUG PIPE
18,25,38	4931643-20	PIPE PLUG
14	S 966 E-20	PLUG

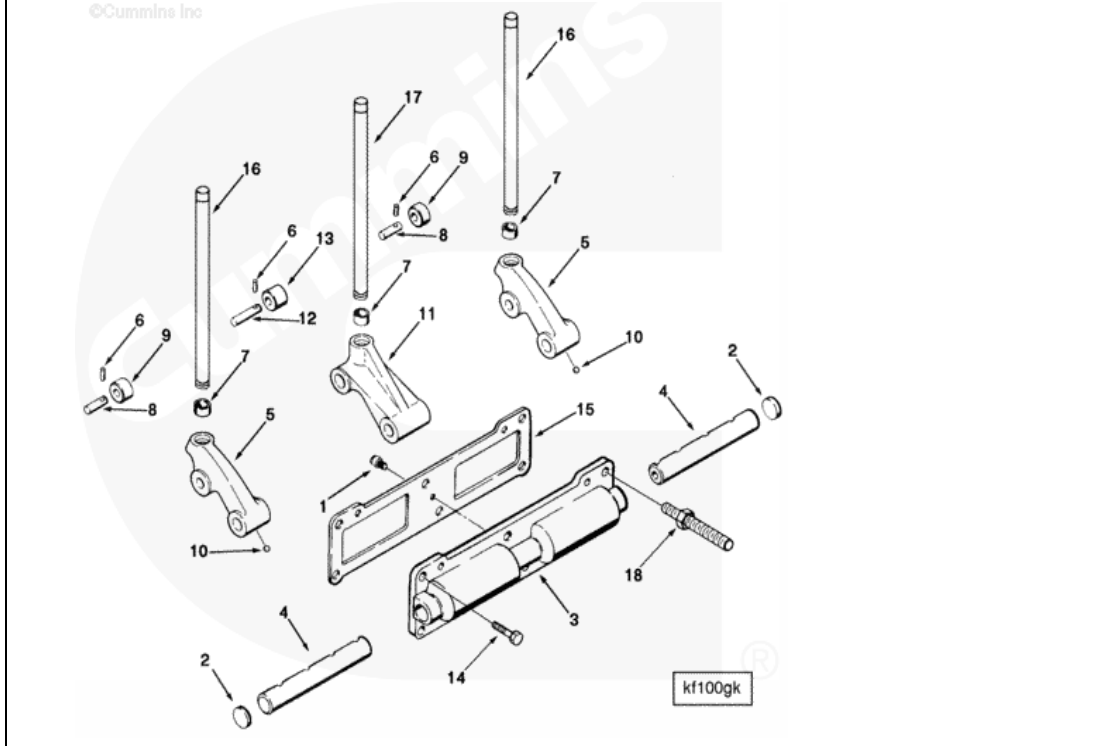


	3054866-40	CRANKSHAFT
1	210179-20	KEY RECTANGULAR
2	3014614-20	GEAR CRANKSHAFT
3	3608833-10	CRANKSHAFT ENGINE
	3037046-40	SET MAIN BEARING
5	3019174-20	BEARING, MAIN
6	3019180-20	BEARING, MAIN
7	3019186-20	BEARING, MAIN
8	3019192-20	BEARING, MAIN
9	3019198-20	BEARING, MAIN
10	3019204-20	BEARING, MAIN
4	3037045-20	RING MAIN BEARING
11	3067568-20	BEARING THRUST



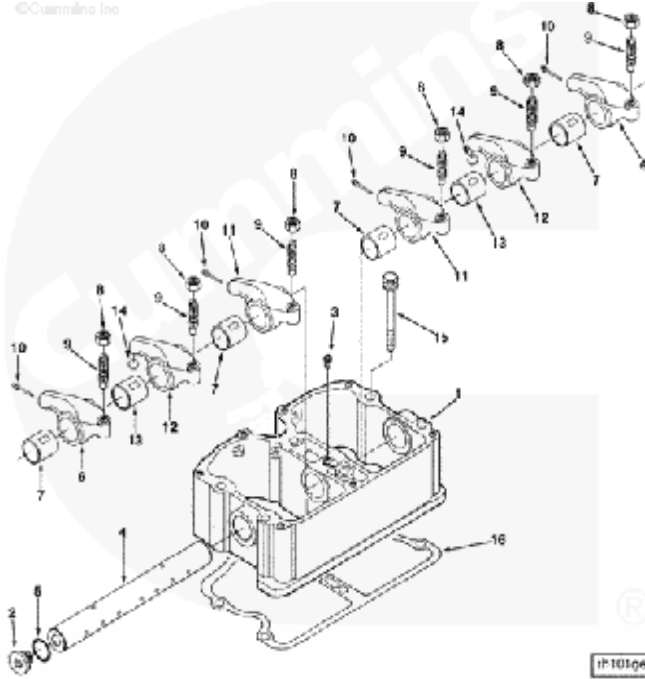
1-13	3418660-20	HOUSING, CAM FOLLOWER
16	3046420-20	ROD PUSH

17	3046430-20 4915263-10	ROD PUSH HORSEING, MOUNTING
15	3074400-20	GASKET CAM FOL HOUSING
15	3074401-20	GASKET CAM FOL HOUSING
15	3074402-20	GASKET CAM FOL HOUSING
15	3074403-20	GASKET CAM FOL HOUSING
14	S 120 A-20	SCREW, HEX HEAD CAP



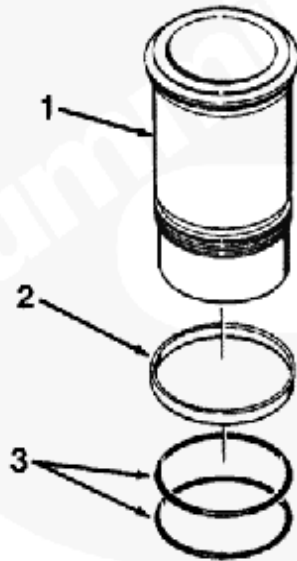
4915262-10		HOUSING, ROCKER ARM
15	3010589-20	SCREW
16	3017750-20 3418522-10	GASKET RKR LEVER HOUSING RKR HSG
3	168319-20	SET SCREW
2	3038903-20	PLUG ROCKER LEVER SHAFT
4	3038904-20	SHAFT ROCKER LEVER
5	3058653	SEAL O RING
1	3418752-20 AR 2308-20	LEVER ROCKER LEVER ROCK
8	S 212-20	Hexnut
9	168306-20	Screw, Slotted Set
12	218152-20	Lever, Rocker
13	218153-20	Bushing, Lever
14	194037-20 BM95161-20	Socket, Rocker Lever LEVER ROCK
7	140330-20	Bushing, Lever
8	S 212-20	Hexnut
9	168306-20	Screw, Slotted Set
10	208084-20	Rivet
11	169704-20 BM95162-20	Lever, Rocker LEVER ROCK
6	169705-20	Lever, Rocker
7	140330-20	Bushing, Lever
8	S 212-20	Hexnut
9	168306-20	Screw, Slotted Set
10	208084-20	Rivet

©Cummins Inc



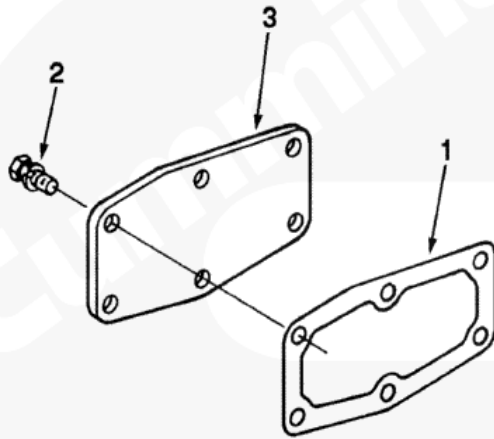
	AR 9759-40	LINER, CYLINDER
2	215090	SEAL
3	3032874	SEAL O RING
1	3055099-20	LINER CYLINDER

©Cummins Inc



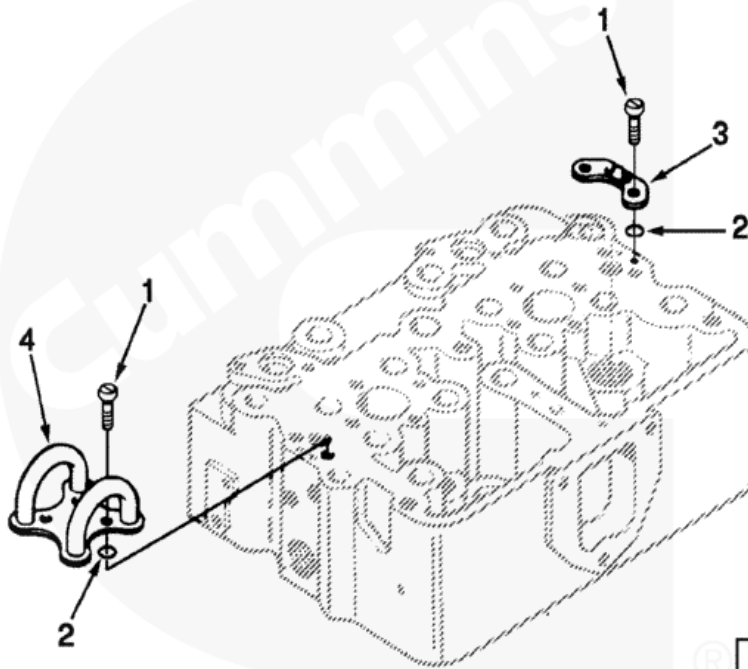
bb100gb

	AR10070-40	COVER WATER HEADER
1	3069098-20	GASKET COVER PLATE
2	132019-20	COVER WATER HEAD
3	3013904-20	SCREW CAPTIVE WAHER



wh100ge

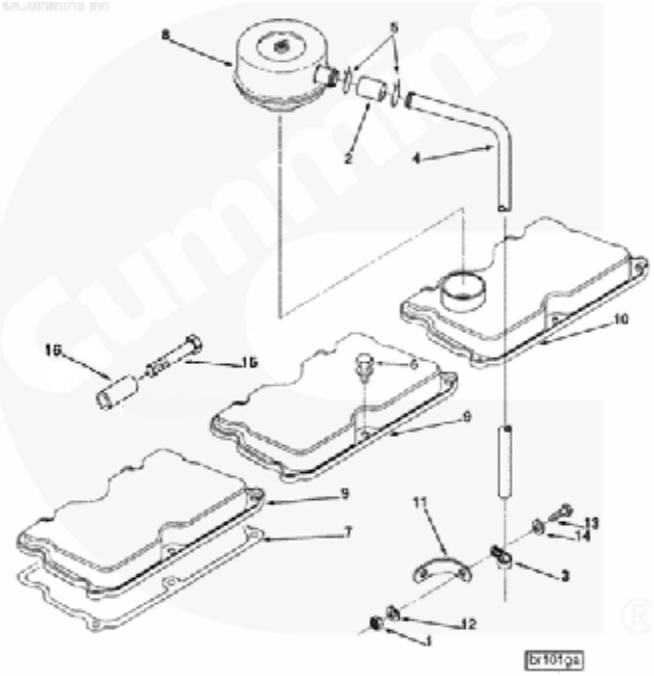
	BM73331_CE-40	CROSSOVER FUEL
1	70772-20	SCREW FILLISTER HEAD CAP
2	131026	SEAL O RING
3	135308-20	PLATE COVER
4	147100-20	CROSSOVER FUEL



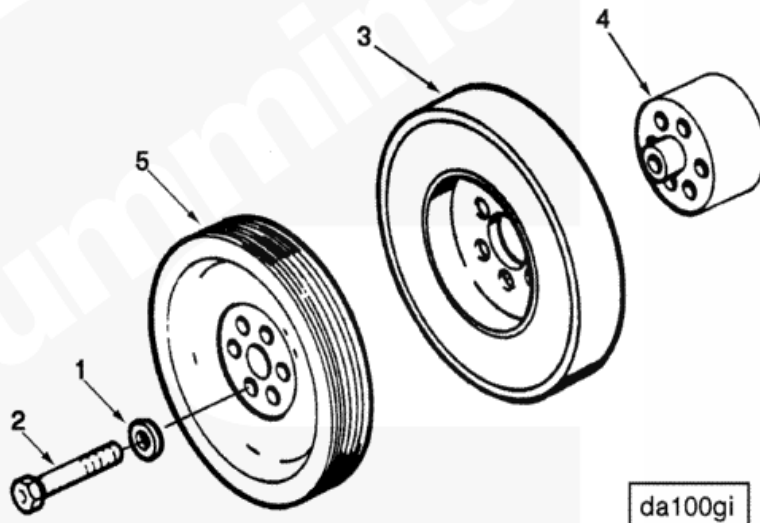
fs100gc

	MP 4053-40	MTG NAMEPLATE
	S 2286-20	SCREW DRIVE
	BR 1087	BREATHER & VENT COVER
9	3006183-20	COVER ROCKER LEVER
	3260666-40	TUBE VENT
5	43828-20	CLAMP HOSE
16	62906 C-20	SPACER
2	64775-20	HOSE
3	69911 A-20	CLIP
11	214096-20	SUPPORT NOISE PA

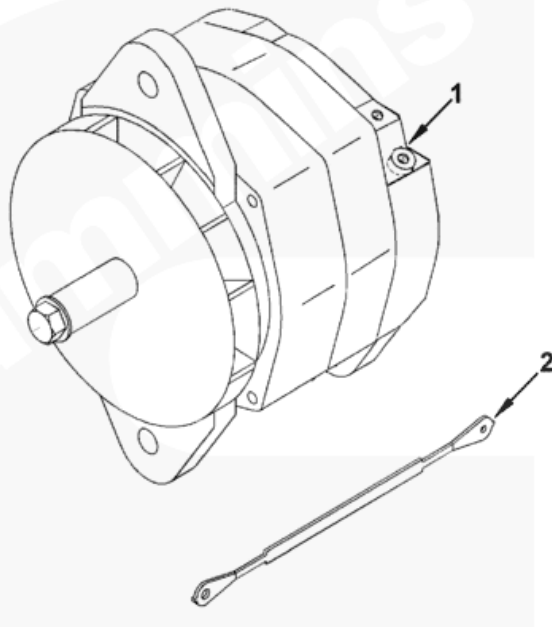
	3010596-20	SCREW CAPTIVE WASHER CAP
	3012476-20	SCREW CAPTIVE WAS
	3022589-20	SCREW CAPTIVE WASHER
4	3250977-20	TUBE BREATHER
1	S 223-20	NUT HEAVY HEXAGON
	4913633-10	BREATHER CRANKCASE
8	255180-20	BREATHER CRANKCASE
10	3006358-20	COVER ROCKER LEVER
	MP 3887-40	COVER ROCKER HOUSING MTG
6	3038076-20	SCREW
7	3067459-20	GASKET ROCKER COVER



	DA 1136	VIBRATION DAMPER
	3260635-40	MTG VIB DAMPER
1	127316-20	WASHER PLAIN
2	212114-20	SCREW TWELVE POINT
3	3512375-10	DAMPER VIBRATION
4	3326141-20	SPACER CRANKSHAFT
5	3326153-20	PULLEY CRANKSHAFT

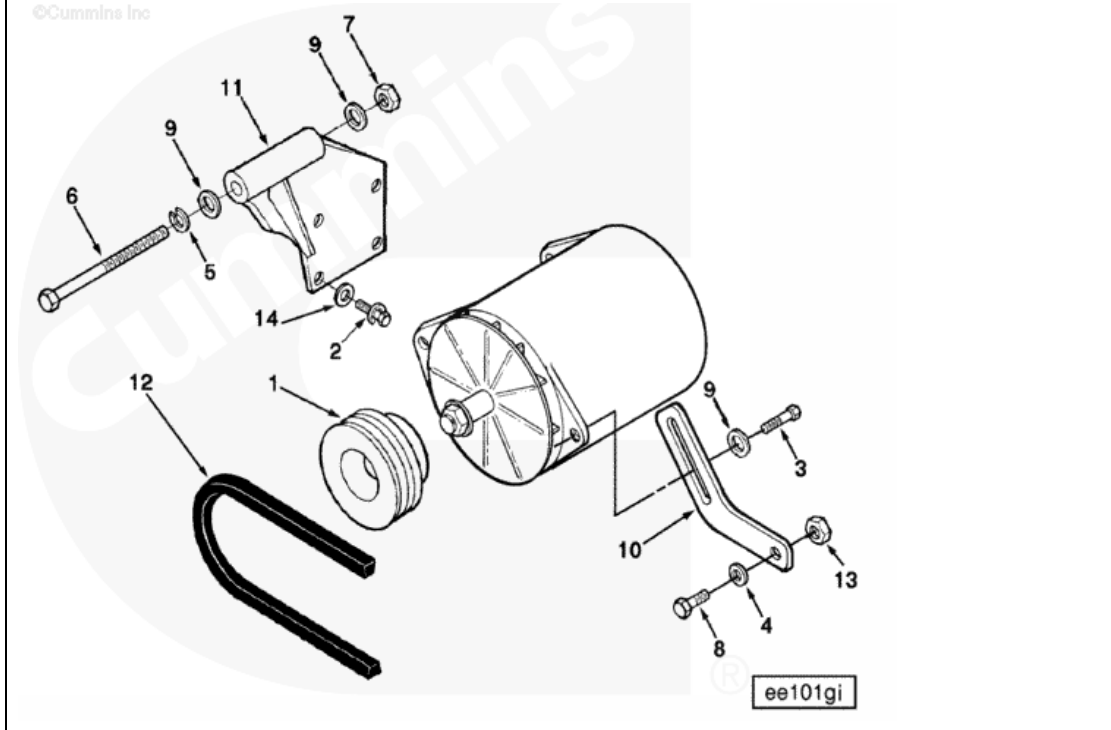


	EE 801	ALTERNATOR
1	4060811-20	ALTERNATOR
2	3202162-20	WIRE GROUND

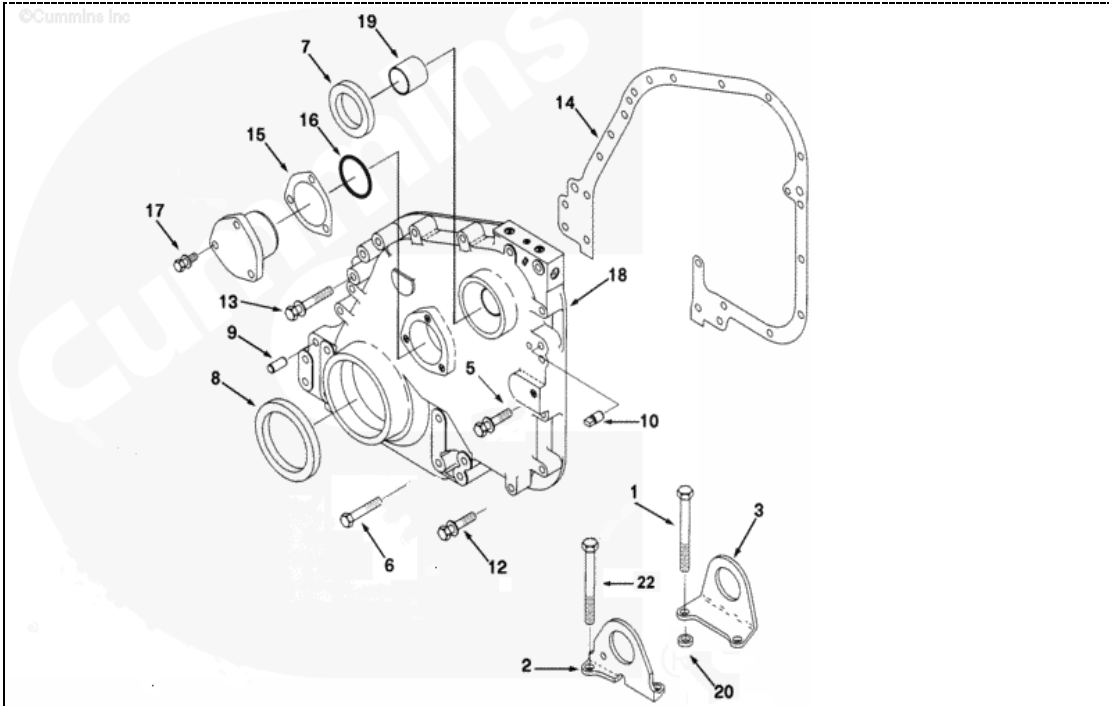


	EE 1155	ALTERNATOR MTG
1	213326-20	PULLEY ALTERNATOR
12	3040292-20	BELT V
	3261135-40	MTG ALTERNATOR
7	70897-20	NUT LOCK
6	158829-20	SCREW, HEXAGON HEAD CAP
9	203310-20	WASHER PLAIN
4	203760-20	WASHER PLAIN
11	3010373-20	BRACKET ALTERNATOR
2	3010595-20	SCREW, CAPTIVE WASHER CAP
10	3250968-20	LINK ADJUSTING
3	S 145-20	SCREW, HEX HEAD CAP

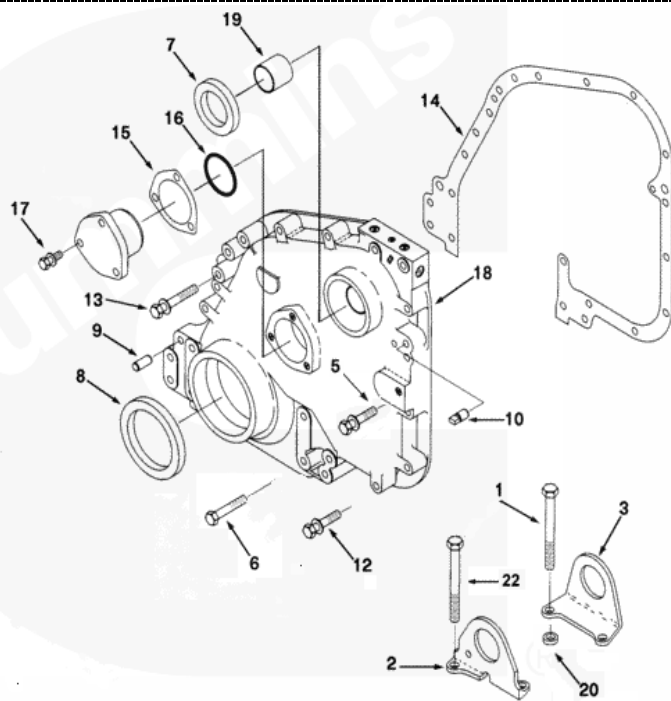
8	S 183A-20	SCREW,HEX HEAD CAP
13	S 230A-20	NUT
5	S 608-20	Spring washer



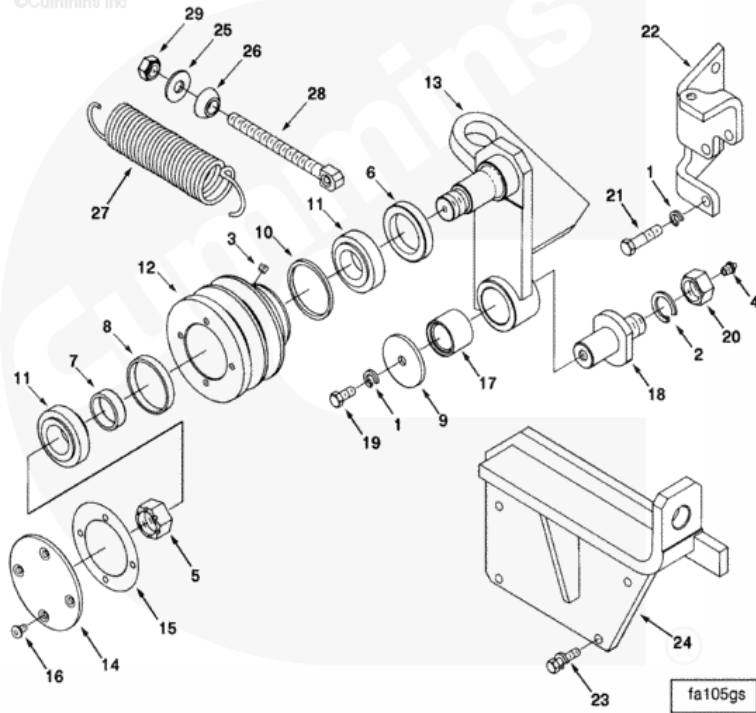
	EM 121	ENGINE SUPPORT
	3166098-40	BACK LIFTING
20	65434-20	SPACER MOUTING
1	120516-20	SCREW HEXAGON
3	3001726-20	BRACKET LIFING
	AR 6059-40	BRACKET LIFTIN
2	170226-20	BRACKET LIFTIN
22	S 176-20	SCREW,HEX HEAD
	3419270-40	ASSY GEAR HOUS
7	3020185	SEAL OIL
8	3020186	SEAL OIL
	3325683-40	COVER,GEAR
19	132770-20	BUSHING
18	3418659-20	COVER GEAR



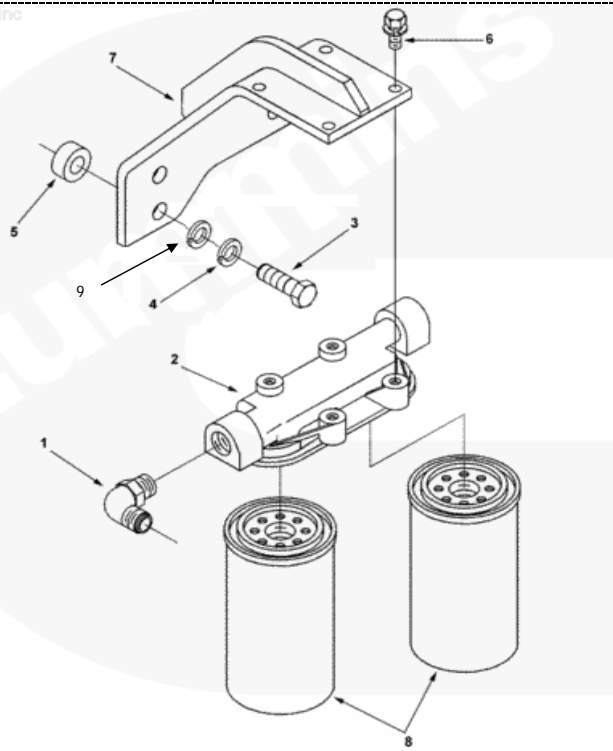
	4915275-10	MTG GEAR COVER
10	60408-20	PIN DOWEL
9	70653-20	DOWEL
16	215705	SEAL O RING
12	3011712-20	SCREW CAPTIVE
5	3011713-20	SCREW CAPTIVE
13	3011714-20	SCREW CAPTIVE
17	3011715-20	SCREW CAPTIVE
14	3021704-20	GASKET, GEAR COVER
15	65259 C-20	SHIM
15	4913819-20	SHIM
15	4913820-20	SHIM
6	100915-20	SCREW, HEX HEAD
	S 610-20	WASHER LOCK
	3013786-20	PLUG PIPE
	3008466-20	PLUG PIPE
	S 911 B-20	PLUG PIPE
	3054889-20	SCREW, HEX HEAD
	3058664-20	SCREW TWELVE P
	3600283-20	WASHER, PLAIN
	3600285-20	SCREW, HEX HEAD
	3000082-20	WASHER



	<u>FA 109</u>	FAN ARRANGEMENT
	3260625-40	BRACKET PIVOIT
23	3011715-20	SCREW CAPTIVE WASHER CAP
24	3326154-20	BRACKET IDLER PULLEY
	3260626-40	SPRING TENSION
25	146163-20	WASHER PLAIN
26	423280-20	WASHER PLAIN
27	3250956-20	SPRING
28	3325952-20	BOLT HOOK
29	3335066-20	NUT
	3418996-40	BRACKET SHIPPING
	3600283-20	WASHER,PLAIN
22	3655343-20	BRACKET
21	S 108 A-20	SCREW,HEX HEAD CAP
16	S 140-20	SCREW,HEX HEAD CAP
1	S 610-20	WASHER LOCK
	S 622-20	WASHER PLAIN
	4915200-20	IDLER,FAN HUB
13	4913880	LEVER, IDLER
17	4913825	BEARING,NEEDLE
18	4913879	SHAFT,PIVOT

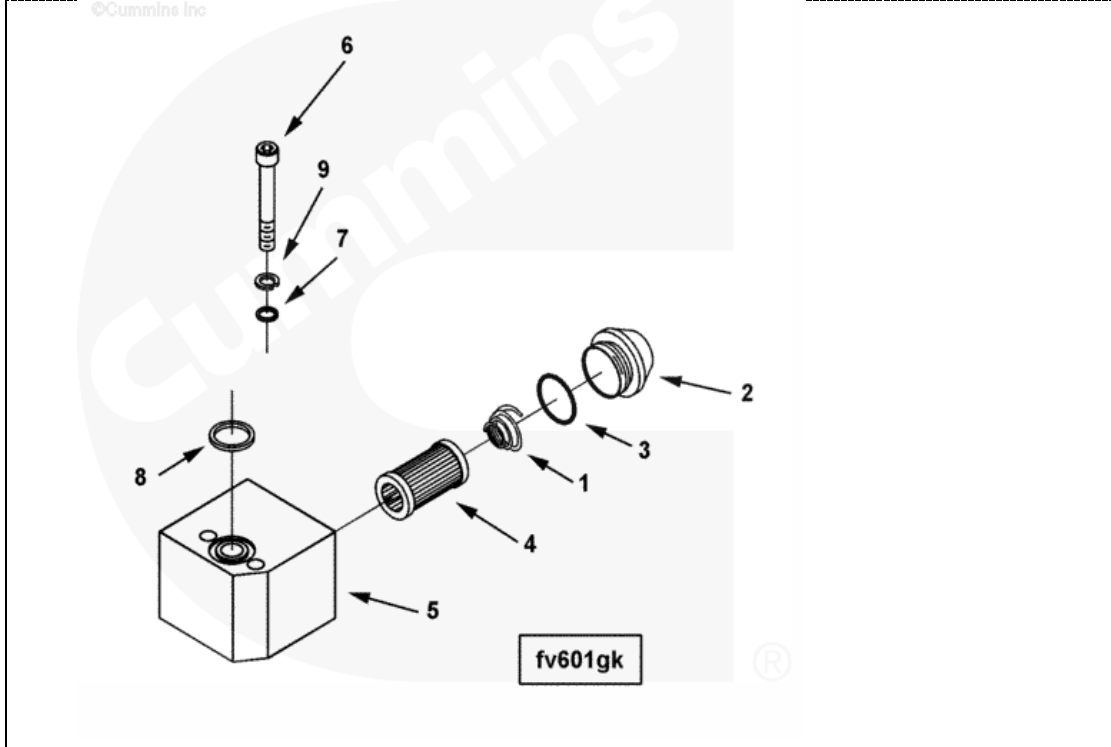


	FF 102	FULE FILTER
	3260634-40	FILTER FUFL MTG
5	68252 A-20	SPACER EXH MANF
	S 689-20	WASHER PLAIN
6	3010595-20	SCREW,CAPTIVE WASHER CAP
7	3250969-20	BRACKET FILTER
3	S 187 A-20	SCREW,HEX HEAD CAP
9	S 602-20	WASHER PLAIN
4	S 609-20	WASHER LOCK
8	3315843-29	FILTER,FUEL
	BM79886-40	FILTER FUEL
1	129859-20	ELBOW,MALE UNOIN
2	212013-20	HEAD FUEL FILTER

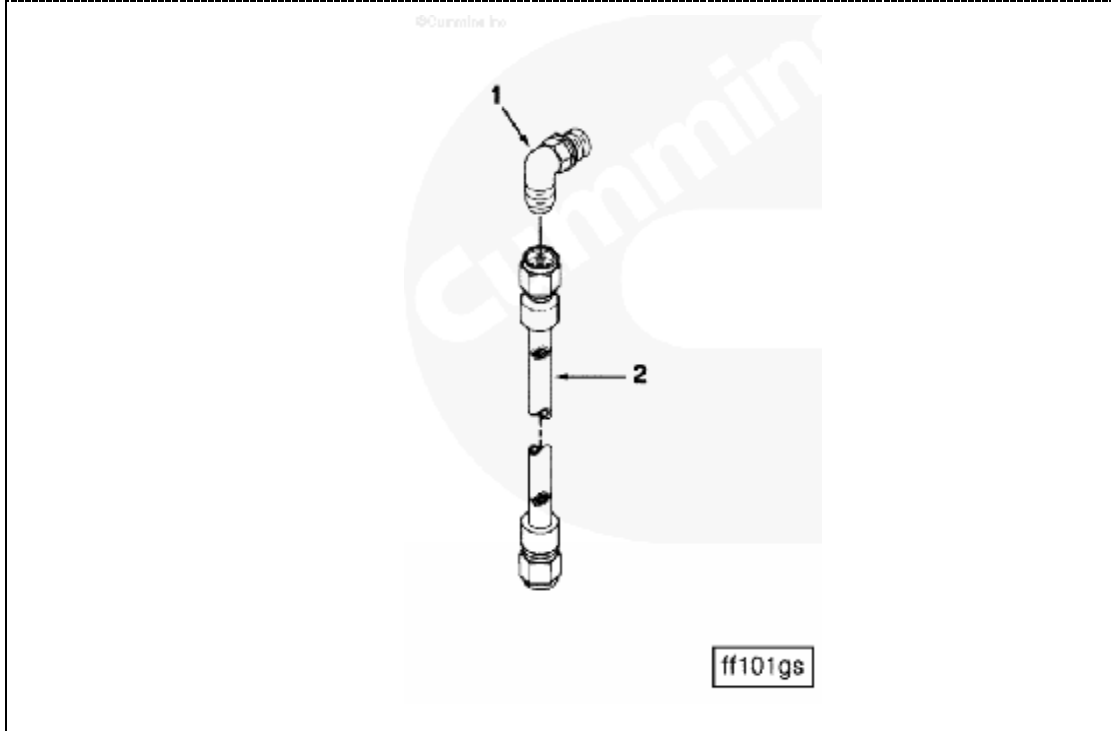


	FF 107	FULF PUMP FILTER
7	67684-20	WASHER PLAIN

8	154087	SEAL RECTANGULAR RING
9	181466-20	WASHER LOCK
	3096079-20	FILTER,FUEL
1	70700	SPRING, COMPRESSION
2	3014575	Cap, Fuel Pump Filter
3	3021123	SEAL O RING
4	3090769	Screen, Filter
5	3090771	Housing, Filter
6	S 189 C-20	SCREW, HEX HEAD CAP

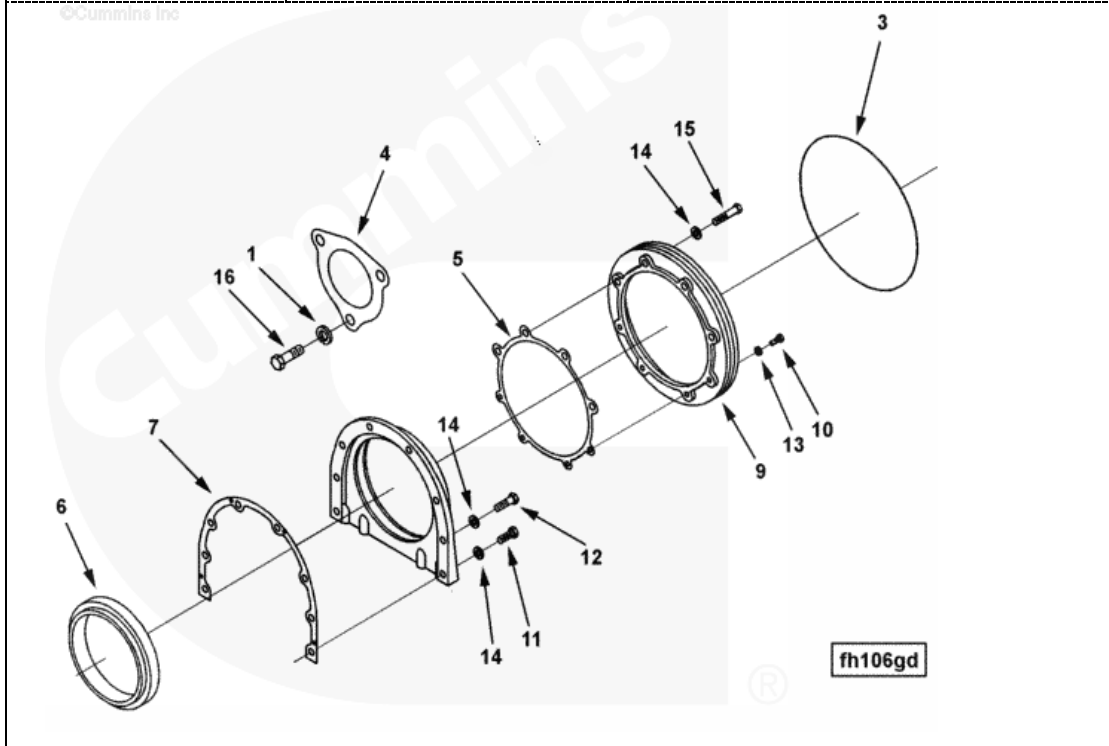


	FF 1707	FUEL FILTER HOSE
1	129859-20	ELBOW, MALE UNOIN
2	AS10020 SS-20	HOSE FLEXIBLE

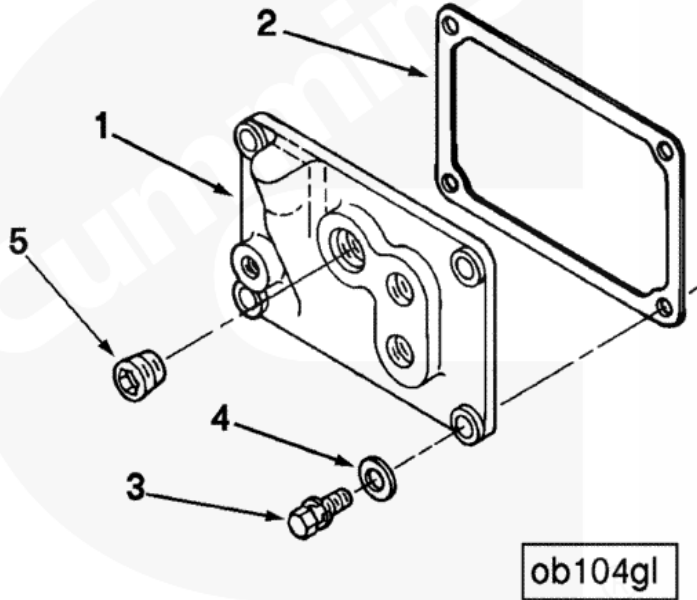


	FH 1400	FLYWHEEL HOUSING
1	S 603-20	WASHER LOCK
3	409191	SEAL O RING

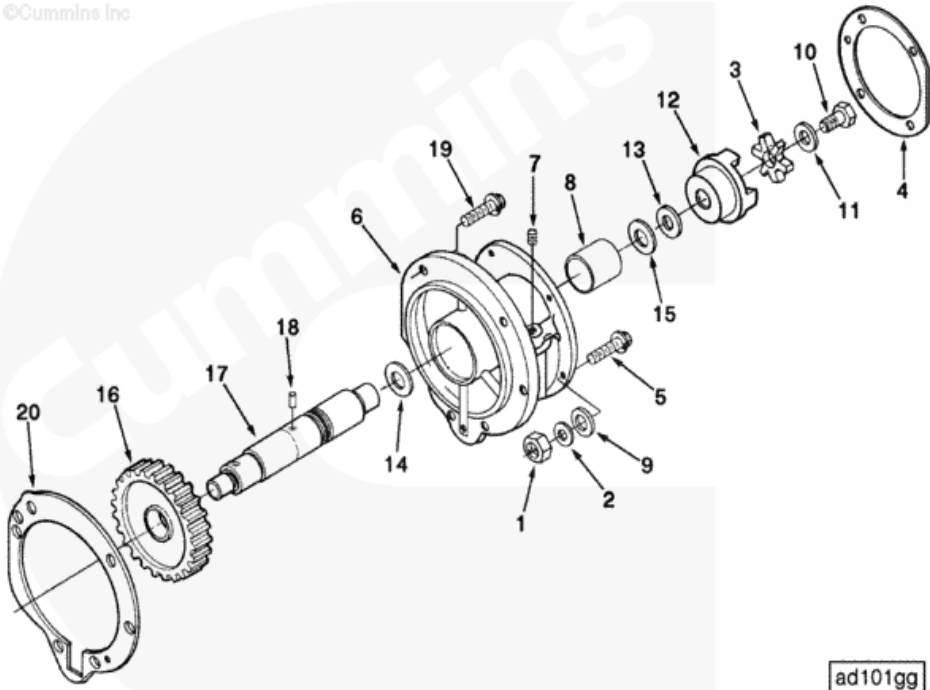
4	3031007-20	GESKET STARTER
16	3165857-20	SCREW
	3260620-40	PLATE REAR COVER
6	3001772	SEAL OIL
8	3350448-20	COVER REAR
	3260621-40	MTG REAR COVER PLATE
7	3067616-20	GASKET,REAR COVER
5	400540-20	GASKET,REAR COVER
9	3655943-20	RETAINER SEAL
10	S 121-20	SCREW,HEX HEADCAP
11	S 129-20	SCREW,HEX HEADCAP
12	S 194-20	SCREW,HEX HEADCAP
13	S 600-20	WASHER LOCK
14	S 604-20	WASHER LOCK
15	106549-20	SCREW,HEX HEADCAP



	FO 1027	HAND HOLE COVER
1	186239-20	COVER HEAD HOLE
	3009581-40	BRACKET OIL GAGE MTG
2	3069097-20	GASKET MADE HOLE
3&4	3010595-20	SCREW,CAPTIVE WASHER CAP
5	3008469-20	PLUG PIPE

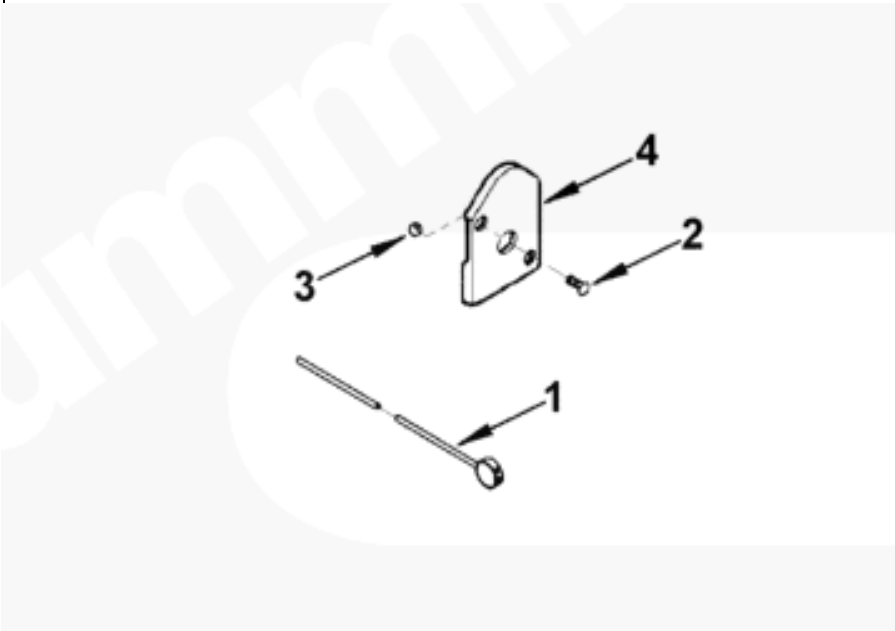


	FP 1519	ACCESSORY DRIVE MTG
	3005131-10	DRIVE ACCESSORY
10	129510-20	SCREW, HEX HEAD CAP
16	142689-20	GEAR ACCESSORY DRIVE
11	170664-20	WASHER PLAIN
17	3000171-20	SHAFT ACCESSORY DRIVE
12	3000175-20	COUPLING, F P DRI
13	3014103-20	WASHER, PLAIN
14	3026556-20	THRUST
15	3026557-20	BEARING, TRUST
18	3034438-20	DOWEL PIN
6	AR45728-40	HOUSING ACCESSORY
8	116391-20	BUSHING
	3002170-20	SUPPORT FUEL PUMP
7	S 911 B-20	PLUG PIPE
	3007821-40	MTG ACCESSORY DRIVE
19	3010590-20	SCREW CAPTIVE WAS
20	3076225-20	SHIM
	BM95029-40	PUMP FUEL MTG
2	69324-20	WASHER PLAIN
3	3046200-20	SPIDER JAW COUPLING
5	3818599-20	SCREW
4	4026171	GASKET, FUEL PUMP
1	S 274-20	NUT HEAVY HEXAGON
9	S 690-20	WASHER PLAIN



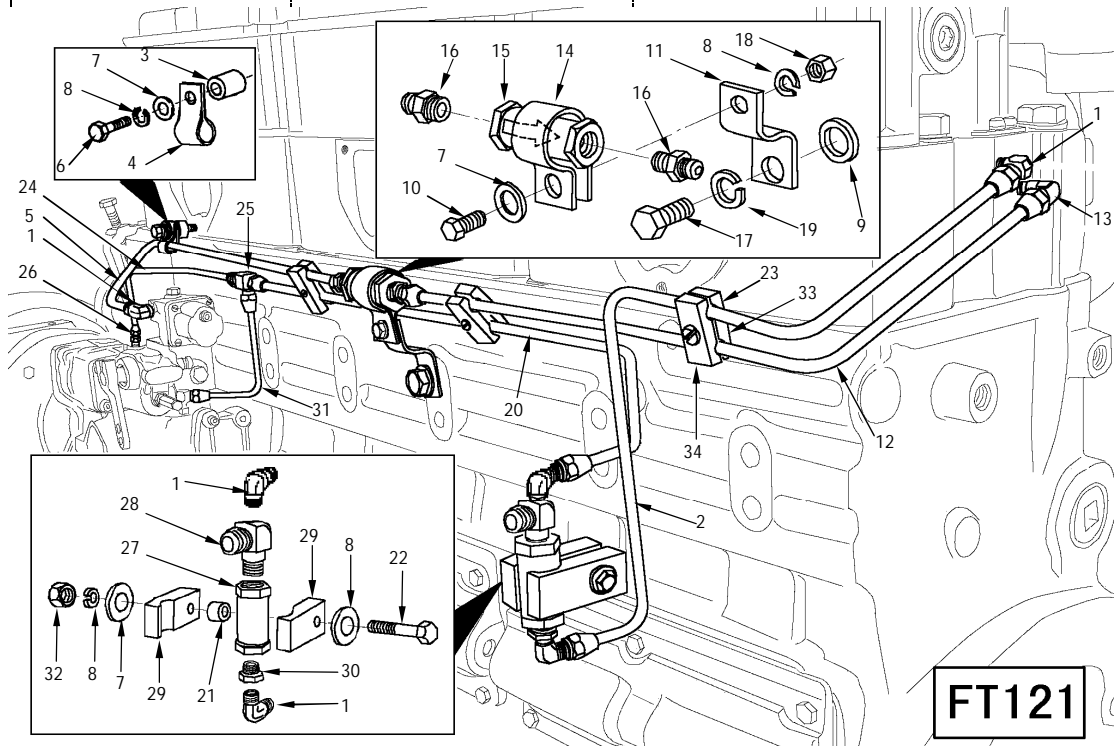
ad101gg

	FP 1647	SEAL
	4915246-10	SEAL, FUEL PUMP
3	213769	PLUG BALL
4	3000446-20	COVER FUEL CONTROL
1	3003156-20	SEAL WIRE
2	S 2286-20	SCREW DRIVE

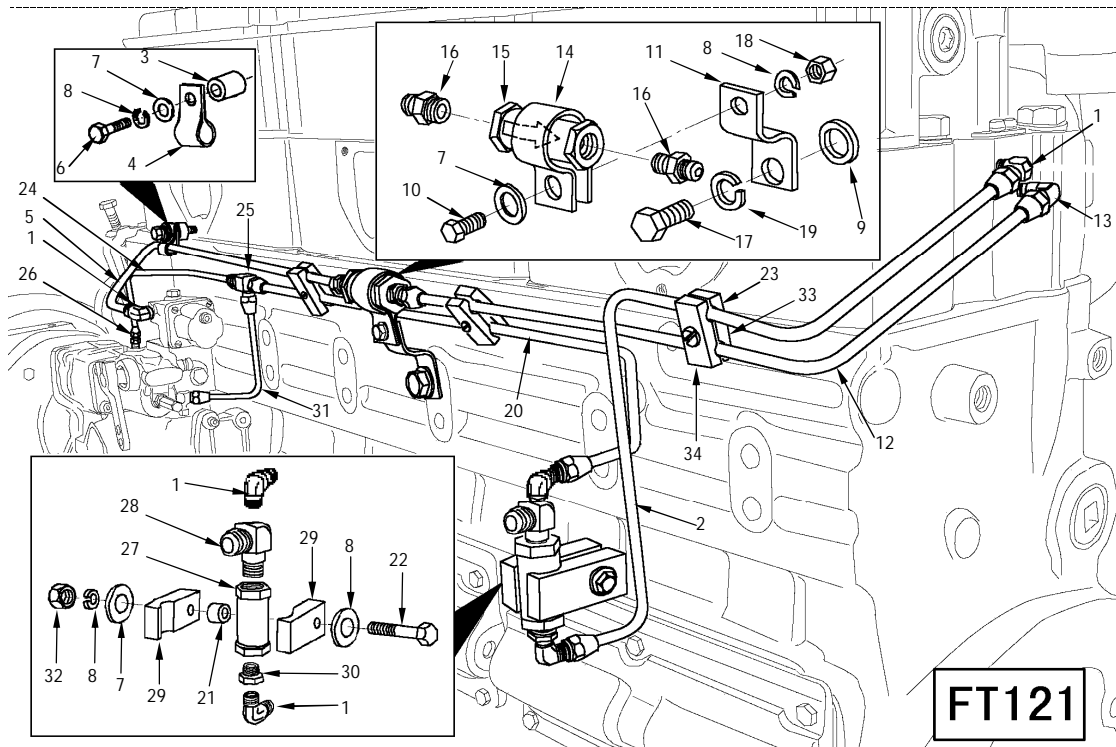


	FT 116	PLUMBING
1	116936-20	ELBOW MALE ADAPTER
2	3165641-20	TUBE FUEL DRUIN
	3166082-40	MTG.TUBE FUEL
3	63385-20	SPACER
4	180372-20	CLIP
5	3165639-20	TUBE FUEL SUPPLY
6	S 137-20	SCREW, HEX HEAD CAP
7	S 602-20	WASHER PLAIN

8	S 604-20	WASHER LOCK
20	3251002-20	TUBE FUEL DRAIN
	4061471-40	NTG.FUEL SUPPLY
9	65434-20	SPACER MOUTING
10	69793-20	SCREW,HEX HEAD CAP
11	113710-20	BRACKET OIL GAUGE
12	3165640-20	TUBE FUEL SUPPLY
13	3165835-20	ELBOW ADAPTER
	4915073-10	VALVE,CHECK
14	107460-20	CLIP
15	185505-20	VALVE CHECK
16	3165864-20	ADAPTER
17	S 151 C-20	SCREW,HEX HEAD CAP
18	S 205-20	NUT REGULAR HEXAGON
7	S 602-20	WASHER PLAIN
8	S 604-20	WASHER LOCK
19	S 609-20	WASHER LOCK

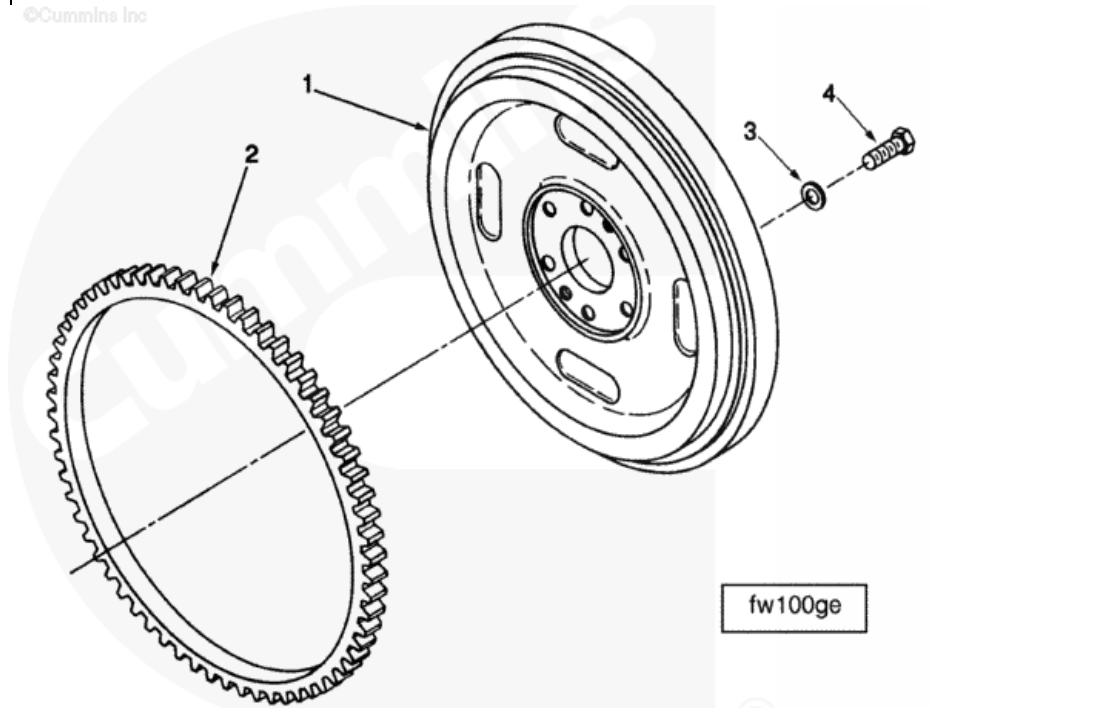


	4061549-40	OIL TUBE
21	68368 B-20	SPACER
1	116936-20	ELBOW MALE ADAPTER
22	177020-20	SCREW HEXAGON HEAD CAP
23	3007025-20	CLIP
	3165451-20	BRACKET FILTER
	3165644-40	VALVE CHECK
25	68139-20	BLBOW MALE ADAPTE
28	116473-20	ELBOW
1	116936-20	ELBOW MALE ADAPTER
27	178079-20	VALVE CHECK
29	3165643-20	CLAMP
30	S 929 B-20	BUSHING REDUCING PIPE
17	S 151 C-20	SCREW,HEX HEAD CAP
32	S 223-20	NUT HEAVY HEXAGON
33	S 251-20	NUT REGULAR HEXAGON JAM
7	S 602-20	WASHER PLAIN
8	S 604-20	WASHER LOCK
19	S 609-20	WASHER LOCK
	S 1315-20	SCREW PAN HEAD



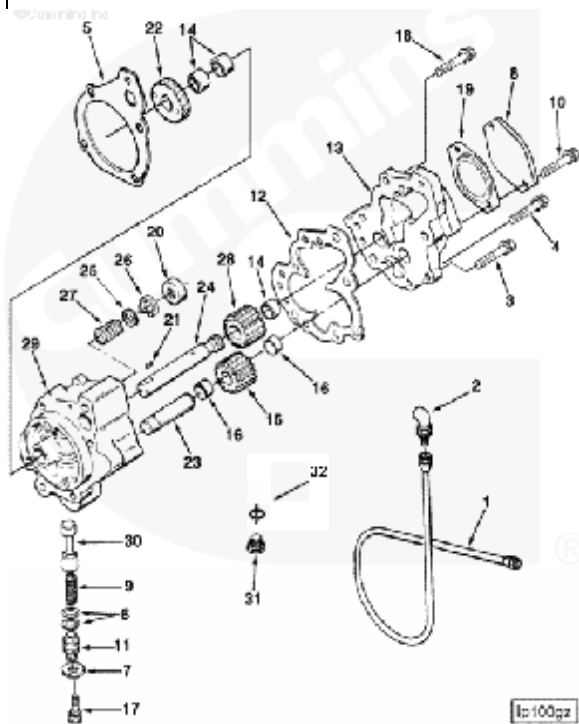
	FW 1007	FLYWHEEL
	3251188-20	FLYWHEEL
1	425710-20	FLYWHEEL
2	422350-20	Gear, Flywheel Ring
	FW1400	FLYWHEEL MTG
3	200861	WASHER PLAIN
4	213883	SCREW, HEX HEAD CAP

©Cummins Inc

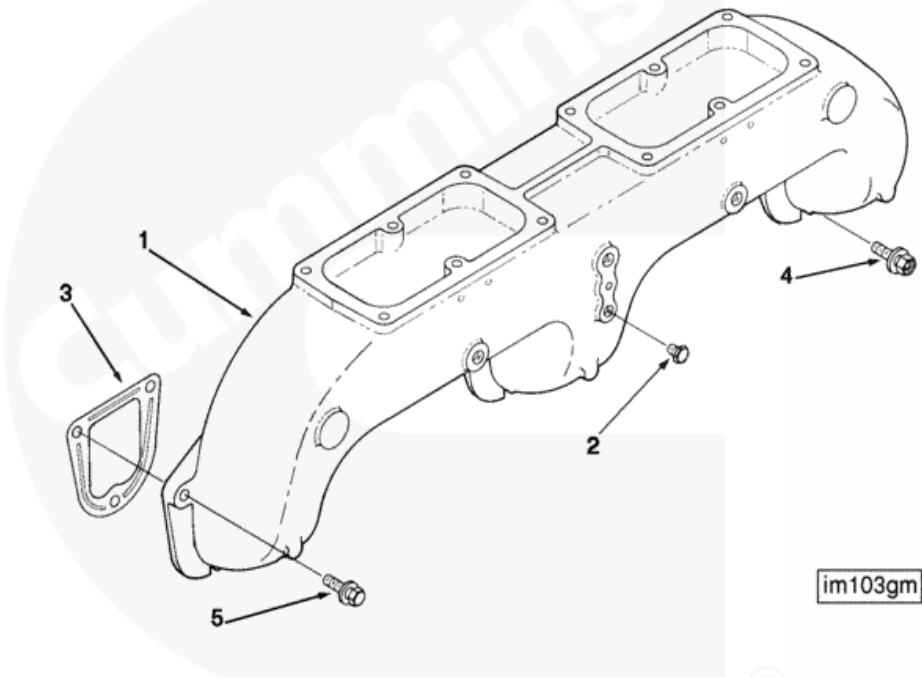


	HD 1056-40	LUB OIL PUMP
	3019561 CE-40	TUBE PRESSURE SENSING
1	3044849-20	TUBE PRESSURE SENSING
2	3165878-20	ADAPTER
	3032267 CE-40	MTG.OIL PUMP
5	3067613-20	GASKET LUB OIL PUMP
	3821579-10	PUMP LUB OIL
6	145504	SEAL O RING

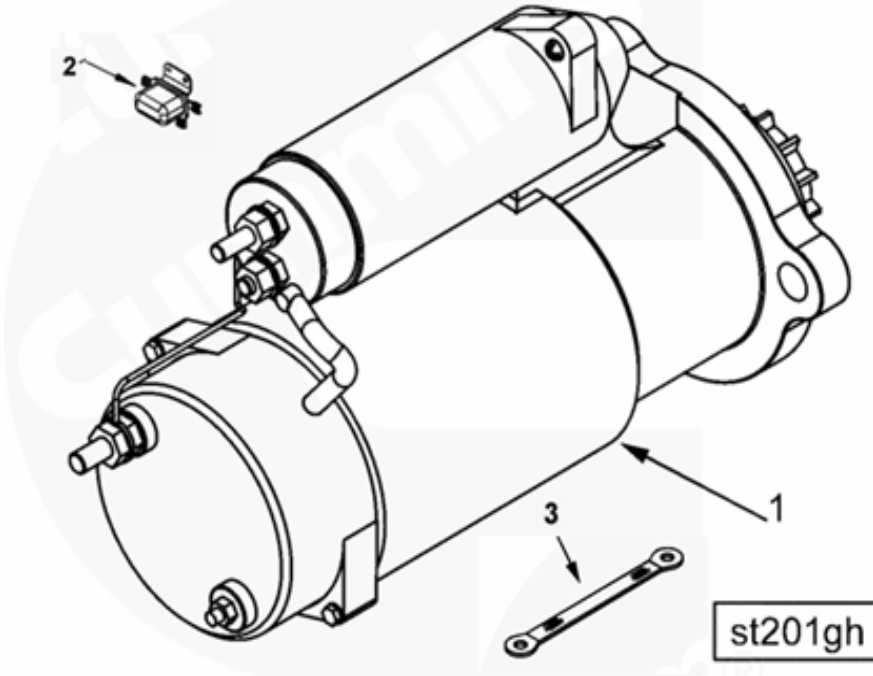
7	146161-20	WASHER PLAIN
8	204048-20	PLATE COVER
19	3004242-20	GASKET HYD PUMP COVER
9	3010146	SPRING COMPRESSION
10	3010595-20	SCREW,CAPTIVE WASHER CAP
11	3012726-20	PLUG RETAINING
12	3014778	GASKET LUB OIL PUMP COVE
13	3014964-10	COVER LUB OIL PUMP
14	69521-20	BUSHING
	3014777-10	COVER LUB OIL PUMP
15	3014965-10	GEAR LUB OIL PUMPING
16	68365-20	BUSHING
	3014784-20	GEAR LUB OIL PUMPING
17	3022589-20	SCREW CAPTIVE WASHER
18	3022590-20	SCREW CAPTIVE WASHER
	3165514-20	NAMEPLATE
	3821578-10	PUMP LUBRICATING OIL
	69519-20	DOWEL PIN
21	183695-20	KEY,PLAIN WOODRUFF
22	204832-20	GEAR LUBRICATING OIL PUM
23	3012531-20	SHAFT IDLER
24	3012532-20	SHAFT LUB OIL PUMP DRIVE
25	3014754-20	WASHER PLAIN
26	3014755-20	DISC VALVE
27	3014756	SPRING COMPRESSION
28	3014783-20	GEAR LUB PUMPING
29	3821577-10	BODY LUBRICATING OIL PUM
30	3884126-20	PLUNGER PRS REGULATOR
3	S 108 A-20	SCREW,HEX HEAD CAP
2	S 142 A-20	SCREW HEXAGON HEAD
	S 610-20	WASHER LOCK
31	3040813-20	PLUG THREADED
32	3037537	SEAL O RING



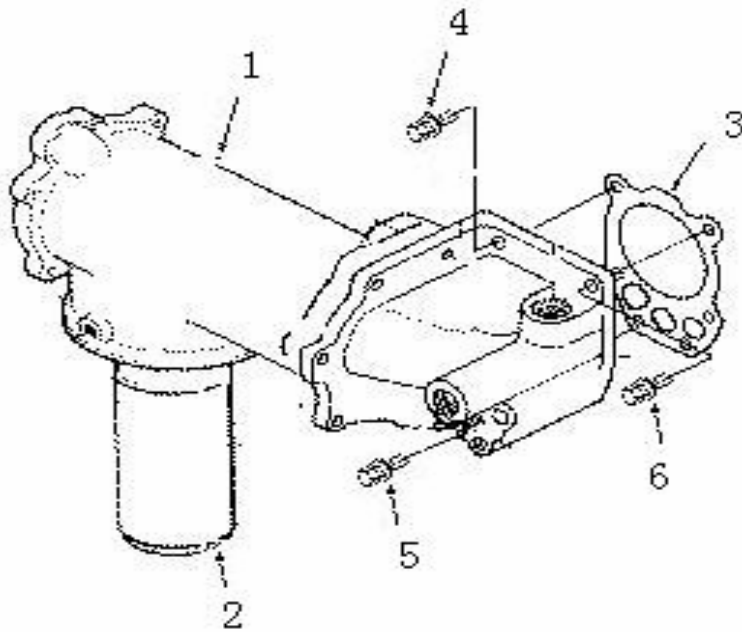
	IM 1081	AIR INTAKE MANIFOLD
	3261151-40	MTG AIR MANIFOLD
2	70295-20	PLUG PIPE
3	3008591-20	GASKEK
4	3011715-20	SCREW CAPTIVE WASHER CAP
5	3011716-20	SCREW CAPTIVE WAS
1	3325483-20	TUBE,AIR INLET



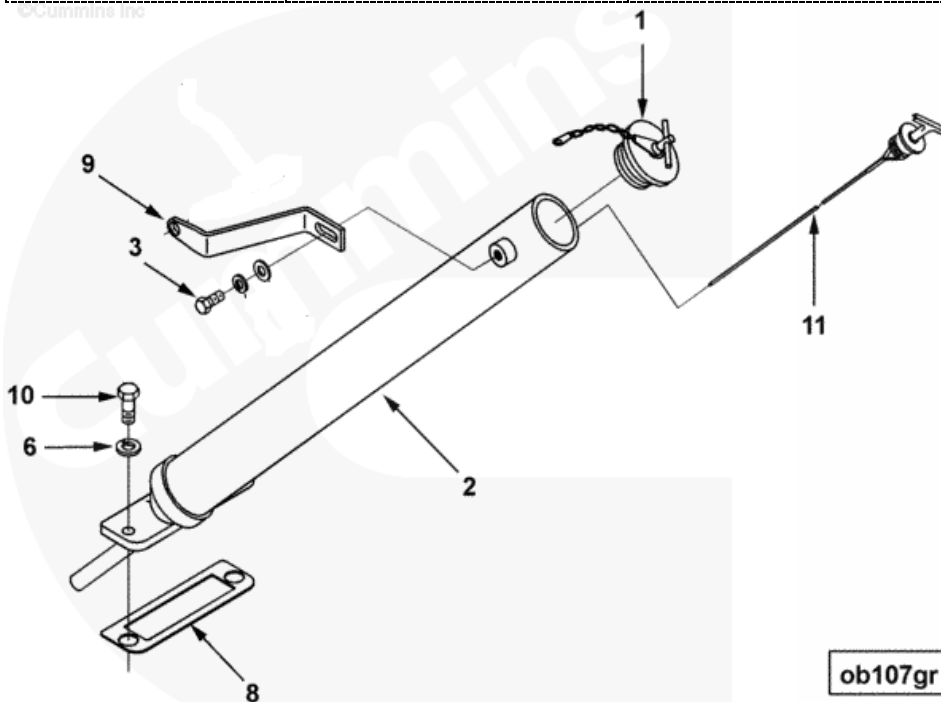
	KIT1277	KIT
	405250-20	ELBOW MALE ADAPTE
1	3103950	MOTOR, STARTING
2	3006300-20	RELY
3	3018924-20	WIRE GROUND
	3325963-20	BELT FAN



	LF 106	OIL COOLER
	3031956-40	COOLER LUB OIL MTG
3	3008017-20	GASKET, OIL COOLER SUPPORT
4	3010596-20	SCREW CAPTIVE WASHER CAP
5	3010597-20	SCREW CAPTIVE WASHER CAP
6	3044901-20	SCREW CAPTIVE WAS
2	3401544-29	ELEMENT, LUB OIL FILTER
1	4915285-20	OIL COOLER

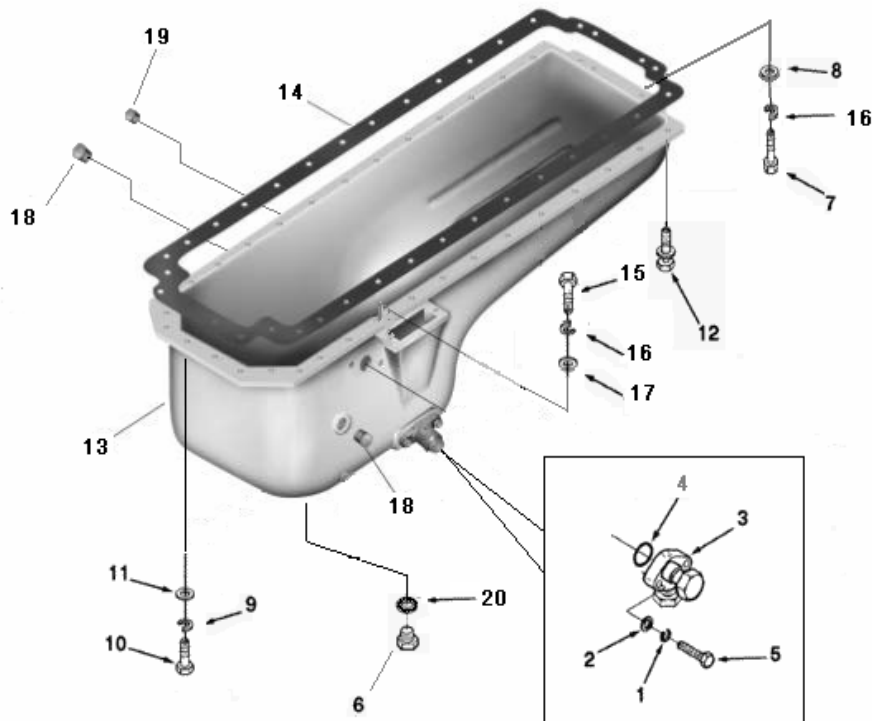


	OB 1142	OIL DIPSTICK & GAUGE
1	3418519-20	CAP, FILLER
2	3250939-20	BRACKET OIL TUBE
	3260633-40	MTG DIPSTICK & FI
8	421541-20	GASKET OIL GAUGE
3	3038076-20	SCREW
9	3251004-20	BRACE TUBE
10	3335005-20	SCREW, HEX HEAD CAP
6	S 608-20	WASHER LOCK
11	3326078-20	LIPSTICK

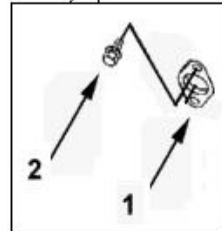
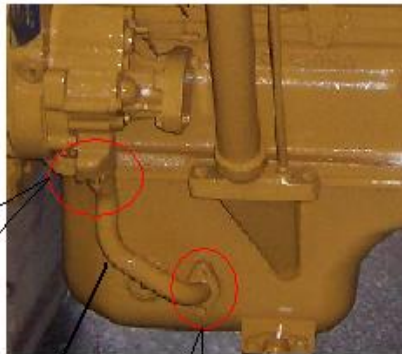
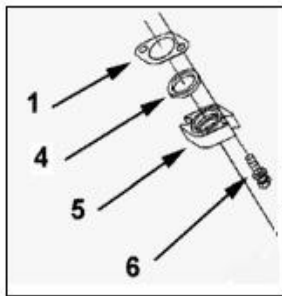


	OP 103	OIL PAN
	3655199-40	OIL PAN
1	3165957-20	WASHER PLAIN
2	3165976-20	WASHER LOCK
3	3325064-20	VALVE SHUTOFF
4	3655315-20	SEAL O RING

5	3335003-20	SCREW,HEX HEAD CAP
6	3046942-20	PLUG PIPE
20	3046943	SEAL O RING
13	3655194-20	IOL PAN
18	3008470-20	PLUG PIPE
19	4931643-20	PIPE PLUG
	4915094-10	OIL PAN
7	S 142-20	SCREW,HEX HEAD CAP
8	104856-20	SPACER
10	103009-20	SCREW,HEX HEAD CAP
9	S 610-20	WASHER LOCK
11	S 622-20	WASHER PLAIN
12	3008069-20	SCREW CAPTIVE WAS
14	3099083-20	GASKET OIL PAN
15	3335001-20	SCREW,HEX HEAD CAP
16	S 605-20	WASHER LOCK
17	3600283-20	WASHER,PLAIN

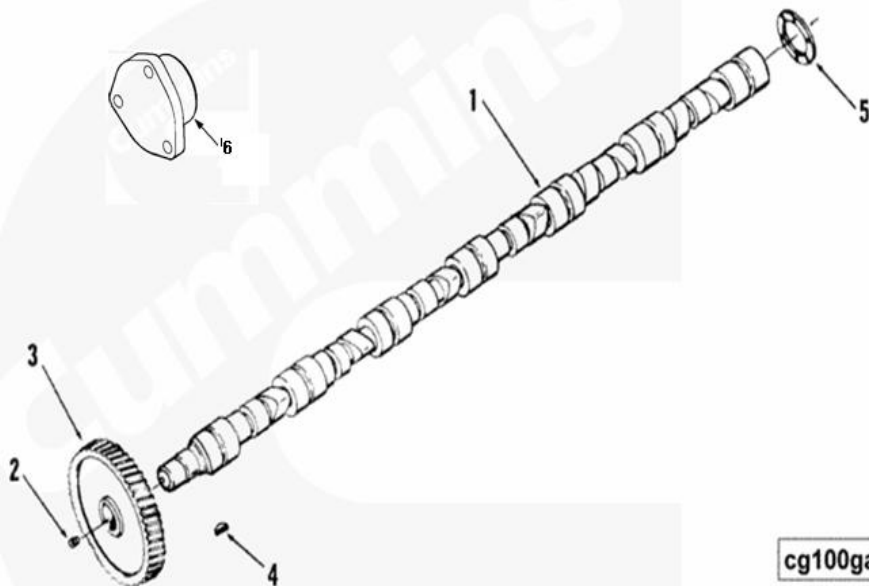


	OP 180	TUBE,LUBE OIL SUCTION
1	157551-20	GASKET OIL SUC
2	3010595-20	SCREW,CAPTIVE WASHER CAP
5	3034830-20	RETAINER SEAL
4	3034986	SEAL RECTANGULAR RING
6	3035624-20	SCREW CAPTIVE WAS
3	4914097-20	TUBE,LUB OIL TRANSFER



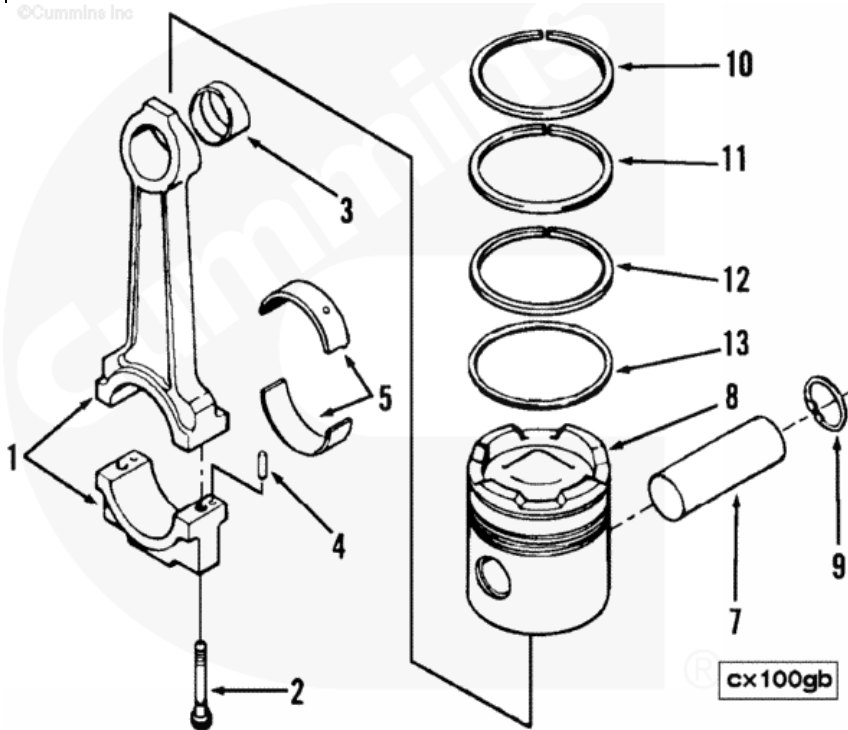
	PPCQ104 3029652-40	PARTS, PERFORMANCE CAMSHAFT
2	68193-20	PLUG PIPE
4	3021601-20	KEY PLAIN WOODRVF
3	3035195-20	GEAR CAMSHAFT
1	3042568-20	CAMSHAFT
5	215233-20	BEARING, THRUST
6	3008530-20	SUPPORT CAMSHAFT THRUST

©Cummins Inc

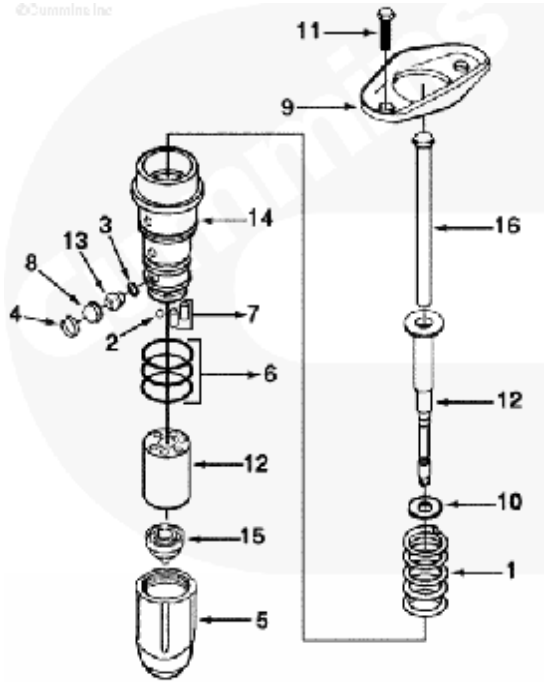


	3019508-40	PISTON & CONNROD
9	175755-20	RING RETAINING
7	191970-10	PIN PISTON
5	214950-20	BEARING, ROD
	3013930-10	ROD ENGINE CONNECTING
4	70550-20	PIN
3	187420-20	BUSHING, ROD

1	218808-10	ROD ENGINE CONNECTION
2	219153-20	BOLT, CONNECTING ROD
8	3017348-20	PISTON ENGINE
	4089810	KIT, RING
10	3103157	RING, COMPRESSION
11	3103158	RING, COMPRESSION
12	3103159	RING OIL PISTON
13	4058969	RING OIL PISTON

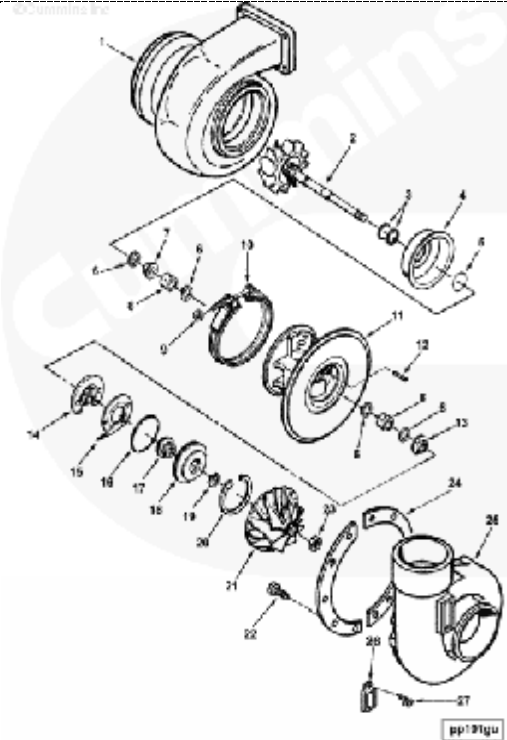


	3054218-20	INJECTOR
1	166009	Spring, Compression
2	167157	Ball, Check
3	173086	Gasket, Injector
4	174299	Retainer, Screen
5	185138	Retainer, Injector Cup
6	193736	O SEAL RING
7	203426	Pin, Roll
8	3008706	Screen, Filter
12	3047964	Barrel & Plunger
13	3045047	Plug, Injector Orifice
14	185139	Adapter, Injector
15	3012536	Cup, Injector
	3032392-40	MTG INJECTOR
10	180626-20	WASHER INJECTOR CLAMPING
16	191916-20	LINK INJECTOR PLUNGER
11	3028279-20	SCREW, HEX HEAD CAP
9	3031137-20	CLAMP INJECTOR

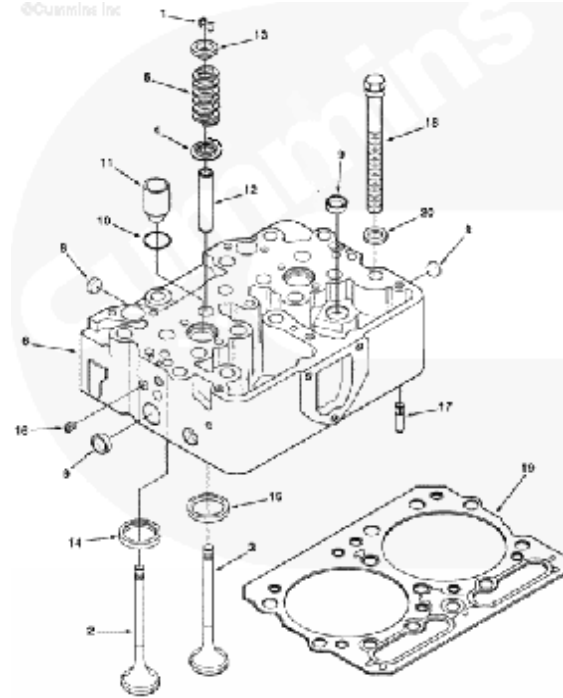


fi100go

	3529041-20	TURBOCHARGER
		TURBOCHARGER
		HOUSING, TURBINE
1	3521838	HOUSING, TURBINE
2	3594952	SHAFT & WHEEL
3	3521441	SEAL, SPLIT RING
4	3519155	SHIELD, TURBOCHARGER HEA
5	3521442	SEAL, SPLIT RING
6	3709510	RING, RETAINING
7	3757753	SLEEVE, OIL CONTROL
8	3722366	BEARING, TURBOCHARGER
9	3529372	NUT, REGULAR HEXAGON
10	3504959	CLAMP, V BAND
	3522740	HOUSING, TUR BEARING
11	3522416	HOUSING, TUR BEARING
12	3756135	PIN, ROLL
13	3521440	COLLAR, THRUST
14	3536075	BEARING, TUR THRUST
15	3529658	BAFFLE, OIL
16	3751948	SEAL, O RING
17	3521439	SLINGER, OIL
18	3759618	PLATE, OIL SEAL
19	3718373	RING, RETAINING
20	3723863	RING, RETAINING
21	3527047	IMPELLER, TUR COMPRESSOR
22	3526653	SCREW, CAPTIVE WASHER CA
23	3519471	NUT, LOCK
24	3520981	PLATE, CLAMPING
25	3529016	HOUSING, COMPRESSOR
26	3527619	DATAPLATE
27	3519163	SCREW, DRIVE

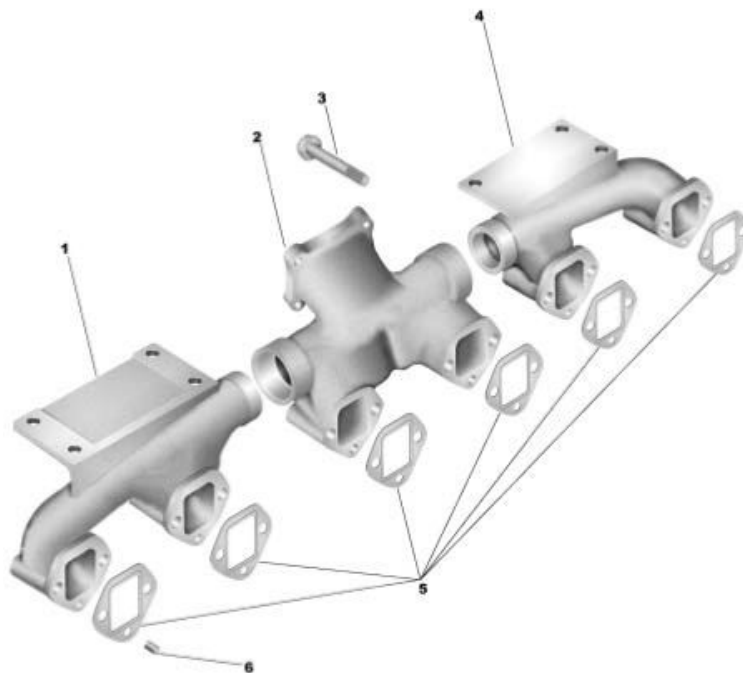


	4061141-20	CROSSHEAD VALVE
	4915442-10	HEAD CYLINDER
1	127554	COLLET VALVE
3	135957-20	VALVE INTAKE
2	145701-20	VALVE EXHAUST
13	170296-20	GUIDE VALVE SPRING
5	211999	SPRING VALVE
4	4913845-20	GUIDE VALVE SPRING
6	4915441-10	HEAD CYLINDER
	67861-20	PLUG PIPE
14	127930-20	INSERT, VALVE EXHAUST
15	200354-20	RETAINER, VALVE INTAKE
12	3006456-20	GUIDE VALVE STEM
10	3007759	SEAL O RING
	3008469-20	PLUG PIPE
	3008470-20	PLUG PIPE
11	3406702-20	SLEEVE CU
6	4913691-10	HEAD CYLINDER
16	S 911 B-20	PLUG PIPE
	3027340 CE-40	HEAD CYLINDER MTG
20	69699-20	WASHER PLAIN
18	3013623-20	SCREW, HEX HEAD CAP
19	4058790-20	GASKET CYLINDER



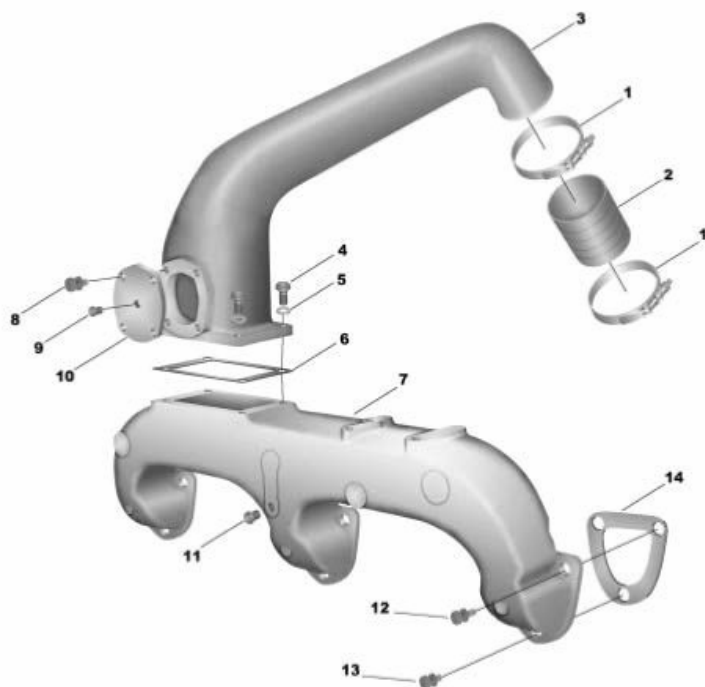
km 009c

	TB 116	EXHAUST MANIFOLD MTG
1	3165310-20	MANIFOLD EXHAUST
4	3165312-20	MANIFOLD EXHAUST
2	3252046-20	MANIFOLD EXHAUST
	4915479-40	EXHAUST MOUNTING
5	142234-20	GASKET EXHAUST MANI
6	105199-20	PIN GROOVE
3	3043647-20	SCREW,HEX HEAD CAP

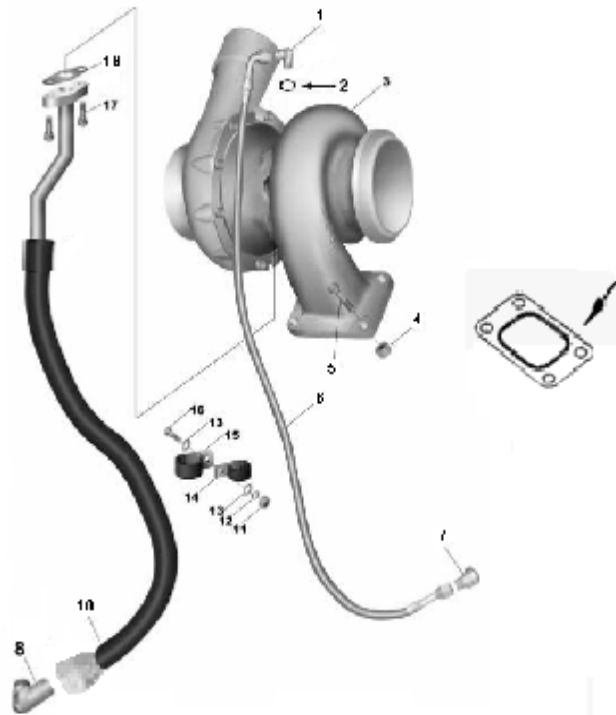


	3260623-40	CONNECTION AIP CROSSOVER
2	202994-20	HOSE PLAIN
1	208326-20	CLAMP T BOLT
	417370-20	GASKET COVER PLATE
4	3011715-20	SCREW CAPTIVE WASHER CAP
6	3012972-20	GASKET,INTAKE MANIFOLD
10	3326188-20	PLATE COVER

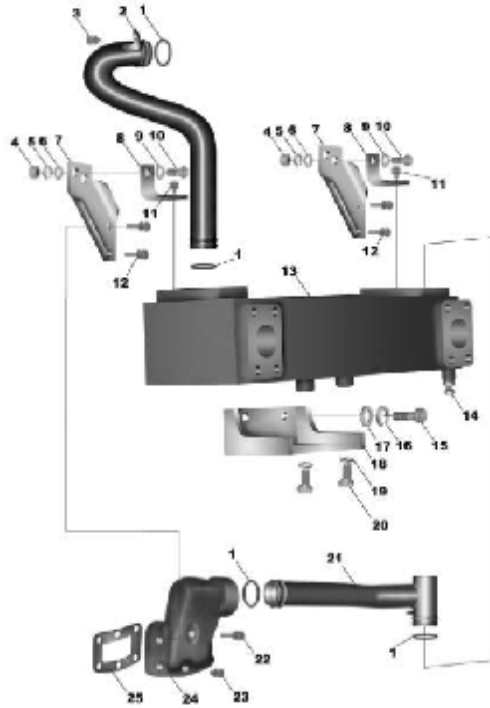
8	3335041-20	SCREW,HEX HEAD CAP
	S 605-20	WASHER LOCK
9	S 911 B-20	PLUG PIPE
3	3418722-20	CONNECTION AIR CROSSOVER



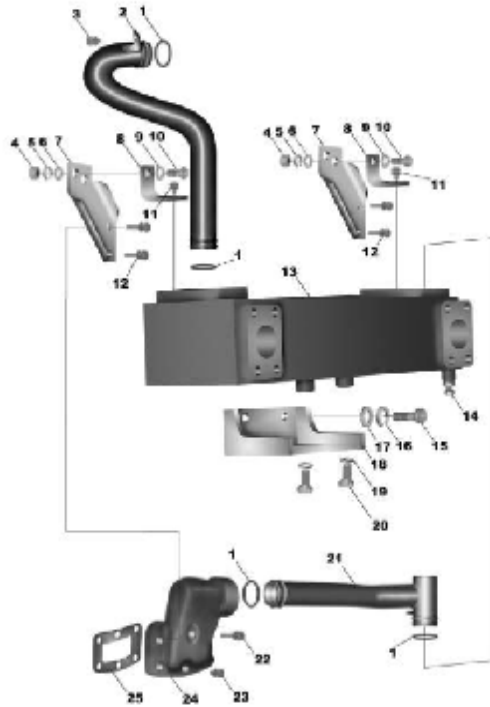
5	113226-20	SCREW,HEX HEAD CAP
4	219138-20	NUT,REGULAR HEXAGON
9	3069177-20	GASKET
	4061452-40	TURBOCHARGER PLUMBING
1	3037535-20	ELBOW,MALE UNION
2	3037537	SEAL,O RING
6	209958-20	HOSE,FLEXIBLE
7	68645-20	ELBOW MALE ADAPTER
8	4913978-20	ADAPTER,ELBOW MALE
10	4914213-20	TUBE,OIL DRAIN
11	S 205-20	NUT REGULAR HEXAGON
12	S 604-20	WASHER LOCK
13	S 602-20	WASHER PLAIN
	67950-20	CLIP
	69465-20	CLIP
	108722-20	CLIP
16	69793-20	SCREW,HEX HEAD CAP
17	3010596-20	SCREW CAPTIVE WASHER CAP
18	3202117-20	GASKET CONNECTION



	TC 111	LUB OIL COOLER
14	107947-20	PECOCK
13	4061161-20	COOLER LUB OIL TC
	4061381-40	MTG,TUBE WTR TRANSFER
1	43463 A	SEAL O RING
	214617-20	CLAMP TUBE
3	3022589-20	SCREW CAPTIVE WASHER
2	4061380-20	TUBE,WATER OUTLET
	4061538-40	BRACE T.C COOLER
	108330-20	WASHER PLAIN
	214617-20	CLAMP TUBE
20	3010596-20	SCREW CAPTIVE WASHER CAP
	3022589-20	SCREW CAPTIVE WASHER
18	4061178-20	BRACE T.C COOLER
15	S 113-20	SCREW,HEXAGON HEAD CAP
	S 602-20	WASHER PLAIN
	S 608-20	WASHER LOCK
	S 670-20	WASHER PLAIN
	4061539-40	BRACE T.C COOLER
10	3021470-20	SCREW CAPTIVE WASHER CAP
7	4061179-20	BRACET, COOLER
8	4061180-20	THROTTL
12	S 105 C-20	SCREW,HEX HEAD CAP
10	S 172 B-20	SCREW HEXAGON HEAD
4	S 223-20	NUT HEAVY HEXAGON
5	S 600-20	WASHER LOCK
6	S 602-20	WASHER PLAIN
9	S 604-20	WASHER LOCK

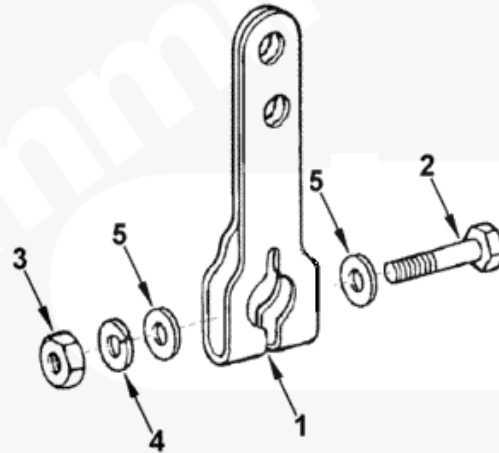


	4061540-40	CONNECTION WATER OUTLET
1	43463 A	SEAL O RING
25	3069098-20	GASKET COVER PLATE
	127018-20	WASHER PLAIN
	3021470-20	SCREW CAPTIVE WASHER CAP
24	3035368-20	CONNECTION WATER OUTLE
21	4061162-20	TUBE WTR TRANSFER
22	S 156 B-20	SCREW,HEX HEAD CAP
23	S 168 C-20	SCREW,HEX HEAD CAP
	S 600-20	WASHER LOCK



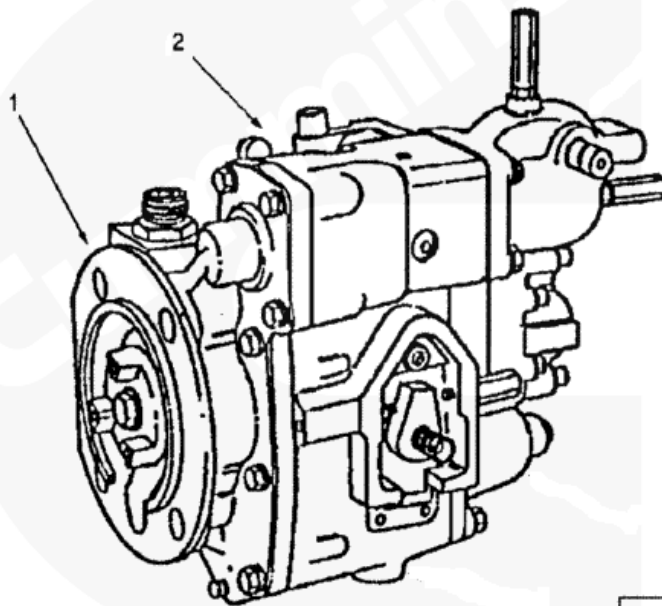
	TL 8005	THROTTLE LEVER
	BM73106-40	LEVER THROTTLE
1	44680-20	LEVER THROTTLE
5	70704-20	WASHER PLAIN
2	S 159 B-20	SCREW,HEX HEAD CAP
3	S 270-20	NUT REGULAR HEXAGON

©Cummins Inc



	TLN1212	FUEL,PUMP
1	3165437-20	PUMP FUEL (TLN)
2	3018453-20	VALVE,FUEL SHUTOFF

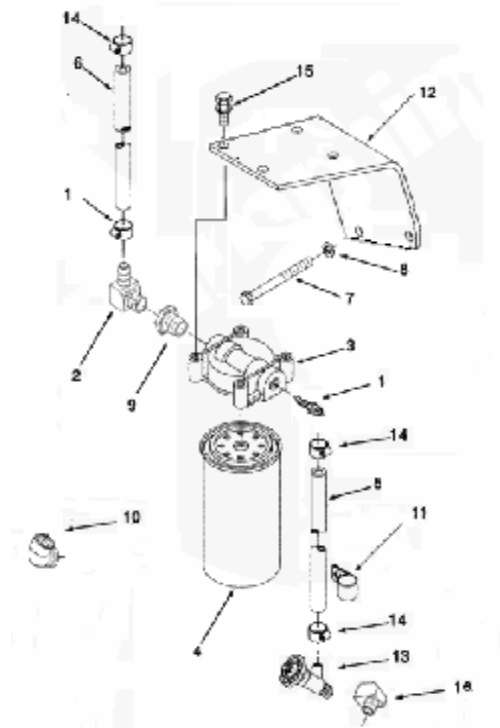
©Cummins Inc



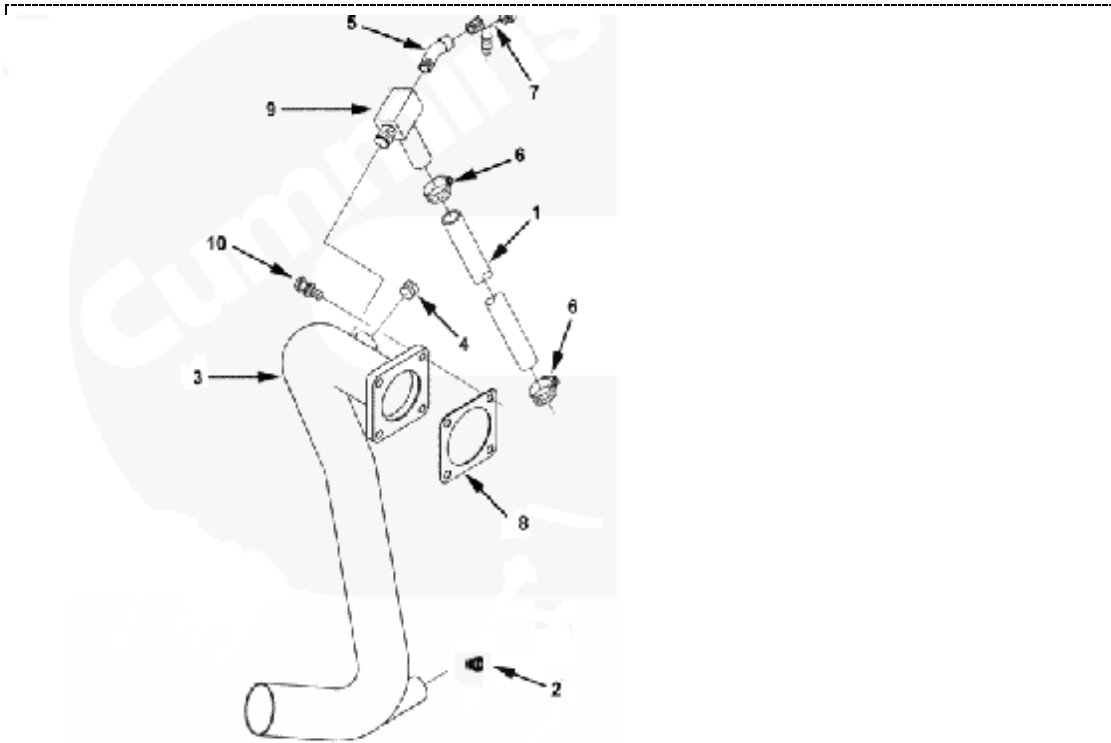
fp401gd

	WF_107	CORROSION RESISTOR
5	179915-20	HOSE
6	179917-20	HOSE
	4061511-40	MTG,RESISTOR CORROSION
11	69911 A-20	CLIP
13	179901-20	VALVE SHUTOFF
14	179904-20	CLAMP HOSE
15	3010596-20	SCREW CAPTIVE WASHER CAP
12	3325493-20	BRACKET CRN RESISTOR
16	4060794-20	ADAPTER
7	S 199 A-20	SCREW,HEX HEAD CAP

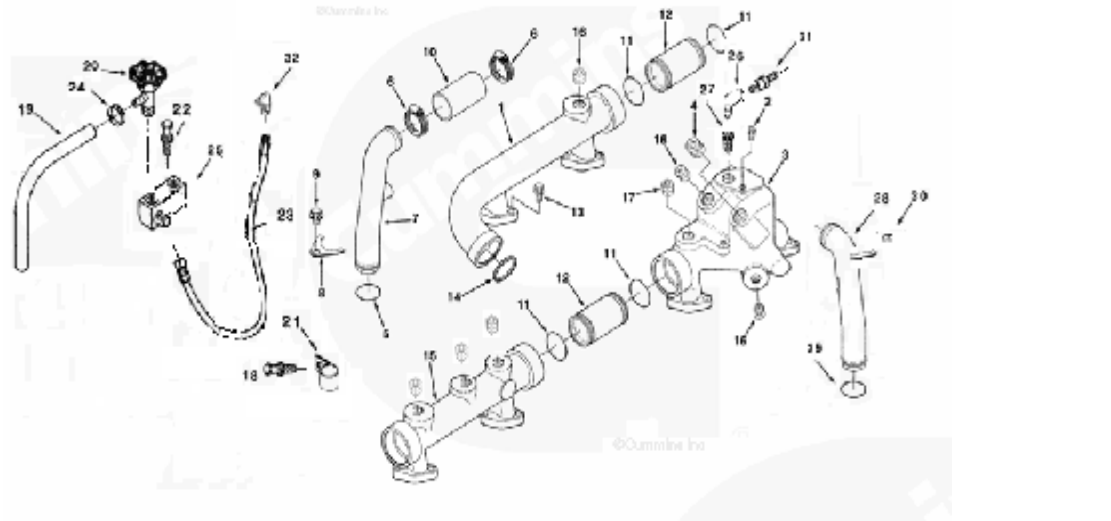
8	S 604-20	WASHER LOCK
	AR11777-40	CORROSION RESISTOR
1	179902-20	COUPLING PLAIN HOSE
2	179903-20	COUPLING ELBOW HOSE
9	187317-20	ADAPTER PLAIN
	3827107-10	RESISTOR, CORROSION
3	204163-20	HEAD CORROSION RESISTOR
4	4058965-29	RESISTOR, CORROSION



	WI 1039	WATER INLET CONN
	3260628-40	CONNECTION, WATER INLET
7	179901-20	VALVE SHUTOFF
6	179904-20	CLAMP HOSE
1	179913-20	HOSE
9	403520-20	TEE MALE BRANCH PIPE
10	3010596-20	SCREW CAPTIVE WASHER CAP
8	3024960-20	SHIM
3	3326208-20	CONNECTION WATER INLET
4	4931643-20	PIPE PLUG
2	S 921 D-20	BUSHING, REDUCING PIPE
5	S 973-20	ELBOW PLAIN STREET PIPE

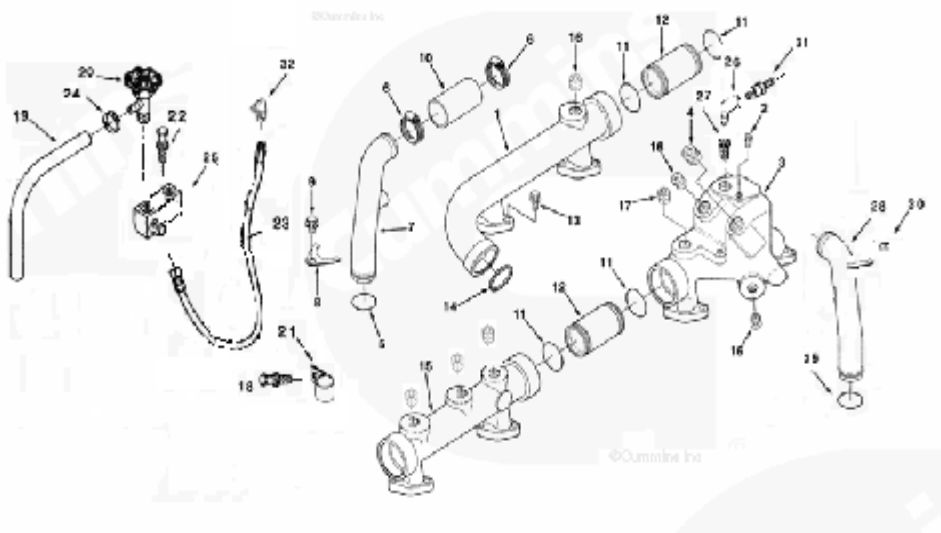


	WM_111	WATER MANIFOLD
31	179902-20	COUPLING PLAIN HOSE
3	3165314-20	MANIFOLD WATER
	3165317-40	TUBE WATER TRANSFER
29	212161	SEAL O RING
28	3165315-20	TUBE WATER TRANSFER
30	S 626-20	WASHER PLAIN
1	3251003-20	MANIFOLD WATER
	3261101-40	DRAIN WATER
22	70896-20	SCREW,HEX HEAD CAP
20	179901-20	VALVE SHUTOFF
24	179904-20	CLAMP HOSE
19	179912-20	HOSE
21	3009101-20	CLIP
18	3012473-20	SCERW CAPTIVE WAS
25	3655907-20	CONNECTOR, MALE
23	AS 6019 MS-20	HOSE FLEXIBLE
	S 608-20	WASHER LOCK
	S 670-20	WASHER PLAIN

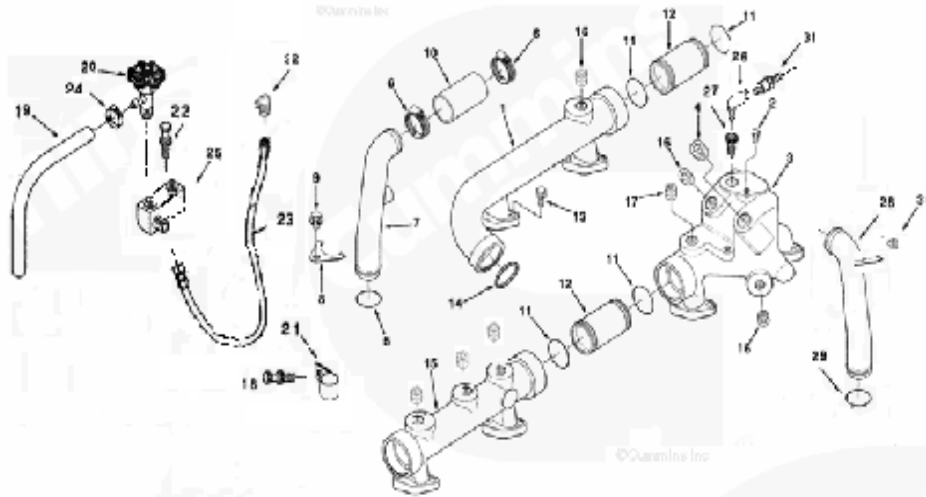


15	3325978-20	MANIFLD WATER
----	------------	---------------

32	3655672-20	ELBOW
	AR10032-40	TUBE WATER BYPASS
5	43463 A	SEAL O RING
6	43828 B-20	CLAMP HOSE
10	102522-20	HOSE
8	214617-20	CLAMP TUBE
9	3022589-20	SCREW CAPTIVE WASHER
7	4915201-20	TUBE WATER BYPASS
	MP 5144-40	MANIFOLD WATER MTG
11	70624	SEA,O RING
12	130394-20	CONNECYION WATER BYPASS
13	3010596-20	SCREW CAPTIVE WASHER CAP
14	3024709	SEAL RECTANGULAR



	MP 5146-40	MANIFOLD WATER MTG REAR
11	70624	SEA,O RING
12	130394-20	CONNECYION WATER BYPASS
13	3010596-20	SCREW CAPTIVE WASHER CAP
14	3024709	SEAL RECTANGULAR
	4931643-20	PIPE PLUG
	MP 5510-40	MTG WATER MANIFOLD
17	3008469-20	PLUG PIPE
13	3010596-20	SCREW CAPTIVE WASHER CAP
4	3013786-20	PLUG PIPE
14	3024709	SEAL RECTANGULAR
	3025458-20	PLUG,PIPE
	4931643-20	PIPE PLUG
27	S 921 D-20	BUSHING REDUCING PIPE
26	S 973-20	ELBOW PLAIN STREET PIPE



	WO 1037	
	3010870-40	OUT WATER MANIFOLD
	208128-20	MTG THERMOSTAT HOUSING
5	3010597-20	SHIM
6	3013786-20	SCREW CAPTIVE WASHER CAP
7	3076489-20	PLUG PIPE
4	3260627-40	THERMOSTAT
	3012472-20	CONNECTION WATER
1	3325939-20	SCREW CAPTIVE WASHER CAP
2	4914260-20	CONNECTION WATER
3	S 602-20	WASHER
11	AR10124-40	WASHER PLAIN
	186780-20	HOUSING THERMOST
9	3013612-20	SEAL THERMOSTAT
10		HOUSING THERMOST TA

