

1. GENERAL

Object and use	: Diesel generator
Color of painting	: Mansel No. 7.5BG6/1.5
Applicable conditions	
Ambient temperature	: 5°C ~ 40°C
Altitude	: 1500m above sea level
Max ,humidity	: 85%
Place of installation	: In door

Shop test

Diesel engine running tests shall be carried out by the following items.

Starting test

Load test	: 1/4, 2/4, 3/4 Load each
	: 4/4 Load

Governor test	: Governor test should be done along with respective governor controller
---------------	---

Safety stop device test

Guarantee

The guarantee shall be valid for the period of either 1year or 1000Hr (at Hr counter) after installation, whichever the shorter.

The guarantee shall cover against manufacturer defect, materials and workmanship only, and shall not be applicable to damage sustained through mishandling of the equipment.

Standard

All items, unless otherwise specified, are in accordance with JIS and manufacturer's standards.

2. PRINCIPAL PARTICULARS

Model	:	MITSUBISHI S16R-PTA-C
Type	:	4cycle stroke, water cooled diesel engine
Combustion chamber	:	Direct injection type
Aspiration	:	Turbocharged with after cooler
Number of cylinders	:	16-V
Bore × stroke	:	170mm × 180mm
Total displacement	:	65.37liter
Compression ratio	:	14.0 : 1
firing order	:	1 - 9 - 6 - 14 - 2 - 10 - 4 - 12 - 8 - 16 - 3 - 11 - 7 - 15 - 5 - 13
Direction of rotation	:	Counter clockwise as viewed from flywheel side
Engine dimensions (Approx.)	:	Length Apx. 3223mm
	:	width Apx. 1360mm
	:	Height Apx. 1810mm
Dry weight (Approx.)	:	6750kg (without accessories)
Fuel oil	:	ASTM D975 No. 2 - D or BS 2869 class A
Lubricating oil	:	API service CF class
		SAE No. 15W-40
Output at ISO 3046 standard air conditions (25°C, 100kPa, 30% Humid)		
Stand-by rating	:	1590kW/1500min ⁻¹
Fuel consumption ratio at Stand-by rating	:	201g/kW-hr
(allowance +5%)		
Lub, oil consumption ratio at Stand-by rating	:	within 0.8g/kW-hr

3. STANDARD EQUIPMENTS

(1) power line system

Flywheel	: DWG.NO.37896-21001 SAE J620d 21in, except screw size
Flywheel housing	: DWG.NO.37896-21001 SAE J617c No.00, except screw size
Engine mounting	: DWG.NO.37896-14001 6 points mounting, C = 250mm
Torsional vibration damper	: Viscous type × 2pcs

(2) Air intake system

Air cleaner	: DWG.NO.37896-30301 Donaldson FTG15L × 4 pcs Paper element type with screen cap
Turbocharger	: MITSUBISHI TD Type Model : TD10L-36F(28)
Air cooler	: Jacket water cooled type Plated element type
Air heater	: Not supply

(3) Exhaust system

Exhaust manifold	: Air cooled type with heat insulator
Muffler	: Not supply
Flexible pipe	: DWG.NO.S37-1090 (47920-12400) loose supply JIS 350A, L=335mm, weight 31.6kg
Companion flange	: Not supply
Breather	: DWG.NO.37896-43013 Up side direction type For blow - off to outside of engine room

(4) Lubricating system

Oil pump	:	Gear pump type
Capacity of oil pump	:	1500min ⁻¹ : 480 L/min.
Lub. oil pressure	:	0.5~0.65 Mpa
Quantity of oil (Approx.)	:	Oil pan full level : 200 liter low level : 140 liter Others (filter etc.) : 30 liter Total : 230 liter
Lub. oil filter (Full flow)	:	DWG.NO.37896-40001 Paper element cartridge type × 4pcs filter mesh : 20 μ with by - pass alarm switch
Lub. oil filter (By - pass flow)	:	DWG.NO.37896-40001 Paper element cartridge type × 1pc filter mesh : 2 μ
Lub. oil cooler	:	Water cooled corrugated type with by - pass valve

(5) Cooling system

Water pump	:	Gear drive centrifugal type
Capacity of water pump	:	1500min ⁻¹ : 1650 L/min.
Thermostat	:	Wax pellet type × 4pcs Open at 71°C ~ 85°C
Fan	:	Pusher type steel fan 1530 diameter, Gear drive Fan speed ratio i = 0.568

(6) Fuel system

Fuel inlet pipings	:	DWG.NO.37896-62112 loose supply flexible hose (Rc 3/4 joint)
Fuel return pipings	:	DWG.NO.37896-61312 loose supply flexible hose (Rc 3/4 joint)
Fuel overflow of Inj. Pump and fuel leak - off of Nozzle have to return to fuel tank		
Injection pump	:	Bosch type "PS8" without timer
Feed pump	:	Piston type with priming pump
Injection Nozzle	:	Hole type 0.325mm × 10 holes
Fuel filter	:	DWG, No.37896-62002 Paper element cartridge type filter mesh : 5 μ

(7) Control system

Governor	: DWG.NO.37896-63005 Electronic speed governor Speed droop : 0 ~ 5% adjustable
Actuator	: DWG.NO.S13-1761 Supply voltage : DC24V± 20% Current consumption At starting : 13A Normal operation : 0.5 ~ 2A Min. Supply voltage : DC16V50%ED
Controller	: DWG.NO.S13-1042 loose supply Model : XS-400B-03 (04410-33100) Supply voltage : DC24V± 20%
Potentiometer	: For low idling speed setting Not supply
Potentiometer	: For rated speed setting Not supply
Connector	: DWG.NO.S13-1022 loose supply From actuator to controller 5000mm length
Magnetic pick up	: DWG.NO.S13-2011 With connector
Cable	: DWG.NO.S13-2020 loose supply From magnetic pick up to controller 4300mm length

(8) Starting system

Starter switch	: with key, with heat position Not supply
Starting motor	: DWG.NO.37896-66001 DC24V, 7.5KW × 2pcs Reduction type with safety relay with 2 poles connector (DWG.NO.S14-0320)
Safety relay	: DWG.NO.S10-0150 loose supply For Parallel running of starting motor

Current of starter	: Rush 1250A Cranking 400A (Ambient temp : 5°C, Lub. oil : SAE No. 30)
Alternator	: DWG.NO.S10-0540 DC24V, 30A, with voltage regulator with 2 poles connector (DWG.NO.S10-0550)
Recommended battery capacity	: DC24V, 400AH Not supply
Battery switch	: Not supply
(9) Stopping system	: DWG.NO.37896-87502
Automatic stop	Automatically shut - down by stop solenoid and electronic governor power off simultaneously
Stop solenoid	: DWG.NO.S13-0282 Energized to run type DC24V, 30.7A(pull), 0.58A(hold)
Manual stop	: By stop lever
(10) Safety device	
Alarm switches	: DWG.NO.37896-90207
Alarm and trip	
Low oil press. switch	: DWG.NO.S11-0796 (04442-45400) Diaphragm type : 0.15 MPa switch on
High water temp. switch	: DWG.NO.S11-0551 (04442-34500) Wax type : 98°C switch on
Alarm	
Oil filter alarm switch	: DWG.NO.S11-1370 Piston type : 0.15 MPa switch on
Oil filter alarm lamp	: Not supply
Air filter alarm indicator	: DWG.NO.S11-0920 loose supply Mechanical type : 635mmH ₂ O switch on

(11) Instrument

Meter and sensor	:	DWG.NO.37896-90119
Tachometer	:	Pulse type for engine speed With electrical hour meter Not supply
Magnetic pick up	:	DWG.NO.S13-2011 For tachometer, pin-joint type
Cable	:	For magnetic pick up, 4300mm length Not supply
Thermometer	:	Electrical type for jacket water and lub. oil temp. Not supply
Pressure gage	:	Electrical type for lub. oil press. Not supply With 2 poles connector (DWG.NO.S14-0330)
Thermometer	:	For exhaust gas temp. Not supply

(12) Others

Turning device	:	DWG.NO. 37896-71001 Gear type, for maintenance
Service meter	:	Not supply
Tools	:	Not supply
Spare parts	:	Not supply

4. ACCESSORIES (Loose supply parts)

NO.	PARTS NO.	PARTS NAME	Q' TY	DWG. NO.	
1	47220-43101	AIR CLEANER ASSY.	2	S35-0550	37896-30301
2	47220-45302	AIR CLEANER ASSY.	2	S35-0550	
3	45686-76402	PIPE, AIR	4		
4	32330-09400	O-RING	8		
5	47220-31400	ELBOW, HOSE	2	S35-0720	
6	47220-30400	ELBOW, HOSE	2	S35-0701	
7	47520-71700	PIPE, AIR	2		
8	47520-71800	PIPE, AIR	2		
9	47220-30500	HOSE, RUBBER	4	S35-0711	
10	05317-52001	CLAMP	8		
11	47220-38300	BAND	8	S35-0600	
12	47220-32200	CAP, AIR CLEANER	4	S35-0660	
13	47920-12400	FLEXIBLE PIPE	1	S37-1090	
14	45955-22160	HOSE, VINYL	1		37896-43003
15	05317-51001	CLAMP	4		
16	47510-59300	PIPE, BREATHER	1		37896-61312
17	45950-51700	PIPE, FLEXIBLE	1		
18	45950-11300	CONNECTOR	1		37896-62113
19	45950-51700	PIPE, FLEXIBLE	1		
20	45950-11300	CONNECTOR	1		
21	04410-33100	CONTROLLER	1	S13-1042	37896-63005
22	04410-32902	CONNECTOR, ACTUATOR	1	S13-1022	
23	04410-43500	CABLE, PICK UP	1	S13-2020	
24	04322-40100	RELAY, SAFETY	1	S10-0150	37896-90207
25	F8665-02100	CONNECTOR	2	S14-0320	for starter
26	32B90-00300	CONNECTOR	1	S10-0550	for alternator
27	MH052231	CONNECTOR	1	S14-0330	37896-90119
28	47220-34401	INDICATOR	4	S11-0920	37896-90207

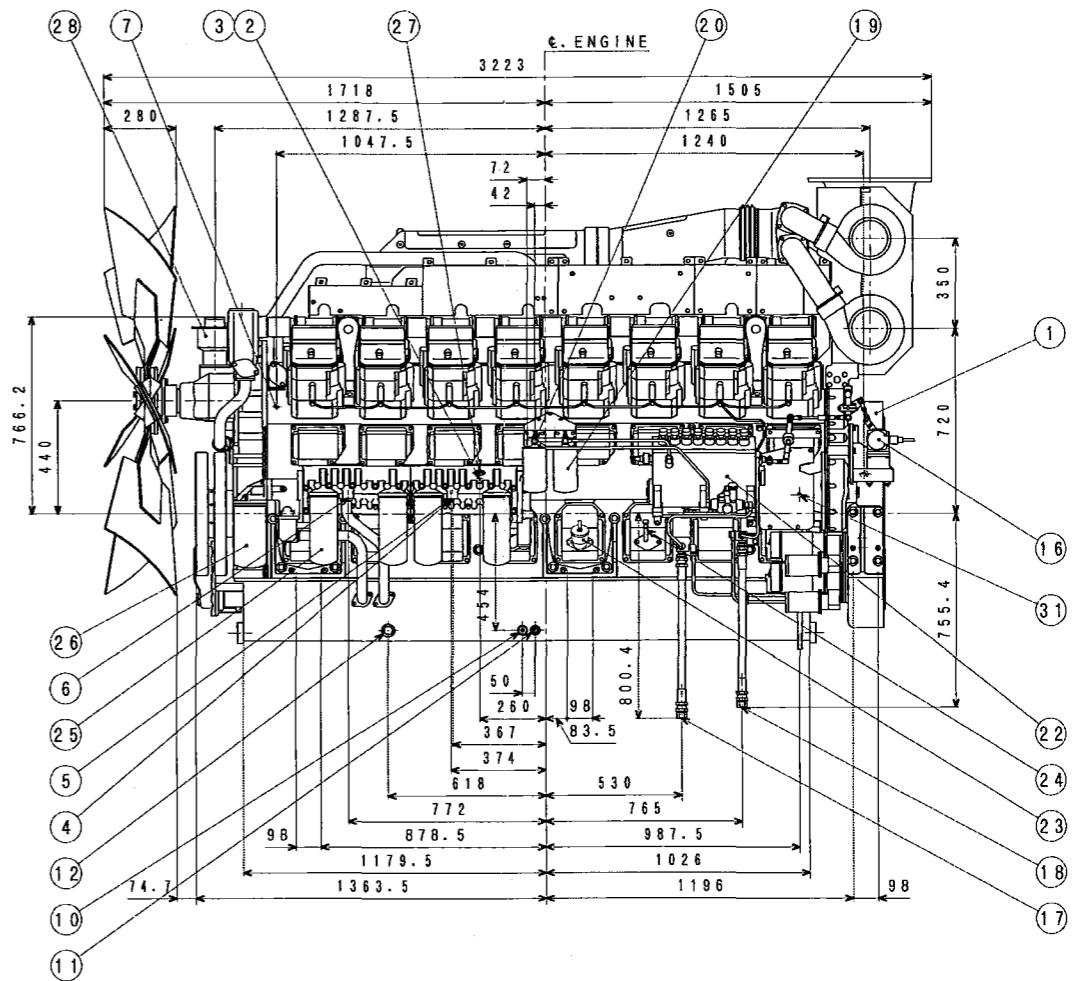
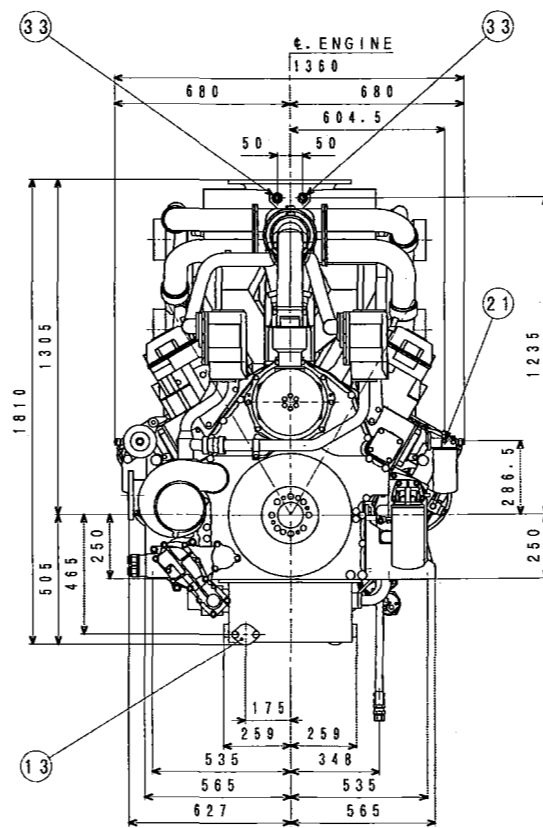
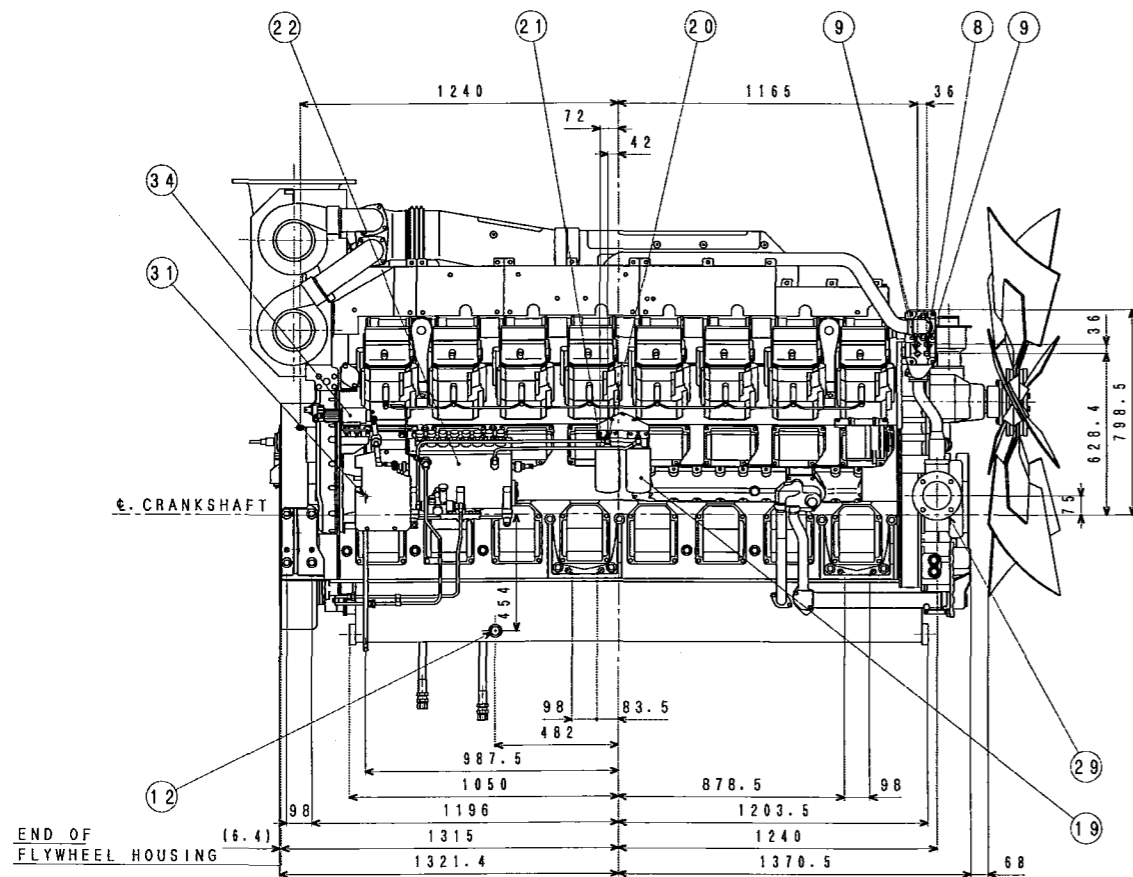
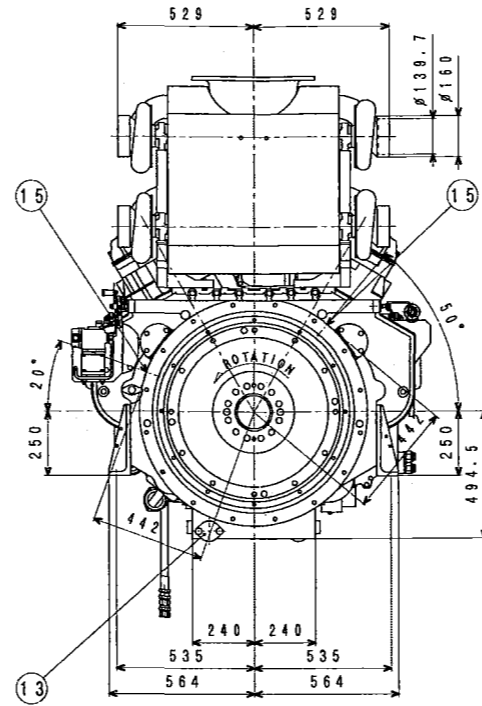
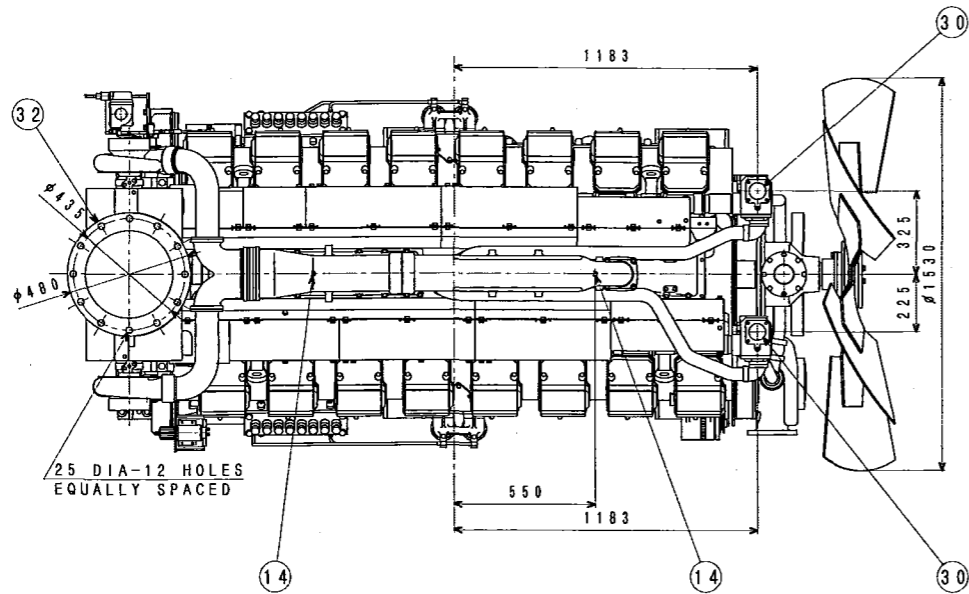
MHI CONFIDENTIAL

5. DRAWINGS

NO.	DWG. NO.	DWG. NAME	REMARK
1	37896-00212	ENGINE OUTLINE	
2	37896-01001	JOINT DETAIL	
3	37896-04028	WIRING DIAGRAM	
4	37896-14001	MOUNTING DETAIL	
5	37896-21001	FLYWHEEL & HOUSING DETAIL	
6	37896-30301	AIR CLEANER	
7	37896-40001	OIL FILTER	
8	37896-43013	BREATHER	
9	37896-61312	FUEL RETURN PIPING	
10	37896-62002	FUEL FILTER	
11	37896-62112	FUEL INLET PIPING	
12	37896-63005	GOVERNOR	
13	37896-66001	STARTING MOTOR	
14	37896-71001	TURNING GEAR	
15	37896-87502	STOP SYSTEM	
16	37896-90119	METER & SENSOR	
17	37896-90207	ALARM SWITCH	
18	S10-0150	SAFETY RELAY	
19	S10-0540	ALTERNATOR	
20	S10-0550	CONNECTOR	
21	S11-0551	THERMO SWITCH	
22	S11-0796	PRESSURE SWITCH	
23	S11-0920	INDICATOR	
24	S11-1370	FILTER ALARM SWITCH	
25	S13-0282	SOLENOID	
26	S13-1022	CONNECTOR	
27	S13-1042	CONTROLLER	
28	S13-1761	ACTUATOR	
29	S13-2011	MAGNETIC PICK UP	
30	S13-2020	CABLE, PICK UP	
31	S14-0320	CONNECTOR	
32	S14-0330	CONNECTOR	

NO.	DWG. NO.	DWG. NAME	REMARK
33	S35-0550	AIR CLEANER ASSY.	
34	S35-0600	BAND	
35	S35-0660	CAP, INLET	
36	S35-0701	ELBOW,HOSE	
37	S35-0711	HOSE, RUBBER	
38	S35-0720	ELBOW,HOSE	
39	S35-0731	HOSE, RUBBER	
40	S35-0751	HOSE, AIR	
41	S37-1090	FLEXBLE PIPE	

NO.	PARTS NAME	SIZE	REFERENCE
1	FLYWHEEL & HOUSING		37896-21001
2	OIL PRESS. GAGE UNIT JOINT	Rc1/8	37896-01001
3	OIL PRESS. SWITCH JOINT	Rc1/8	
4	OIL PRESS. SWITCH JOINT	Rc 1	
5	OIL PRESS. SWITCH JOINT	Rc1/2	
6	OIL PRESS. SWITCH JOINT	Rc1/2	
7	OIL PRESS. SWITCH JOINT	Rc3/8	
8	THERMOMETER UNIT JOINT	Rc1/2	
9	THERMOSWITCH JOINT	Rc1/2	
10	OIL PAN (A) JOINT	M16x1.5	
11	OIL PAN (B) JOINT	M20x1.5	
12	OIL PAN (C) JOINT	M36x1.5	
13	OIL PAN (D) JOINT		
14	AIR PRESS. GAGE JOINT	1/4-18NPT	
15	PICKUP JOINT	5/8-18UNF	37896-01001
16	GOVERNOR		
17	FUEL INLET PIPE JOINT	Rc3/4	37896-01001
18	FUEL RETURN PIPE JOINT	Rc3/4	37896-01001
19	FUEL FILTER		
20	FUEL PRESS. SWITCH JOINT	M14x1.5	37896-01001
21	FUEL PRESS. SWITCH JOINT	Rc3/8	37896-01001
22	FUEL INJECTION PUMP		
23	OIL FILLER		
24	OIL LEVEL GAGE		
25	OIL FULL-FLOW FILTER		
26	OIL BY-PASS FILTER		
27	OIL BY-PASS ALARM SWITCH		37896-01001
28	BREATHER		
29	WATER INLET PIPE JOINT	90A	
30	WATER OUTLET PIPE JOINT		37896-01001
31	WATER DRAIN COCK		
32	EXHAUST FLANGE	300A	
33	THERMOMETER, EX. JOINT	Rp3/4	37896-01001
34	STOP SOLENOID		



MHI CONFIDENTIAL

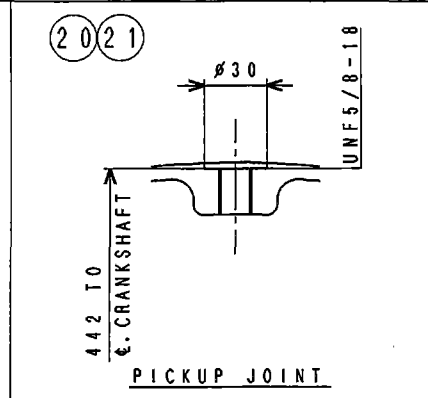
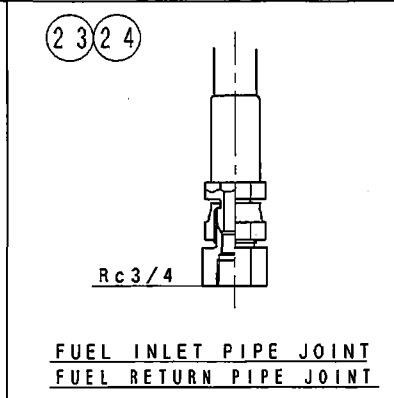
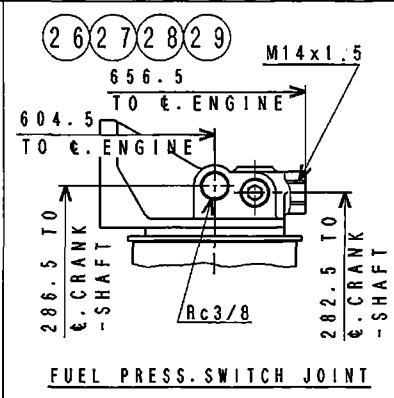
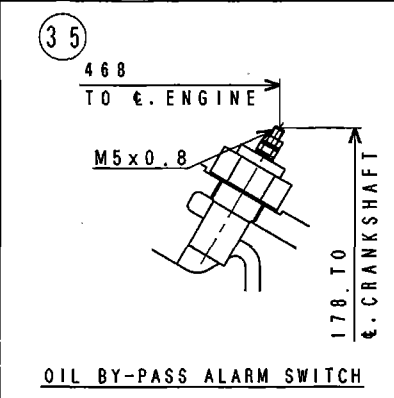
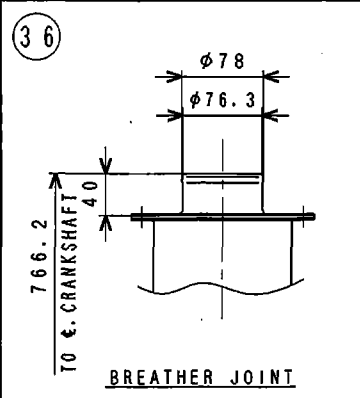
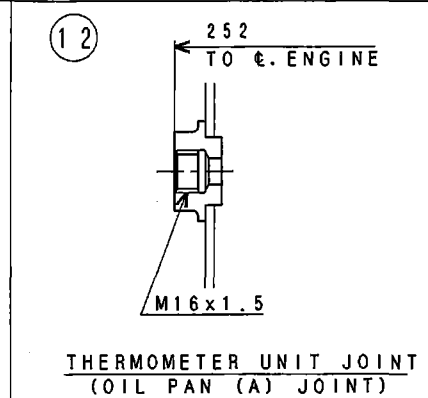
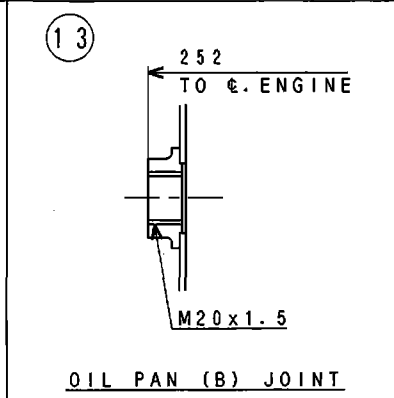
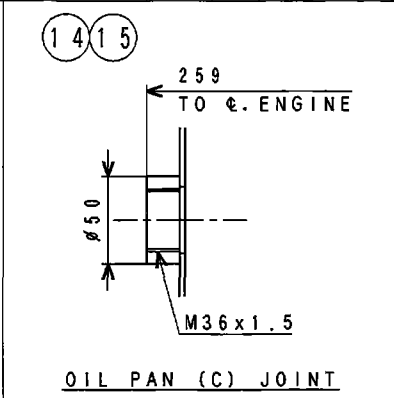
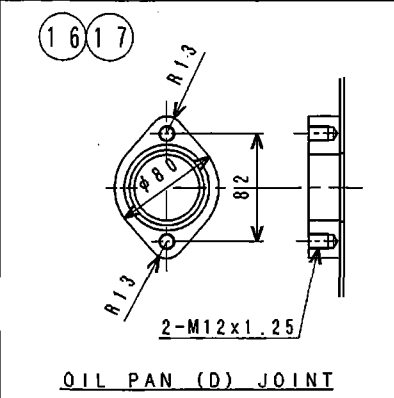
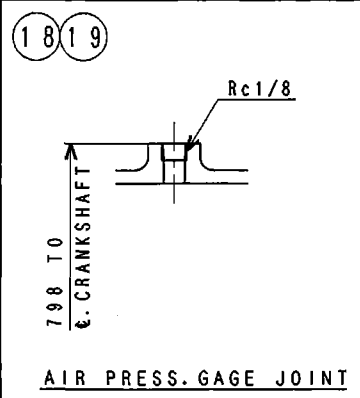
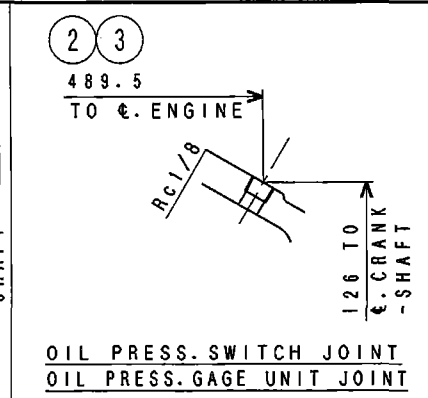
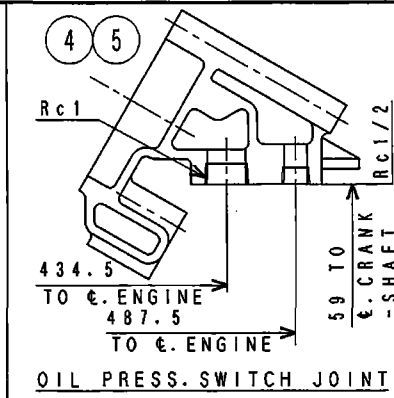
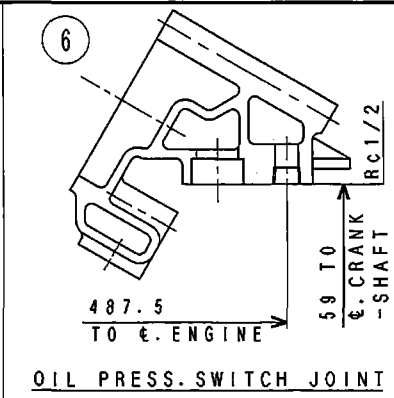
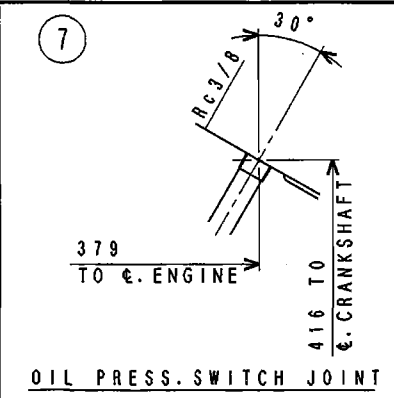
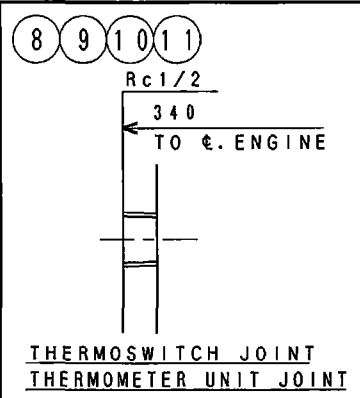
(4) 本図は、マウンティングC=250仕様である。
 (3) 本図のガバナは、電子ガバナ仕様である。
 (2) 三菱TD10L36F28/1500min⁻¹, TD13M36F29/1800min⁻¹ターボ装備。
 (1) 本図は、S16R-PTA/ファン付の標準外観図である。

4590-E900	4590-4992	4590-4992	4590-4992
10-NO	DATE	CON	
橋	竹	谷	田
口	谷	田	田

S16R-PTA (CM-BR)
 DIESEL ENGINE
 三菱重工業株式会社 汎用機・特殊事業本部
 図番 37896-00212

旧引
 汽機
 2012
 12.2

FULL-CAD



MHI CONFIDENTIAL

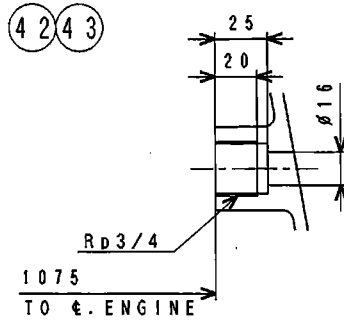
3/4 ANGLE PROJECTION			
尺度 SCALE			
CHG	EO-NO	DATE	CHK
認可 APPD	橋岡 仁 尾	1999. 3. 8	仁 尾
製図 DRN	青 藤	1998. 8. 20	

S16R
JOINT DETAIL
三菱重工業株式会社相模原製作所
SAGAMIHARA MACHINERY WORKS. MITSUBISHI HEAVY INDUSTRIES, LTD.
図面番号 37896-01001
DRAWING No. 1/2

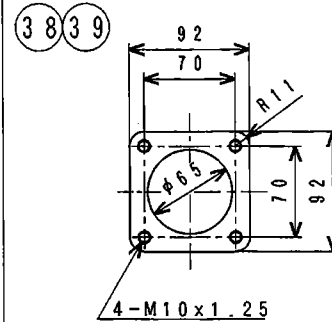
旧引
相製
1999
4.6

FULL-CAD

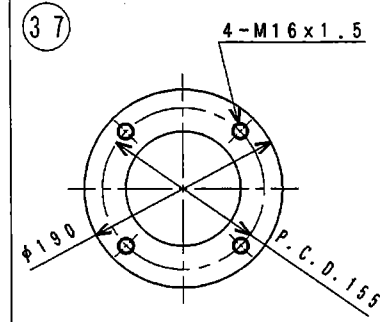
3 新図 サイズ A 3
4 旧図
1 組立図
2 脚輪部品
3 板金溶接品
4 組立品
5 切削品
6 その他(購入品)



4 2 4 3
THERMOMETER, EX. JOINT



3 8 3 9
WATER OUTLET PIPE JOINT



3 7
WATER INLET PIPE JOINT

MHI CONFIDENTIAL

CHG	EO-NO	DATE	CHK
認可 APPD	伊 南	1998. 8. 20	尾 田
検図 CHK	仁 尾	製図 DRN	青 藤

3rd ANGLE
PROJECTION
尺度 SCALE

S16R

JOINT DETAIL

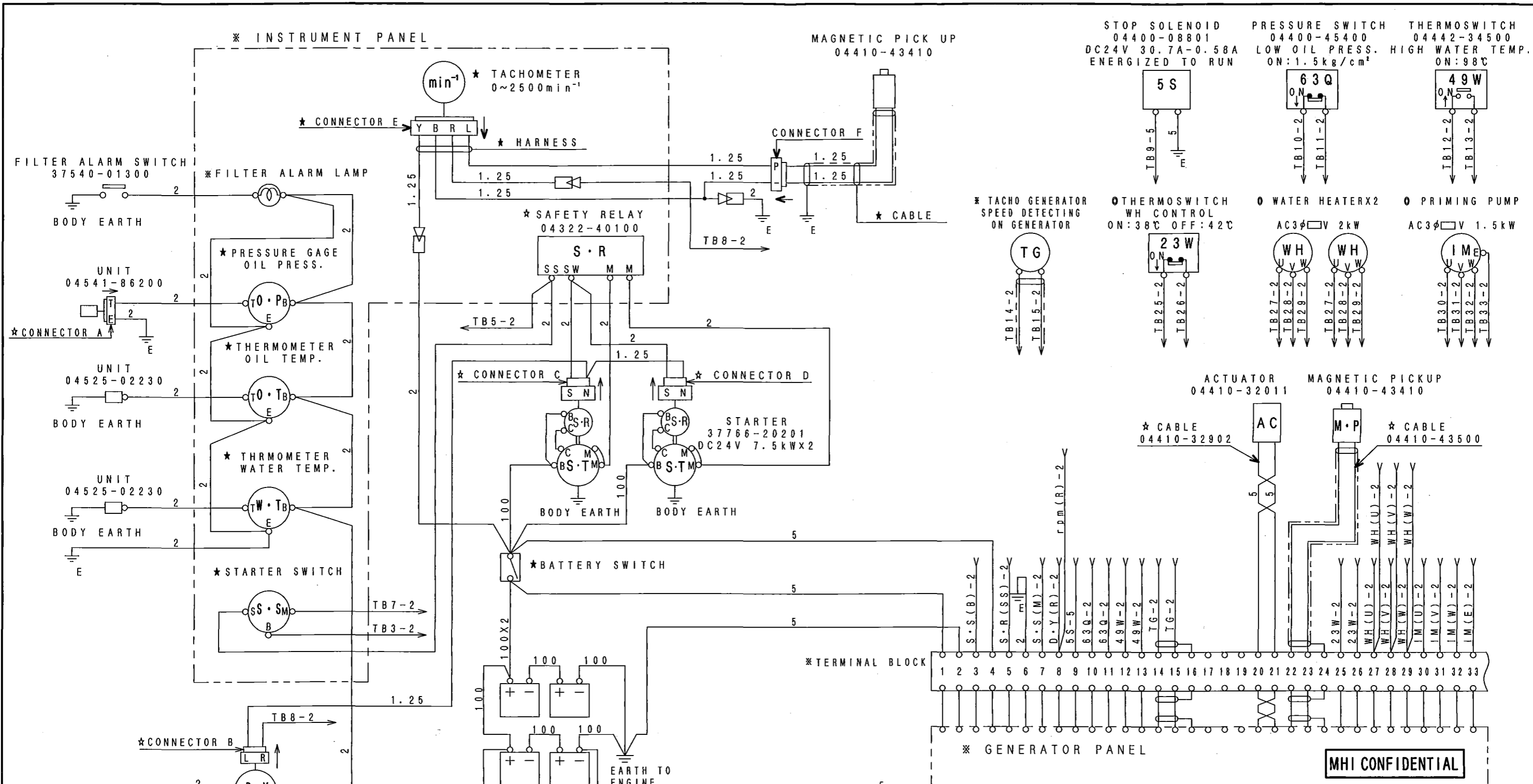
三菱重工業株式会社相模原製作所
SAGAMIHARA MACHINERY WORKS, MITSUBISHI HEAVY INDUSTRIES, LTD.

図面番号
DRAWING No. 37896-01001 2/2

3 新図
④ 旧引図
サイズ
A 3
① 組立図
2 脚跡圖準品
5 切削品
3 板金溶接品
6 その他(購入品)
4 組立品

旧引
相製
1999
4.6

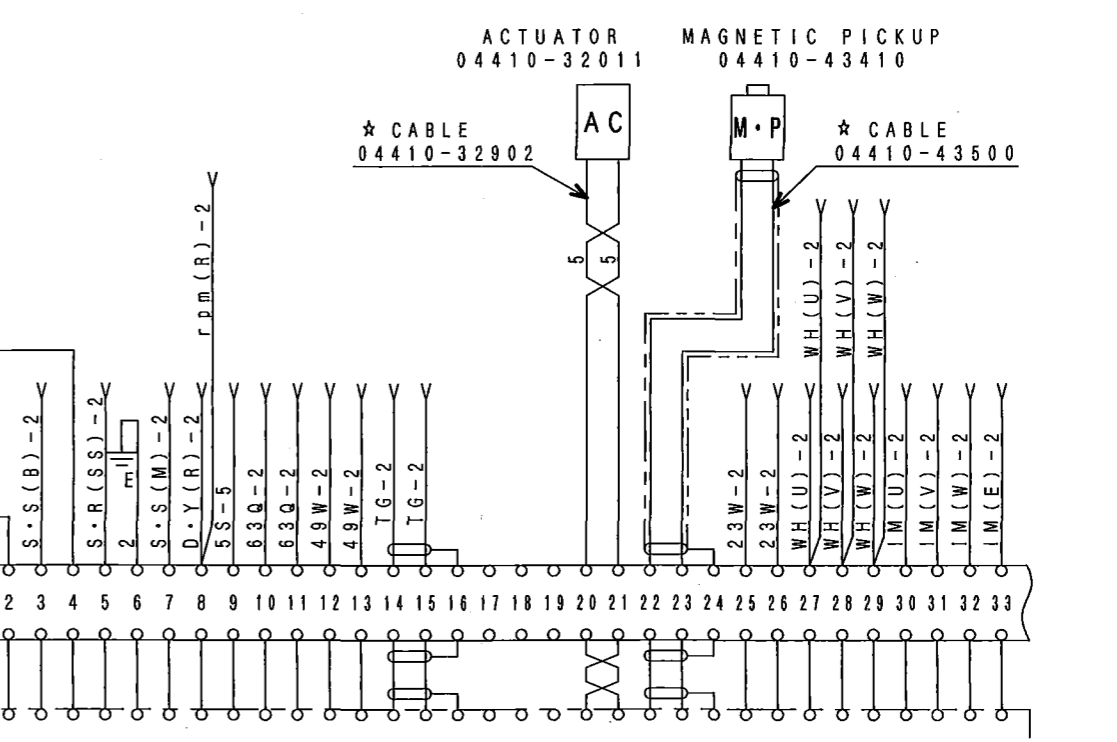
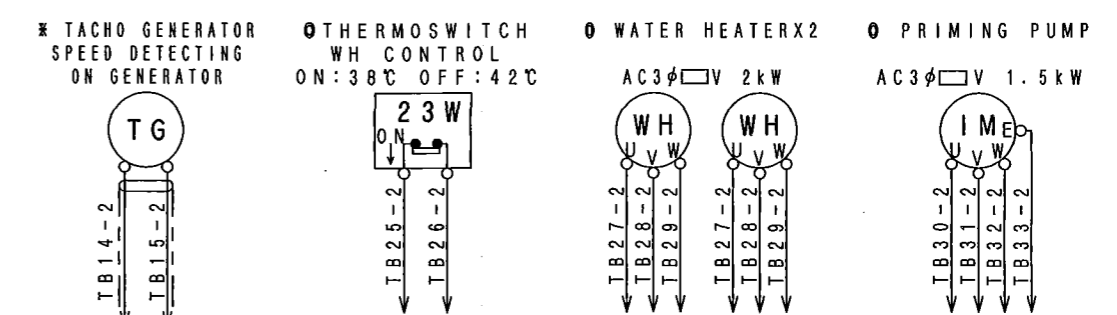
FULL-CAD



STOP SOLENOID 04400-08801
DC24V 30.7A-0.58A
ENERGIZED TO RUN

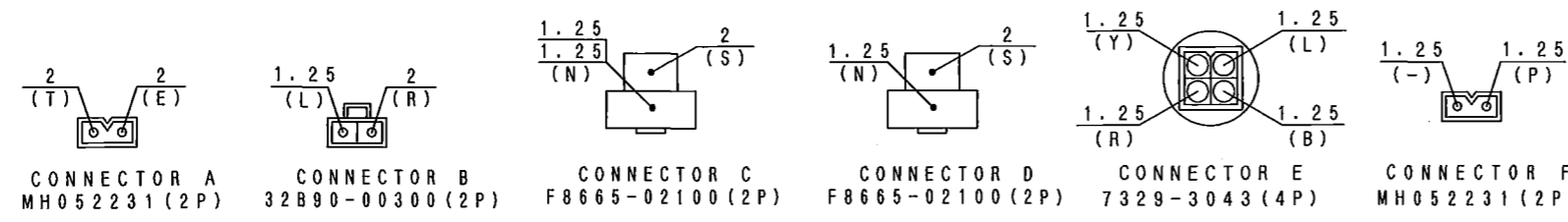
PRESSURE SWITCH 04400-45400
LOW OIL PRESS. HIGH WATER TEMP.
ON: 1.5 kg/cm²

THERMOSWITCH 04442-34500
ON: 98°C



STARTER SWITCH KEY SWITCH CONDITION

KEY POSITION	B	M	S
STOP	○		
RUN	○	○	
START	○	○	○



(7) THE MARK * IS SUPPLIED. (NOT SUPPLY)

(6) LENGTH OF CABLE BETWEEN BATT. AND BATT. SWITCH CONTROL POINT SHOULD BE LESS THAN 10M.
IN CASE WHERE LENGTH OF PAID CABLE WOULD BE MORE THAN 10M, CABLE SIZE SHALL BE CONSIDERED. DISTINATION WIRE SIZE

(5) THE MARK ○ SHOWS OPTION PARTS.

(4) MEANING OF THE WIRE SYMBOL. TB9-5

(3) CONNECTOR ARRANGEMENT IS SEEN FROM ARROW SIDE.

(2) THE MARK * IS SUPPLIED WITHOUT ASSEMBLED ON ENGINE.

NOTE (1) THE WIRING AND THE MARK * IS NOT PREPARED BY MITSUBISHI.

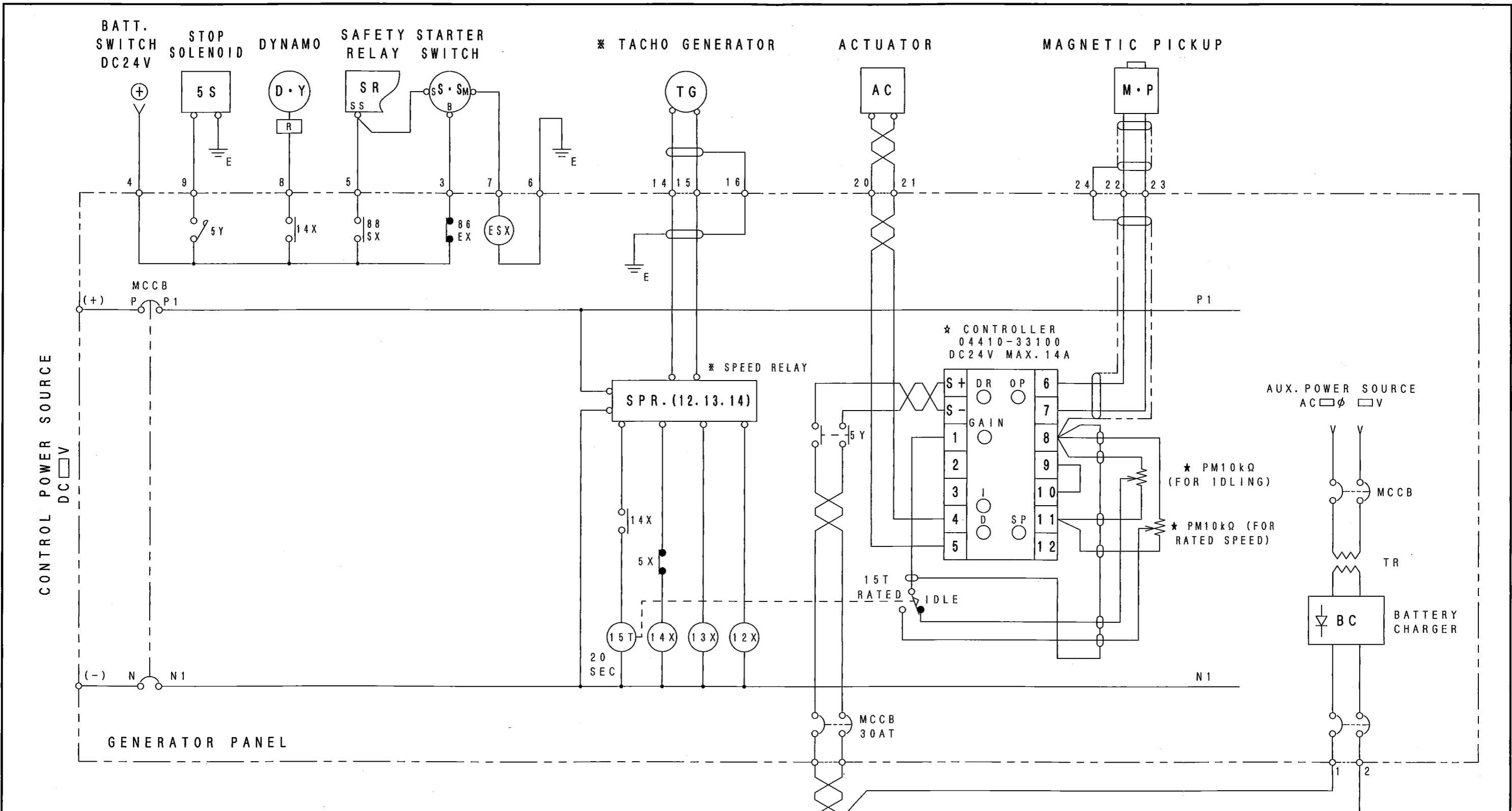
CHG	EO-NO	DATE	CHK
認可 APPD	検出 CHK	専 中	谷 戸
2012.11.28			

S16R FOR STAND-BY USE WIRING DIAGRAM(ETR)

三菱重工業株式会社 汎用機・特車事業本部
GENERAL MACHINERY & SPECIAL VEHICLE DEPARTMENT, MITSUBISHI HEAVY INDUSTRIES, LTD.

図面番号 37896-04028
DRAWING No. 1/2

M/C



14X : CONTACT IS CLOSED ON ENGINE SPEED ESTABLISHMENT (ABOUT 450 R. P. M.).
 5X : CONTACT IS OPENED ON STOP ORDER.
 86EX : CONTACT IS OPENED ON EMERGENCY STOP ORDER (HEAVY TROUBLE).
 88SX : START ORDER (ENG. CRANKING), CONTACT IS CLOSED ON CRANKING ORDER.
 5Y : RUN SIGNAL FOR STOP SOLENOID & GOVERNOR CONTROLLER.
 (ESX) : TO ACTIVATE OPERATION SIGNAL '5Y' TO GOVERNOR CONTROLLER AND STOP SOLENOID, START-UP CONTACT POINT SIGNAL GIVEN FROM STARTER SWITCH ON MACHINE-SIDE PANEL IS NECESSARY TO THE CIRCUIT FOR START-UP ON GENERATOR PANEL.

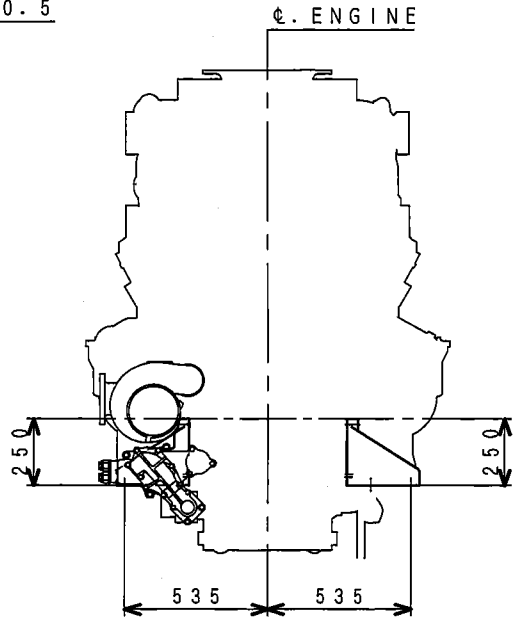
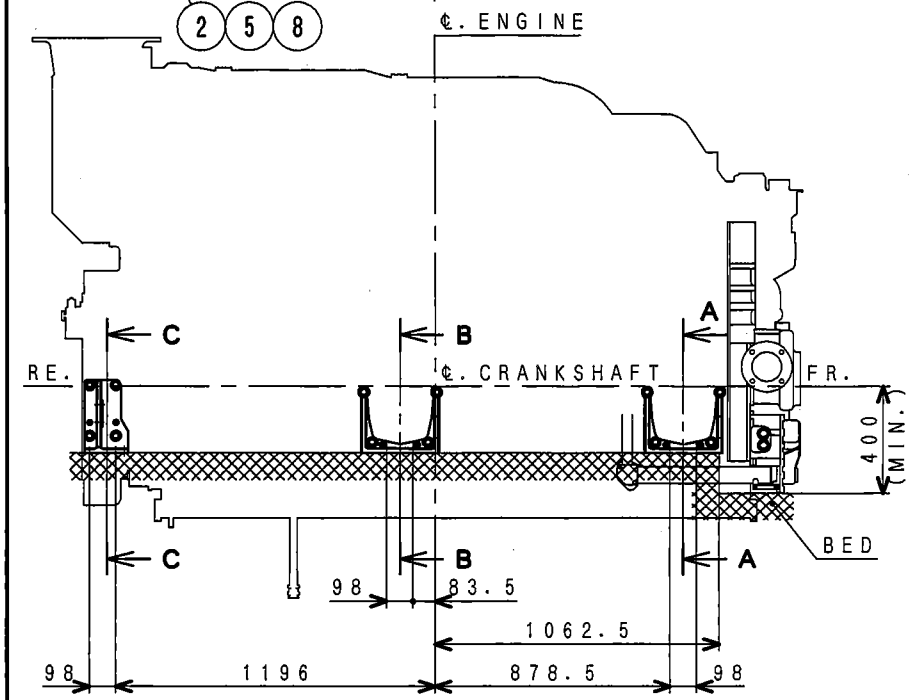
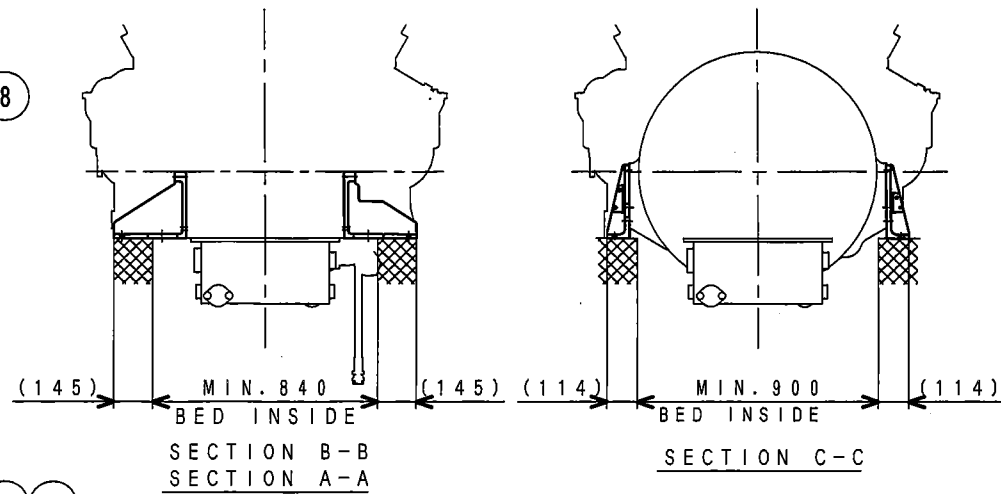
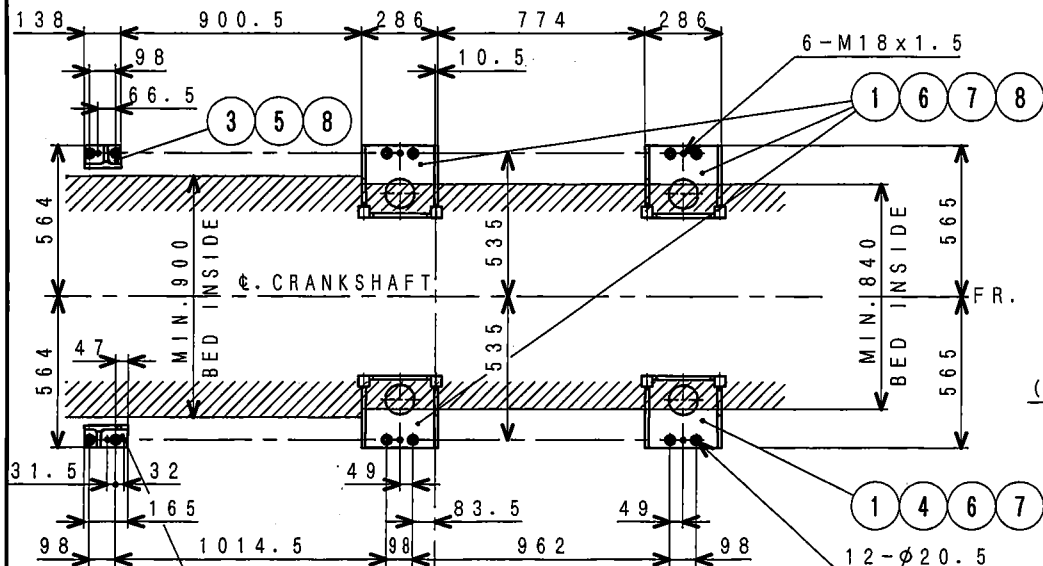
(2) THIS DRAWING IS WIRING DIAGRAM BETWEEN MACHINE SIDE AND THE GENERATOR PANEL. FOR DETAILS, REFER SEQUENCE DIAGRAM (ETR) S25-0200
 NOTE (1) SHALL BE MAKE MORE THAN 40 TURNS PER 1METRE AND LESS THAN 2Ω OF RESISTANCE ON BATTERY LINE AND ACTUATOR LINE TWIST CABLE.

MHI CONFIDENTIAL

CHG	EO-NO	DATE	CHK
認可 APPD	橋口	2012.11.28	谷
検図 CHK	塚中		谷
	本村		戸

S16R FOR STAND-BY USE
 WIRING DIAGRAM (ETR)
 三菱重工業株式会社汎用機・特車事業本部
 GENERAL MACHINERY & SPECIAL VEHICLE HEADQUARTERS, MITSUBISHI HEAVY INDUSTRIES, LTD.
 図面番号 37896-04028
 DRAWING NO. 2/2

①新図 ②改訂 ③訂正 ④訂正 ⑤訂正 ⑥訂正 ⑦訂正 ⑧訂正 ⑨訂正 ⑩訂正



No.	PARTS NO.	PARTS NAME	Q'TY
8	33401-02600	WASHER	16
7	F1035-20075	BOLT	8
6	F1035-20050	BOLT	7
5	F1035-20045	BOLT	8
4	F1035-20035	BOLT	1
3	37714-42100	BRACKET, MTG, L	1
2	37714-32200	BRACKET, MTG, R	1
1	37714-20100	BRACKET, MTG, FR.	4

MHI CONFIDENTIAL

注記 (1) 本図は、マウンティングセンターハイトC=250用である。

4590-4536 '98.8.18 福田

4	4590-E901	'08.10.6	齊藤	 3rd ANGLE PROJECTION 尺度 SCALE	
3	4590-5477	'99.8.6	福田		
2	4590-5002	'99.2.26	仁尾		
5	4590-H421	'12.11.19	谷戸		
CHG	EO-NO	DATE	CHK		
認可 APPD	橋口	検図 CHK	仁 福 尾 田	製図 DRN	谷 戸
				1888. 8. 20	

S16R

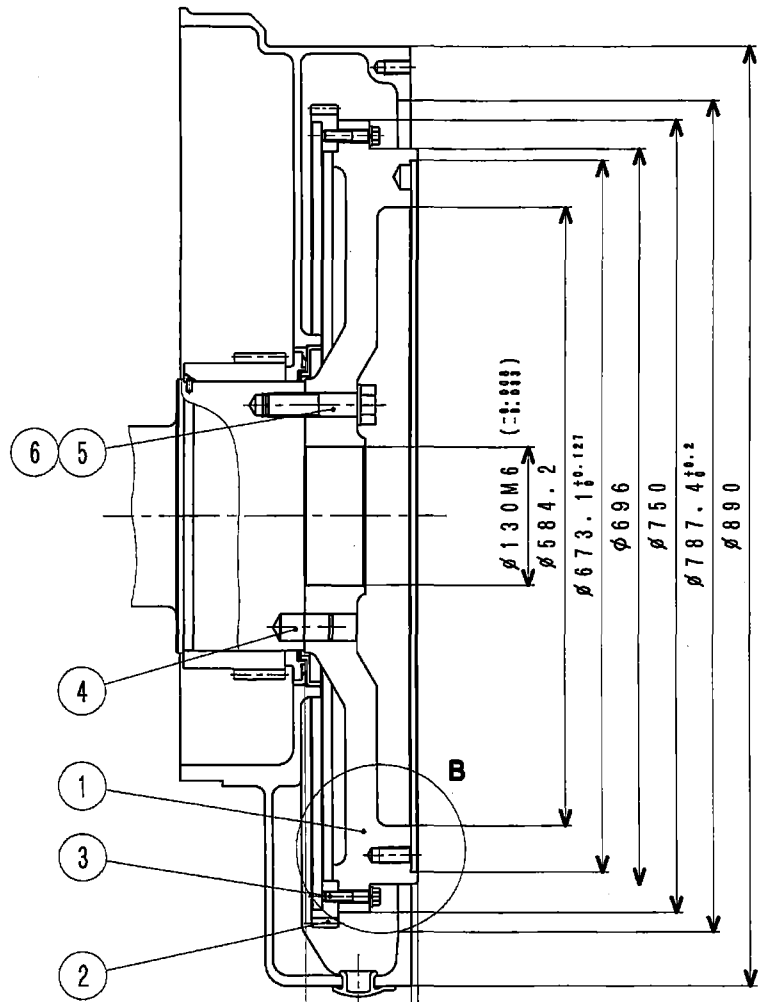
MOUNTING

三菱重工業株式会社 汎用機・特車事業本部
MITSUBISHI HEAVY INDUSTRIES, LTD. GENERAL MACHINERY & SPECIAL VEHICLE DEPARTMENTS.

図面番号 37896-14001 5
DRAWING No.

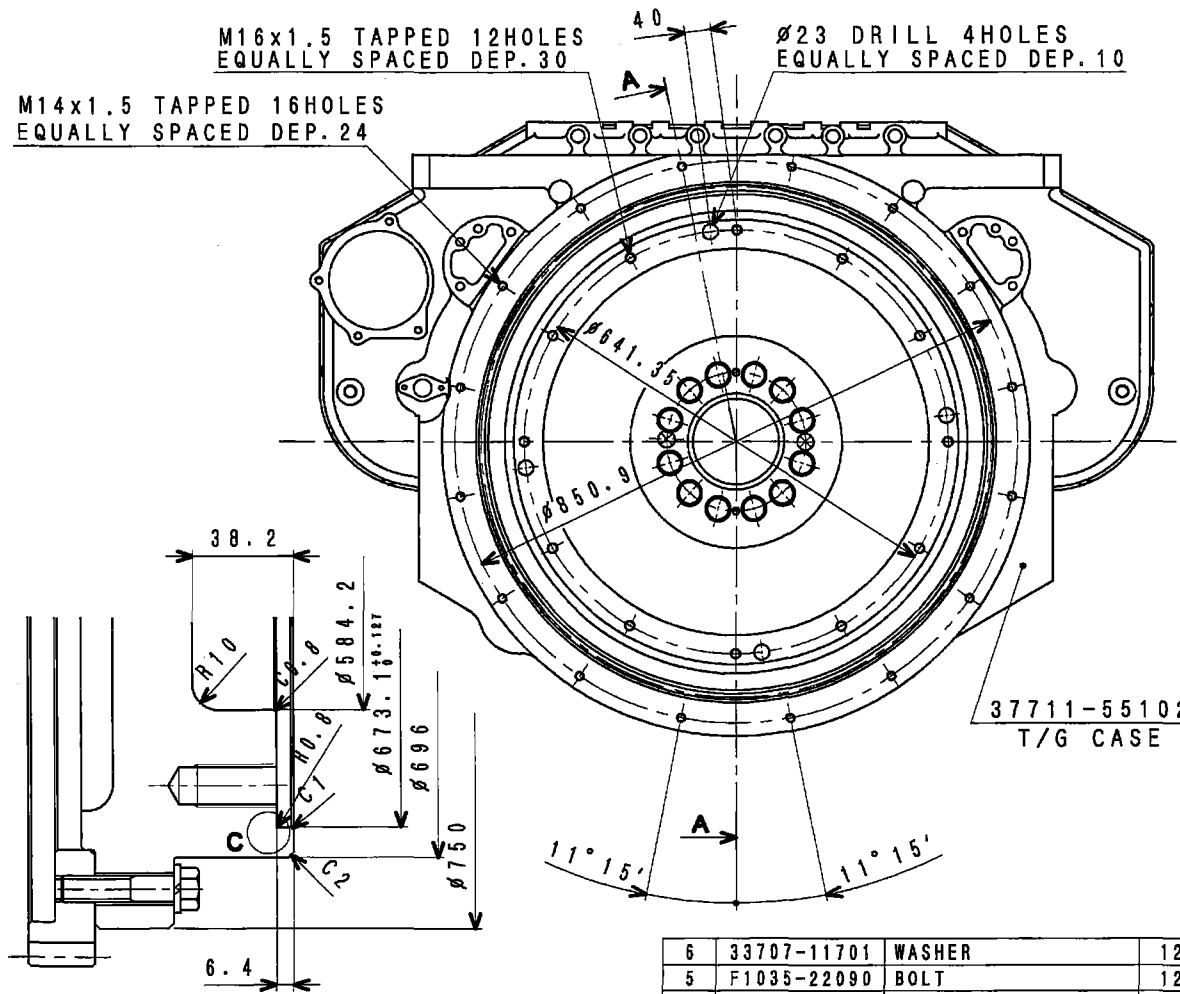
3 新図 4 1/2
① 旧図 A 3
② 総立図 ③ 脚輪取付品 ④ 板金溶接品 ⑤ 鋳立品
⑥ 切削品 ⑦ その他(購入品)

M/C

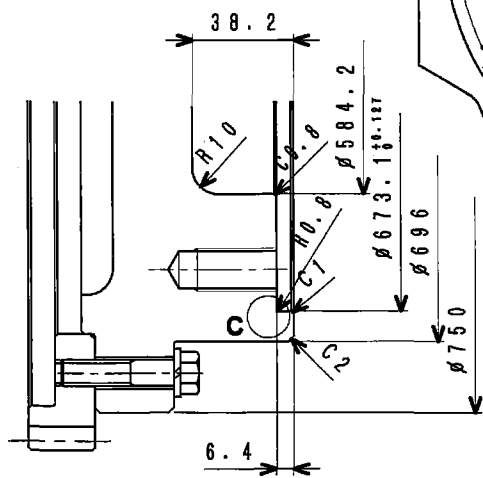


1214.9 TO ϕ . ENGINE 106.5
 1315 TO ϕ . ENGINE 6.4
 1321.4 TO ϕ . ENGINE

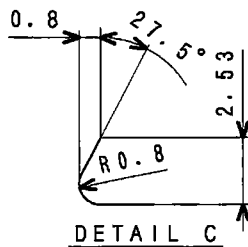
SECTION A-A



M16x1.5 TAPPED 12HOLES
 EQUALLY SPACED DEP. 30
 M14x1.5 TAPPED 16HOLES
 EQUALLY SPACED DEP. 24
 40
 A
 ϕ 23 DRILL 4HOLES
 EQUALLY SPACED DEP. 10



DETAIL B



DETAIL C

37711-55102
 T/G CASE

6	33707-11701	WASHER	12
5	F1035-22090	BOLT	12
4	37820-04600	PIN, DOWEL	2
3	F1805-10045	BOLT	12
2	37721-20201	GEAR, RING	1
1	37721-00601	FLYWHEEL	1
No.		PARTS NO.	Q' TY

MHI CONFIDENTIAL

3	4590-G654	'11. 3.28	斉藤	3rd ANGLE PROJECTION 尺度 SCALE
2	4590-D678	'07.10. 4	斉藤	
1	4591-0261	'03. 9.12	福田	
CHG	ED-NO	DATE	CHK	
認可 APPD	橋	検図 CHK	竹 谷	製図 DRN
			福田	谷 戸
				斎 藤
				1997. 9. 7

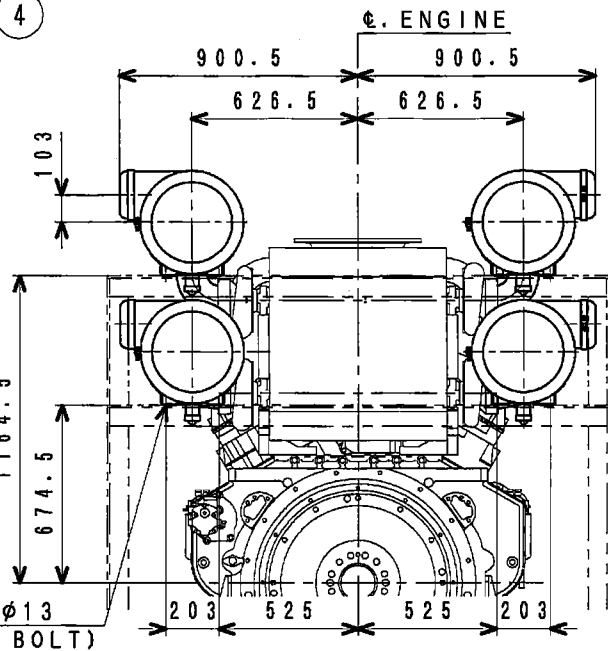
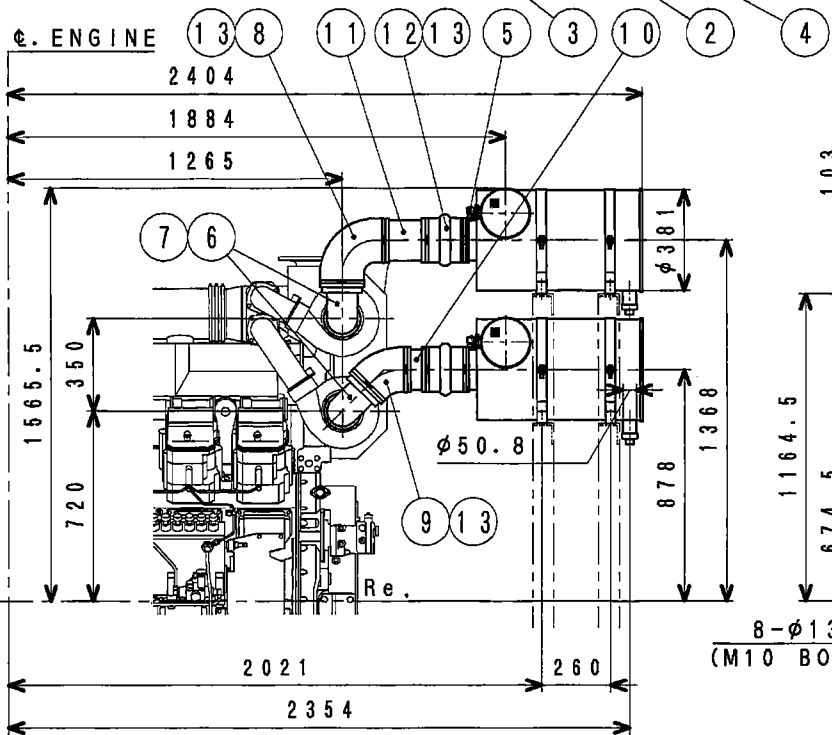
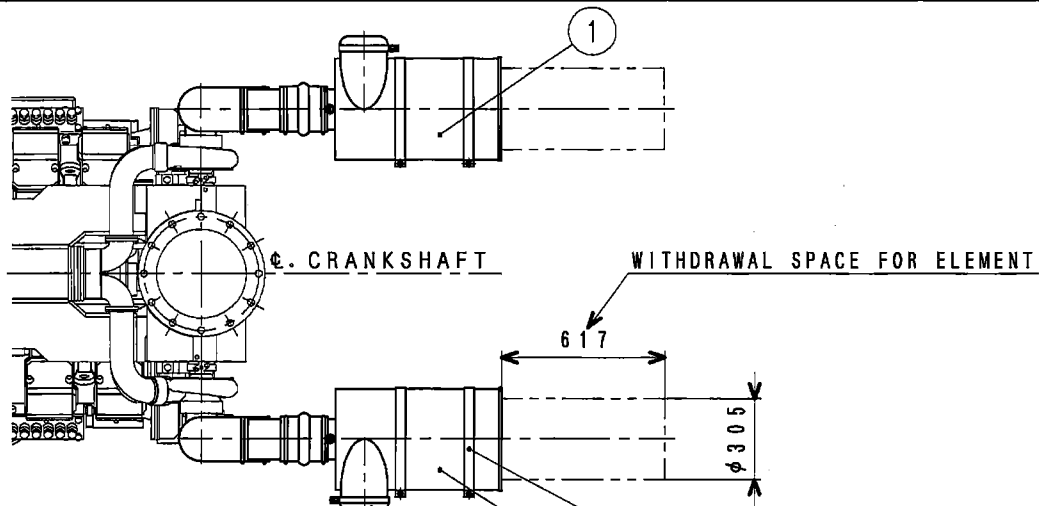
S16R
 FLYWHEEL & HOUSING
 三菱重工業株式会社 汎用機・特車事業本部
 MITSUBISHI HEAVY INDUSTRIES, LTD. GENERAL MACHINERY & SPECIAL VEHICLE HEADQUARTERS.
 図面番号 37896-21001

注記 (2) 本図のフライホイールは、部番37721-00061 F/W ASSY. に含まれる。
 (1) 本図は、標準フライホイール&ハウジングであり、SAEJ620c 21inフライホイール及びSAE617b NO. 00フライホイールハウジングに準拠する。

旧引
 況特
 2011
 12.12

FULL-CAD

3 新図 4 組立品
 1 旧引図 5 5 別製品
 2 2 別製品 3 板金格納品 4 組立品
 5 5 別製品 6 その他(購入品)



NOTE (1) THE ☆ MARKED PARTS ARE LOOSE SUPPLY.

☆ 13	05317-51801	CLAMP	16
☆ 12	47220-30500	HOSE, RUBBER	4
☆ 11	47520-71800	PIPE, AIR	2
☆ 10	47520-71700	PIPE, AIR	2
☆ 9	47220-31400	ELBOW, HOSE (45°)	2
☆ 8	47220-30400	ELBOW	2
☆ 7	32330-09400	O-RING	8
☆ 6	45686-76402	PIPE AIR (Fr)	4
☆ 5	47220-XXXXX	INDCATOR	4
☆ 4	47220-38300	BAND	8
☆ 3	47220-32200	CAP, AIR CLEANER	4
☆ 2	47220-45303	CLEANER, AIR	2
☆ 1	47220-43101	CLEANER, AIR	2
No.	PARTS NO.	PARTS NAME	Q'TY

4	4590-G655	'11. 3.28	斉藤
3	4590-G566	'11. 2.22	浅沼
2	4590-F103	'08.12.05	高藤
1	4590-7904	'01. 6.20	福田
CHG	ED-NO	DATE	CHK
認可 APPD	橋	検図 CHK	竹 福 谷 田
		製図 DRN	谷 銅 戸 島
			1997.10. 2

S16R
AIR CLEANER
三菱重工業株式会社 汎用機・特車事業本部
MITSUBISHI HEAVY INDUSTRIES, LTD. GENERAL MACHINERY & SPECIAL VEHICLE HEADQUARTERS.
図面番号 37896-30301
DRAWING No. 37896-30301

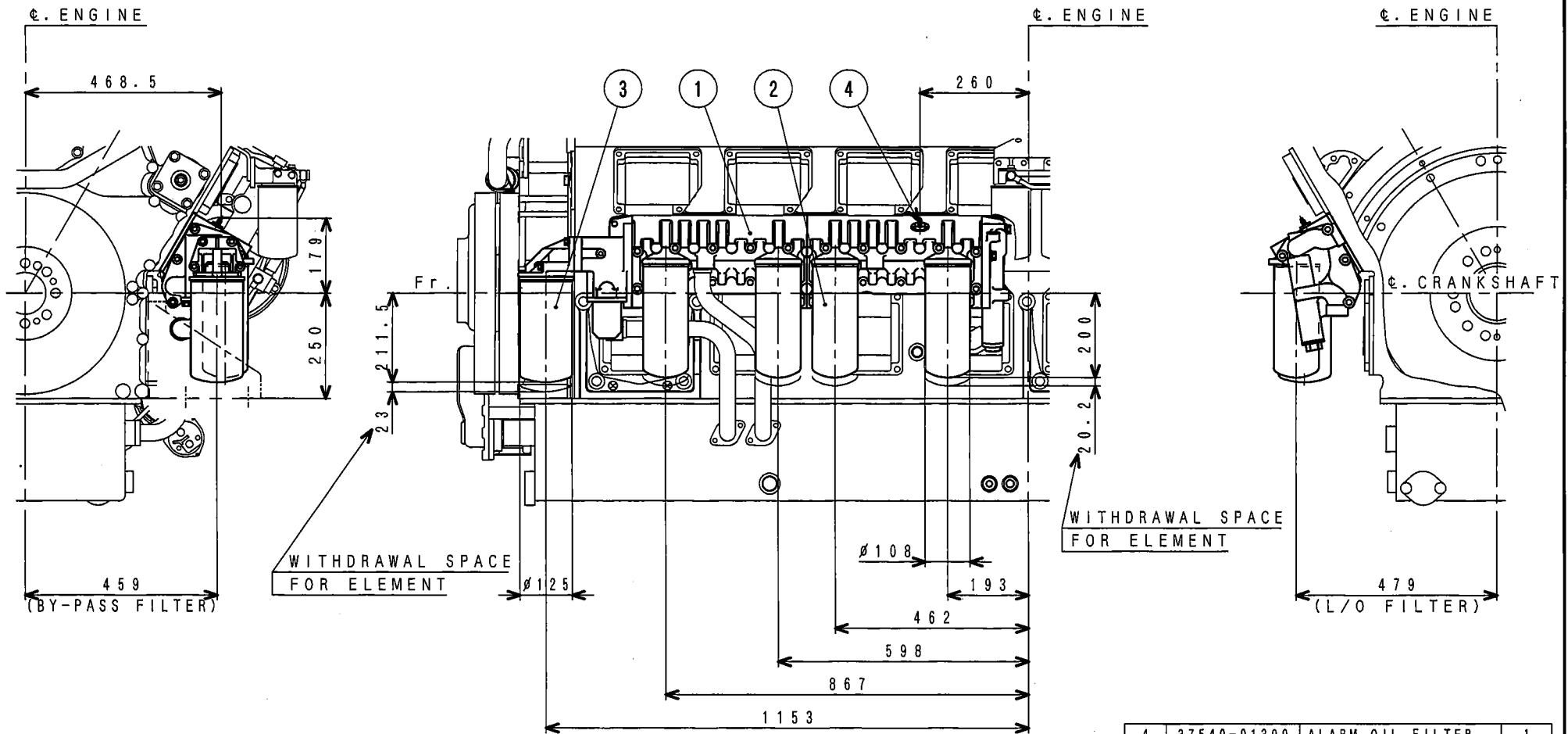
MHI CONFIDENTIAL

注記 (1) 本図は、Donaldson製 FTG15LX4 (別置型) エアクリーナパイピング図である。

旧引
汎特
2011
12.12

FULL-CAD

3 折図 サイズ
① 旧引図 A 3 ② 組立図 2 鋼線網部品 3 板金溶接品 4 組立品
5 切削品 6 その他(購入品)



4	37540-01300	ALARM, OIL FILTER	1
3	37540-02100	BY-BASS FILTER CARTRIDGE (1)	(1)
2	37540-11100	ELEMENT, L/O. CTRG (4)	(4)
1	37740-60010	OIL FILTER ASSY. L.H-P	1
No.	PARTS NO.	PARTS NAME	Q'TY

MHI CONFIDENTIAL

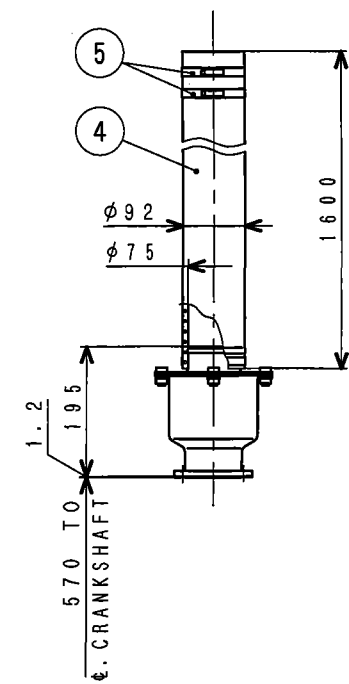
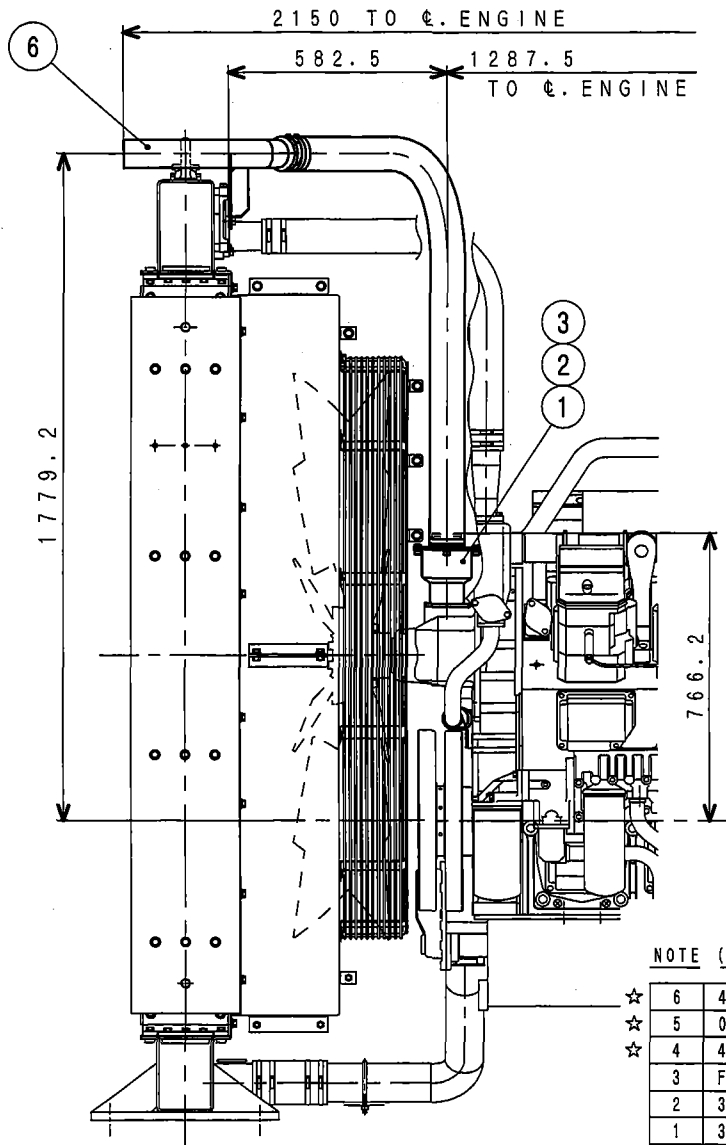
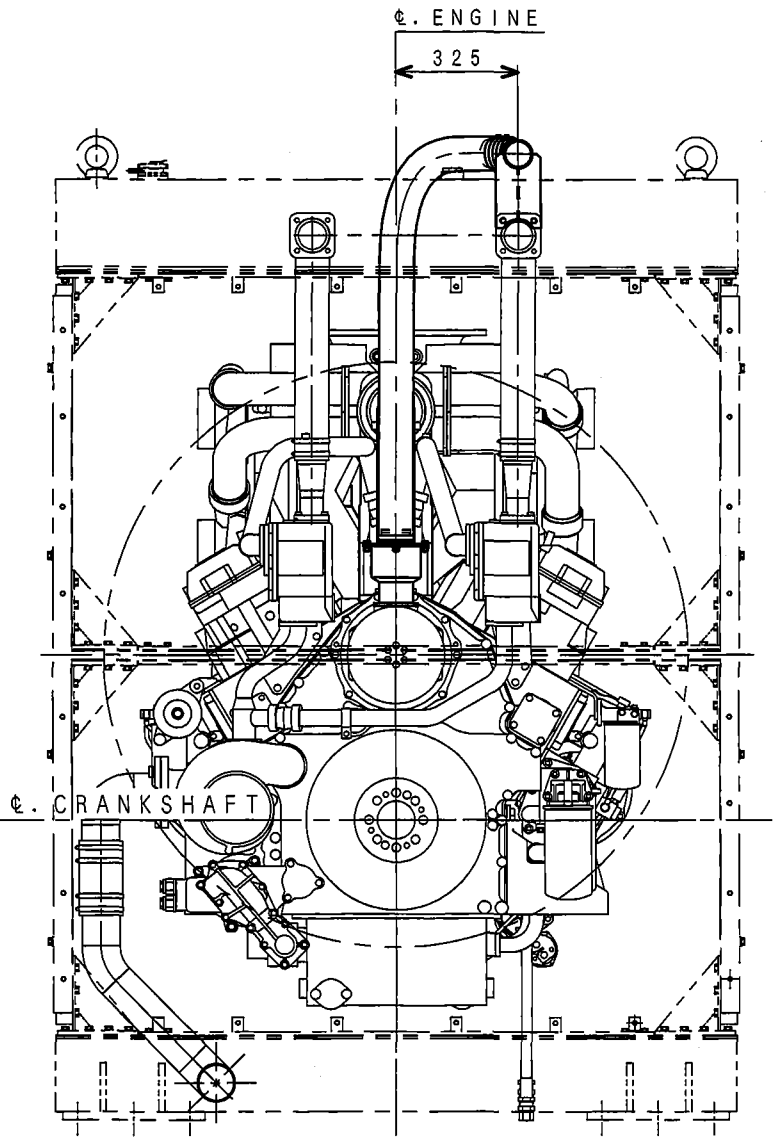
3	4590-H427	'12.11.19	谷戸
2	4590-E903	'08.10.6	齊藤
1	4590-7906	'01.6.20	福田
CHG	EO-NO	DATE	CHK
認可 APPD	橋口	検図 CHK	竹 福 谷 田
製図 DRN	谷 斎 戸 藤	1997. 8. 7	

S16R
LUB. OIL FILTER
 三菱重工業株式会社 汎用機・特車事業本部
 MITSUBISHI HEAVY INDUSTRIES, LTD. GENERAL MACHINERY & SPECIAL VEHICLE HEADQUARTERS.
 図面番号 37896-40001
 DRAWING No. 37896-40001

注記 (1) 本図は、標準4連オイルフィルタ装着図である。

3 新図 712' ① 総立図 2 購置標準品 3 取付標準品 4 総立品
 ② 旧引図 A 3 5 初期品 6 その他(購入品)

M/C



DETAIL OF BREATHER

NOTE (1) THE ☆ MARKED PARTS ARE LOOSE SUPPLY.

☆	6	47510-59300	PIPE, BREATHER	1
☆	5	05317-51001	CLAMP	4
☆	4	45955-22160	HOSE, VINYL	1
	3	F1805-12025	BOLT	4
	2	35B43-01500	PACKING	1
	1	37743-00501	BREATHER ASSY.	1
	No.	PARTS NO.	PARTS NAME	Q'TY

MHI CONFIDENTIAL

注記 (1) 本図は、オイルフィルラ装備前側上向きブリーザ及びパイピング図である。

CHG	EO-NO	DATE	CHK	3rd ANGLE PROJECTION 尺度 SCALE
認可 APPD	検図 CHK	塚 中 村	製図 DRN	谷 戸
		橋 口	2012.11.29	

S16R

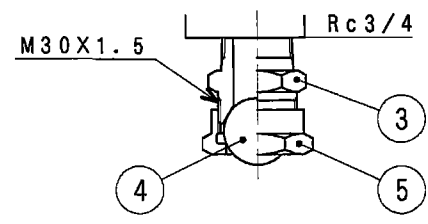
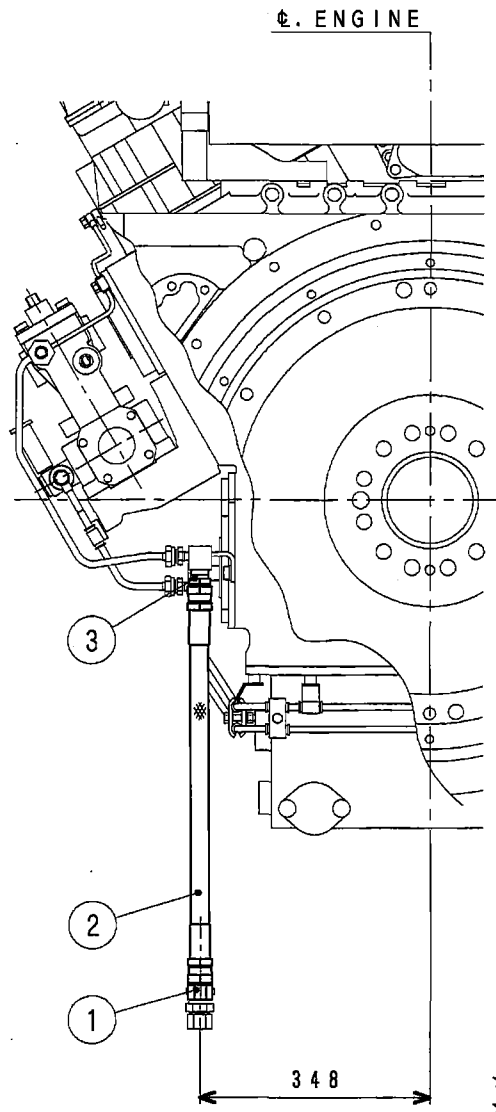
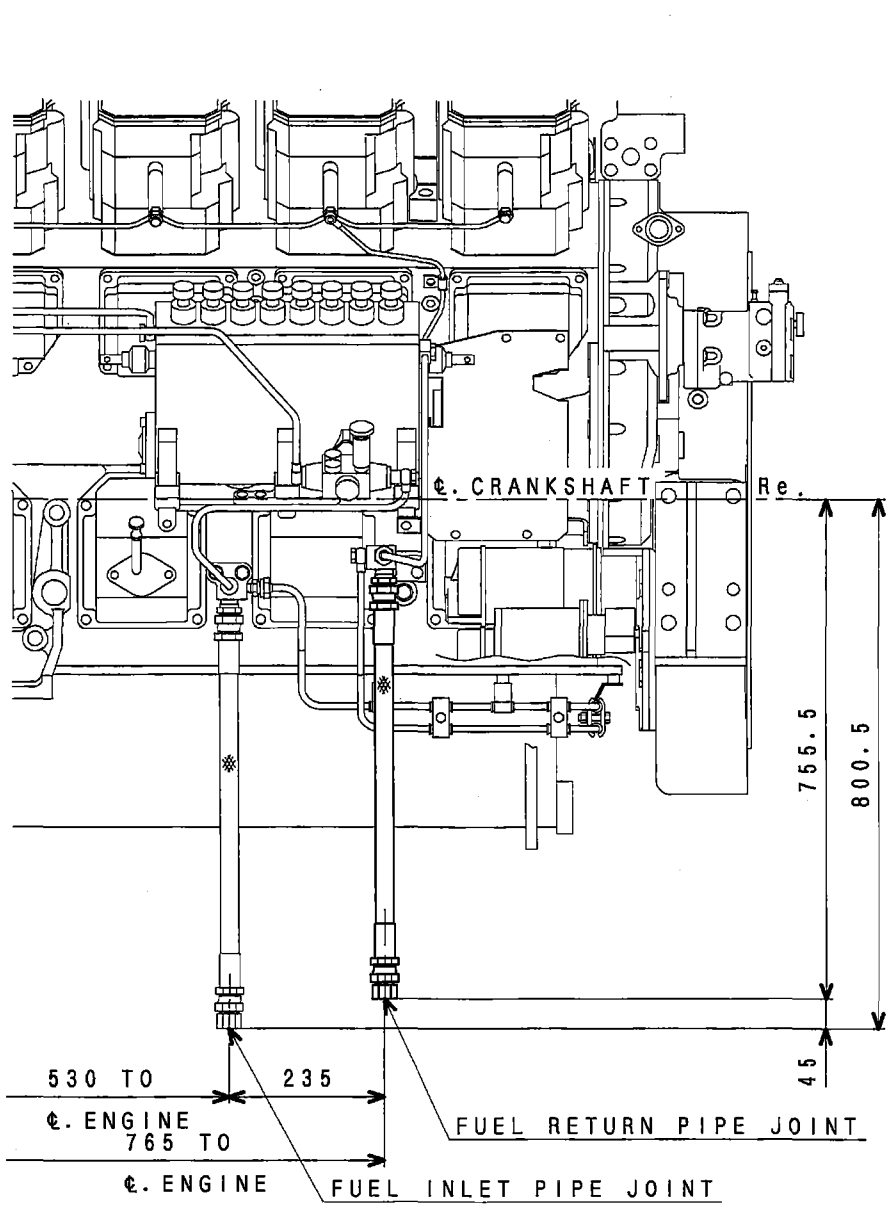
BREATHER

三菱重工業株式会社 汎用機・特車事業本部
MITSUBISHI HEAVY INDUSTRIES, LTD. GENERAL MACHINERY & SPECIAL VEHICLE HEADQUARTERS.

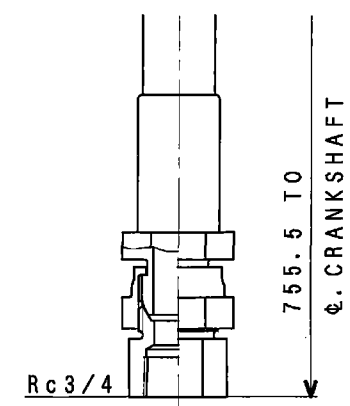
図面番号 37896-43013

① 新 図	② 訂 正	③ 補 綴 書 品	④ 複 合 品	⑤ 組 立 品
② 旧 引 取	A 3	① 組 立 図	⑤ 切 削 品	⑥ その他 (購 入 品)

M/C



FUEL RETURN PIPE JOINT



FUEL RETURN PIPE JOINT

NOTE (1) THE ☆ MARKED PARTS ARE LOOSE SUPPLY.

NO.	PARTS NO.	PARTS NAME	Q'TY
5	F4521-20000	NUT, UNION	1
4	F8000-32000	STEEL BALL, BEARING	1
3	F4540-20000	CONNECTOR	1
2	45950-51700	PIPE, FLEXIBLE	1
1	45950-11300	CONNECTOR	1

CHG	EO-NO	DATE	CHK
認可 APPD	橋	検図 CHK	三谷 上戸
製図 DRN		浅沼	
2008.12.10			

S16R
FUEL RETURN PIPING
 三菱重工業株式会社汎用機・特車事業本部
 MITSUBISHI HEAVY INDUSTRIES, LTD. GENERAL MACHINERY & SPECIAL VEHICLE HEADQUARTERS.
 図面番号
 DRAWING No. **37896-61312**

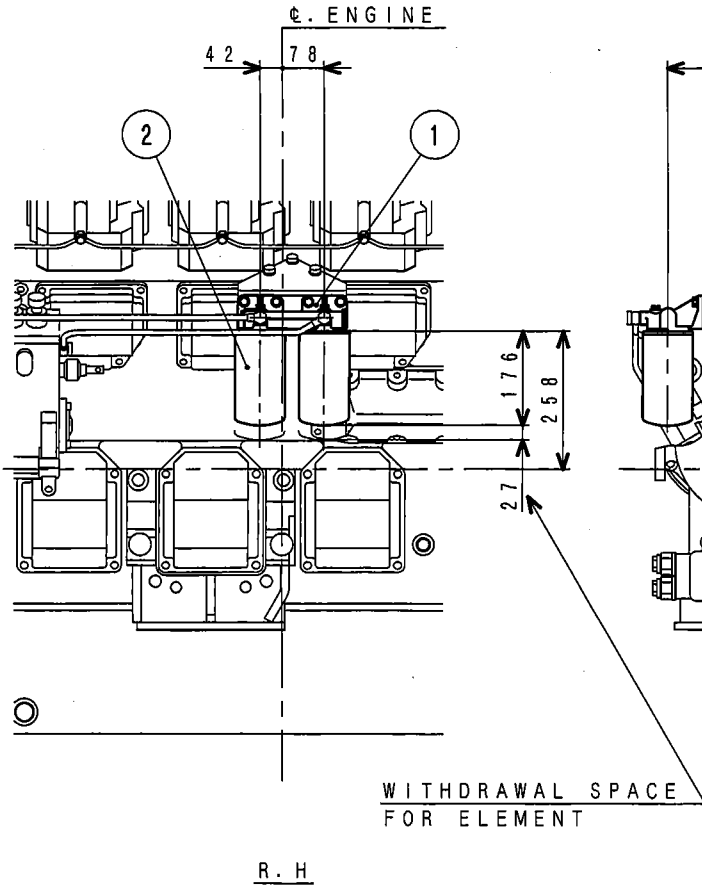
MHI CONFIDENTIAL

注記 (2) 本図の符号 ④⑤ は、燃料戻り口盲栓である。(エンジン出荷状態)
 (1) 本図は、図番37896-61305に対しフレキホース及び先端コネクタを別送品としたものである。

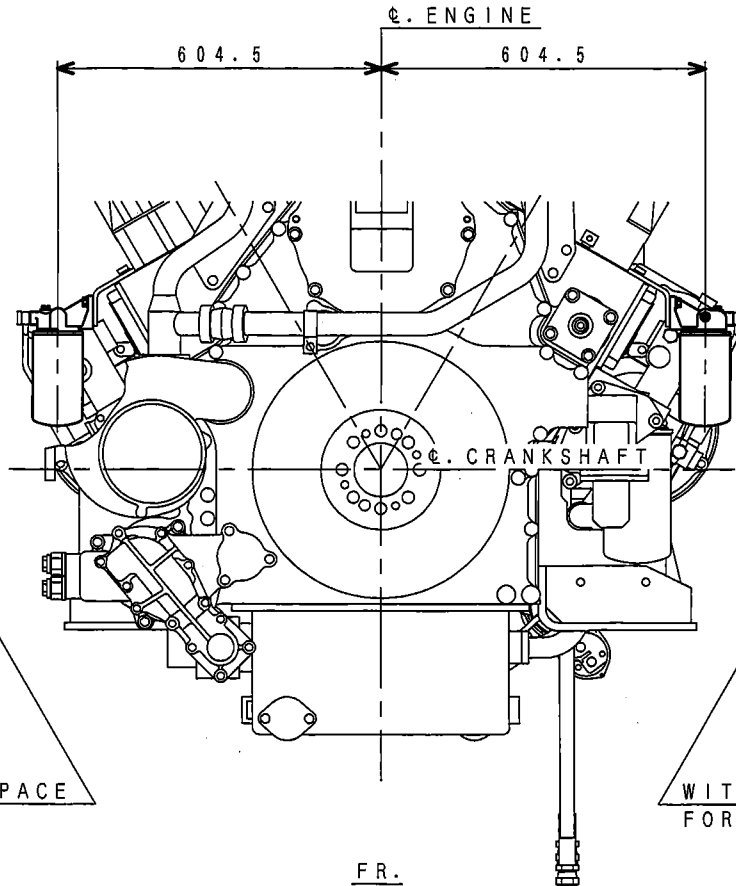
出図
 汎特
 2008
 12.12

FULL-CAD

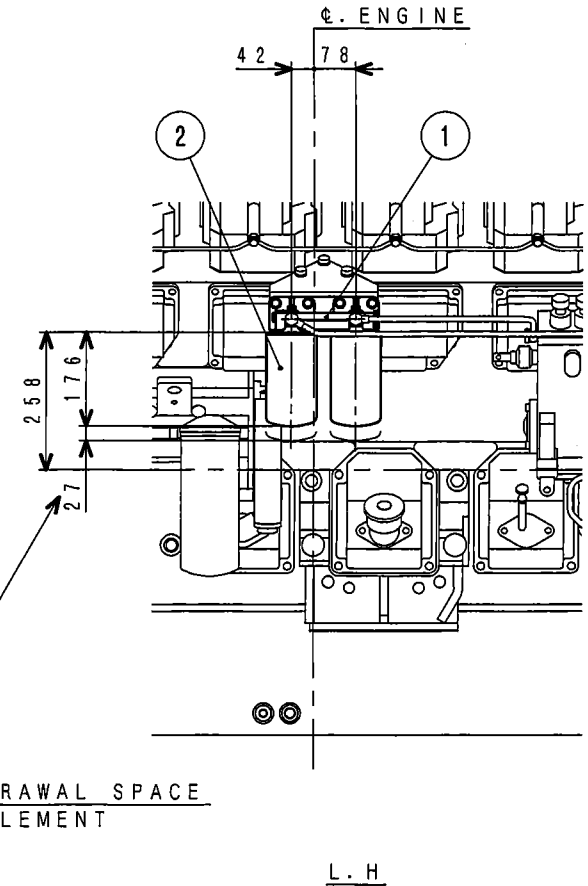
③ 折戻 ④ 折戻 ⑤ 折戻 ⑥ 折戻 ⑦ 折戻 ⑧ 折戻 ⑨ 折戻 ⑩ 折戻 ⑪ 折戻 ⑫ 折戻 ⑬ 折戻 ⑭ 折戻 ⑮ 折戻 ⑯ 折戻 ⑰ 折戻 ⑱ 折戻 ⑲ 折戻 ⑳ 折戻 ㉑ 折戻 ㉒ 折戻 ㉓ 折戻 ㉔ 折戻 ㉕ 折戻 ㉖ 折戻 ㉗ 折戻 ㉘ 折戻 ㉙ 折戻 ㉚ 折戻 ㉛ 折戻 ㉜ 折戻 ㉝ 折戻 ㉞ 折戻 ㉟ 折戻 ㊱ 折戻 ㊲ 折戻 ㊳ 折戻 ㊴ 折戻 ㊵ 折戻 ㊶ 折戻 ㊷ 折戻 ㊸ 折戻 ㊹ 折戻 ㊺ 折戻 ㊻ 折戻 ㊼ 折戻 ㊽ 折戻 ㊾ 折戻 ㊿ 折戻



R. H



FR.



L. H

WITHDRAWAL SPACE
FOR ELEMENT

WITHDRAWAL SPACE
FOR ELEMENT

MHI CONFIDENTIAL

2	32562-60300	ELEMENT, FUEL	(4)
1	32562-60100	F/F ASSY. CTR L.O	2
No.	PARTS NO.	PARTS NAME	Q'TY

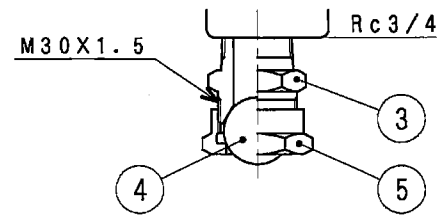
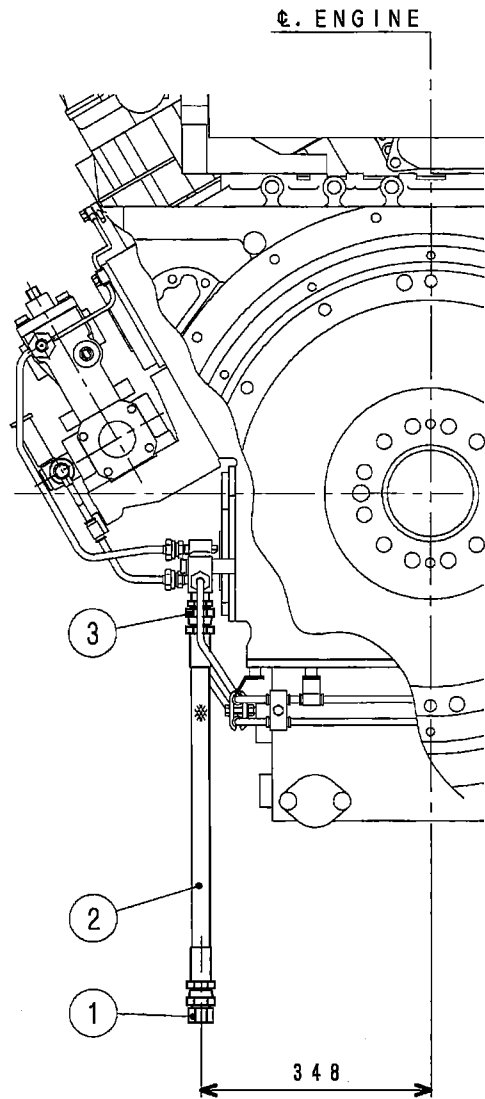
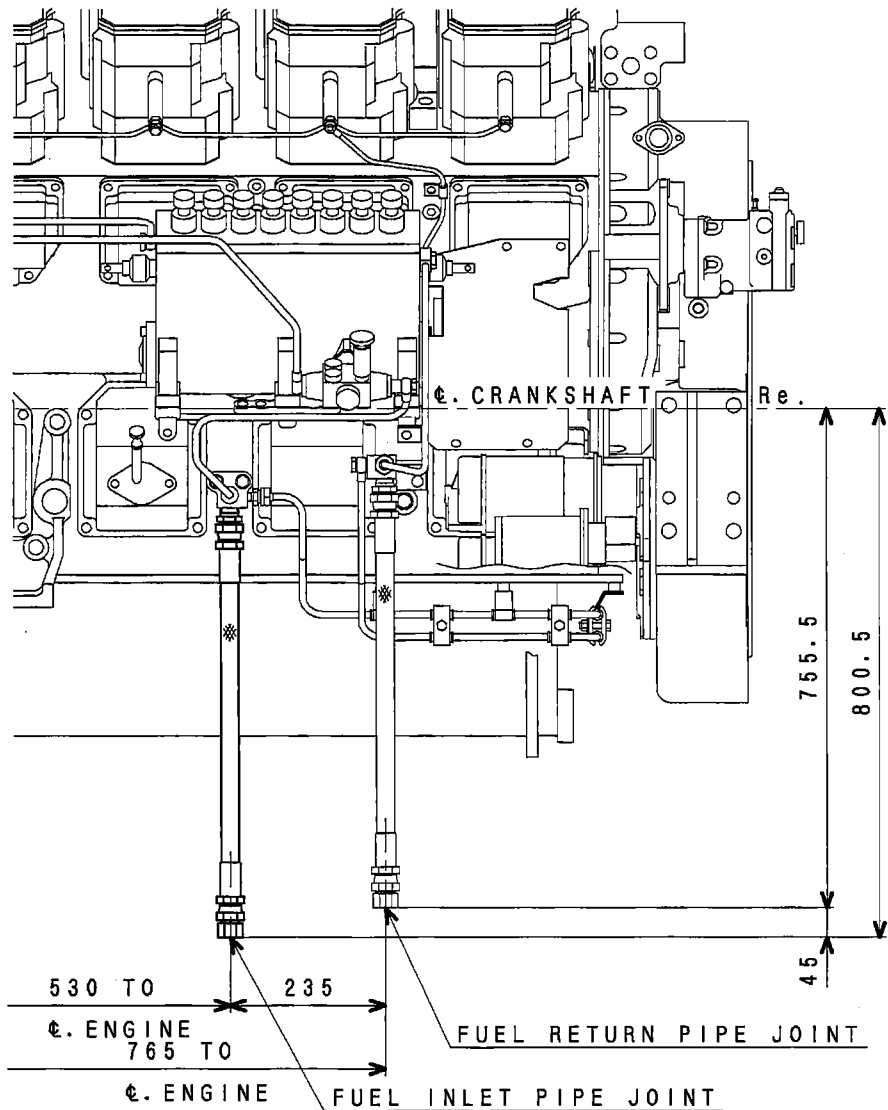
M/C

▲				3rd ANGLE PROJECTION 尺度 SCALE
▲				
▲	4590-H423	12.11.19	谷戸	
CHG	EO-NO	DATE	CHK	
認可 APPD	橋口	検図 CHK	竹 福 谷 田	製図 DRN
				谷 錦 戸 島
				1986. 2. 2

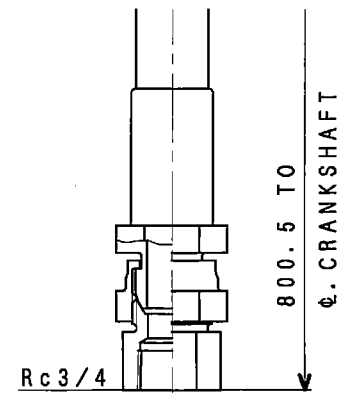
S16R
FUEL FILTER PIPING
三菱重工業株式会社 汎用機・特車事業本部
MITSUBISHI HEAVY INDUSTRIES, LTD. GENERAL MACHINERY & SPECIAL VEHICLE DEPARTMENTS.
図面番号 37896-62002
DRAWING No. 37896-62002

注記 (1) 本図のF.Oエレメントは、軽油用である。

① 新図 ② サイズ ③ 別立品 ④ 旧引図 ⑤ 切削品 ⑥ その他(購入品)



DETAIL OF INLET PIPE JOINT



DETAIL OF INLET PIPE JOINT

NOTE (1) THE ☆ MARKED PARTS ARE LOOSE SUPPLY.

NO.	PARTS NO.	PARTS NAME	Q'TY
5	F4521-20000	NUT, UNION	1
4	F8000-32000	STEEL BALL, BEARING	1
3	F4540-20000	CONNECTOR	1
2	45950-51700	PIPE, FLEXIBLE	1
1	45950-11300	CONNECTOR	1

MHI CONFIDENTIAL

CHG	EO-NO	DATE	CHK
認可 APPD	橋	三 上 戸	製 図 DRN 浅沼
2008.12.10			

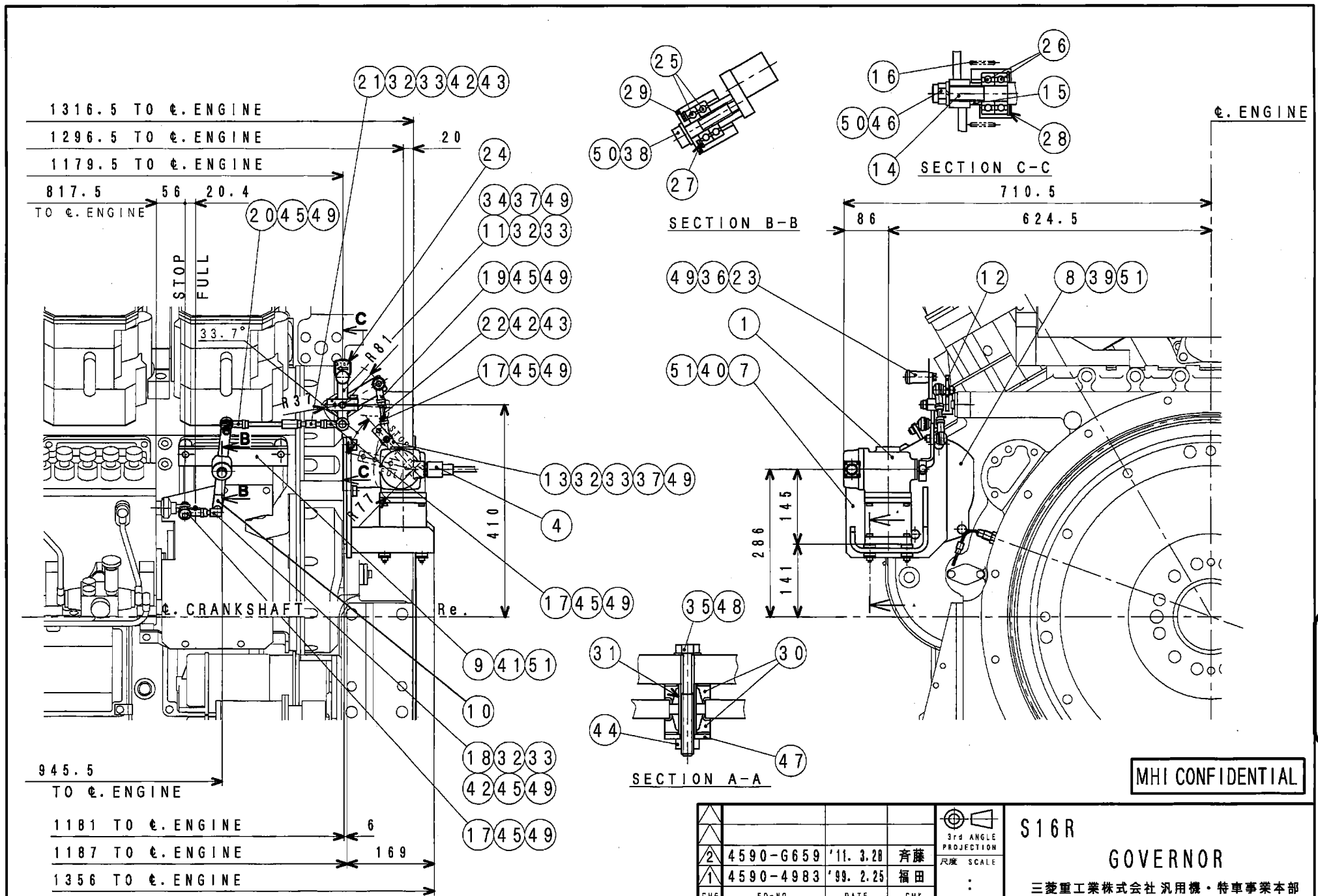
S16R
FUEL INLET PIPING
三菱重工業株式会社 汎用機・特車事業本部
MITSUBISHI HEAVY INDUSTRIES, LTD. GENERAL MACHINERY & SPECIAL VEHICLE HEADQUARTERS.
図面番号
DRAWING No. 37896-62112

注記 (2) 本図の符号 (4)(5) は、燃料入口盲栓である。(エンジン出荷状態)
(1) 本図は、図番37896-62101に対しフレキホース及び先端コネクタを別送品としたものである。

出図
▲
汎特
2008
12.12

FULL-CAD

① 新図 ② サイズ A 3 ③ 組立図 ④ 2 脚踏車用品 ⑤ 3 板金溶接品 ⑥ 4 組立品 ⑦ 4 旧引図 ⑧ 5 切別品 ⑨ 6 その他(購入品)



注記 (2) 整定周波数範囲: 3575~5790Hz、エンジン回転数: 1500/1800rpm共用
 (1) 本図は、SG4017BR電子ガバナコントロールボックス(ユニット)仕様である。

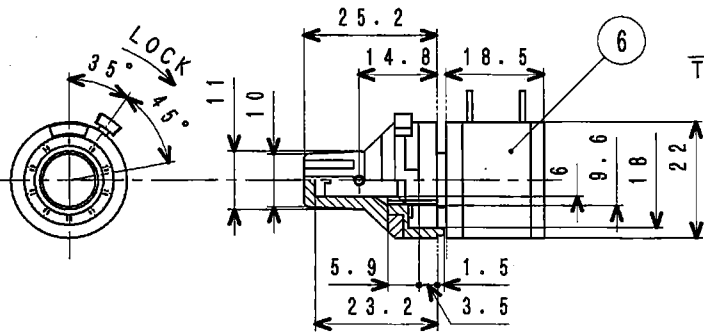
△					
△	4590-G659	'11. 3.28	齊藤		
△	4590-4983	'99. 2.25	福田		
CHG	ED-NO	DATE	CHK		
認可 APPD	橋	検図 CHK	竹 谷 福 田	製図 DRN	谷 銅 戸 島
				1998. 3. 9	

S16R
GOVERNOR
 三菱重工業株式会社 汎用機・特車事業本部
 MITSUBISHI HEAVY INDUSTRIES, LTD. GENERAL MACHINERY & SPECIAL VEHICLE HEADQUARTERS.
 図面番号 **37896-63005** 1/2
 DRAWING No.

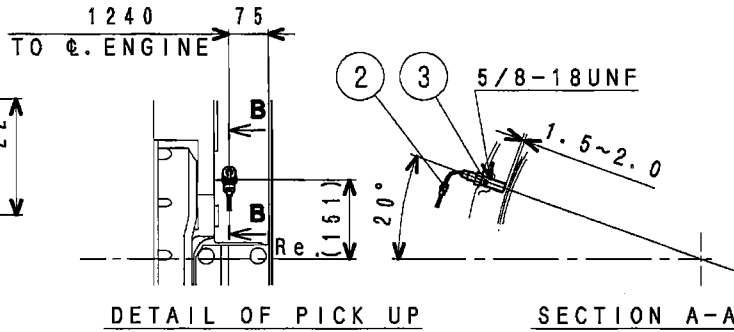
旧引
 況特
 2011
 12.12

FULL-CAD

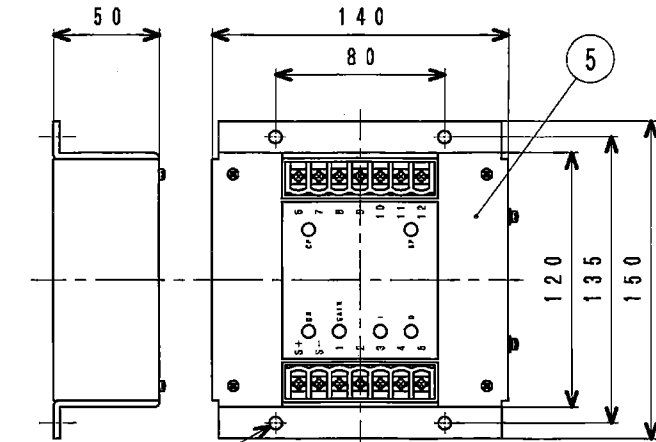
3 新図
 ① 旧引図
 ナイス
 A 3
 ① 組立図
 2 副総組品
 5 切削品
 3 板金溶接品
 6 その他(購入品)
 4 組立品
 6 その他(購入品)



POTENTIOMETER



DETAIL OF PICK UP SECTION A-A

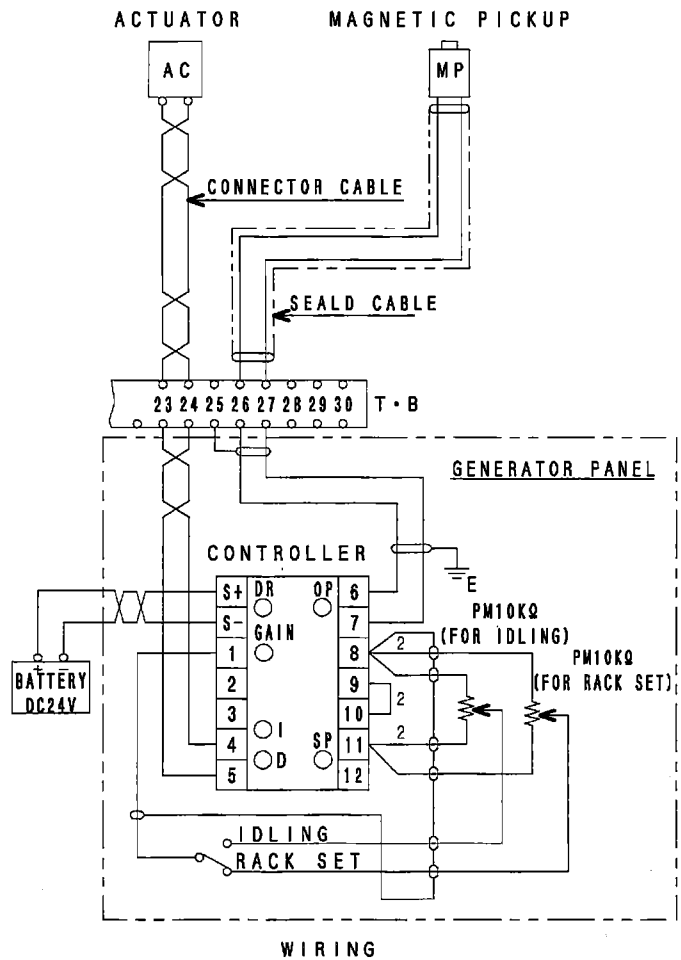


CONTROLLER

NOTE (1) THE ☆ MARKED PARTS ARE LOOSE SUPPLY.

No.	PARTS NO.	PARTS NAME	Q'TY
51	F2515-12000	WASHER, SPRING	6
50	F2515-10000	WASHER, SPRING	2
49	F2515-08000	WASHER, SPRING	9
48	F2515-06000	WASHER, SPRING	4
47	08302-06000	WASHER	4
46	F2445-10000	NUT, SELF LOCKING	1
45	F2300-08000	NUT	6

44	F2300-06000	NUT	4
43	09413-00800	NUT, LOCK	2
42	33063-11400	NUT	3
41	F1035-12065	BOLT	2
40	F1035-12035	BOLT	3
39	F1035-12025	BOLT	1
38	F1035-10040	BOLT	1
37	F1115-08025	BOLT	2
36	F1035-08020	BOLT	1
35	F1035-06050	BOLT	4
34	F2846-06000	PIN, DOWEL	1
33	48000-96600	SEAL	5
32	34461-07700	WIRE, SEAL	5
31	47500-34200	SPACER	4
30	47500-34100	RUBBER	8
29	32561-18300	PLATE, END	1
28	F3202-03200	RING, SNAP	1
27	F3202-03000	RING, SNAP	1
26	F8007-06201	BEARING, BALL	2
25	F8007-06200	BEARING, BALL	2
24	45940-30101	PLATE, CAUTION	1
23	51776-03000	GRIP	1
22	05902-08060	ROD	1
21	05903-00100	ROD	1
20	37761-26800	LINK, L. H.	1
19	35A61-38701	JOINT, BALL (MB-L)	1
18	37563-15401	JOINT, BALL MALE	1
17	35A61-38601	JOINT, BALL (MB-R)	3
16	32561-48600	SPRING	1
15	91365-03200	SPACER	1
14	37761-27100	SHAFT, CONTROL	1
13	47520-31200	LEVER	1
12	47520-34400	LEVER, L. H., B	1
11	37761-37200	LEVER, L. H., A	1
10	37761-27800	LEVER, LINK, L. H	1
9	37761-07600	BRACKET, LEVER, L. H	1
8	47500-39901	COVER	1
7	47520-31101	BRACKET, ACTUATOR	1
☆ 6	04410-33700	POTENTIOMETER	2
☆ 5	04410-33100	CONTROLLER	1
☆ 4	04410-32902	CONNECTOR	1
3	04410-43410	PICK UP	1
☆ 2	04410-43500	CONNECTOR	1
1	04410-32011	ACTUATOR	1



WIRING

MHI CONFIDENTIAL

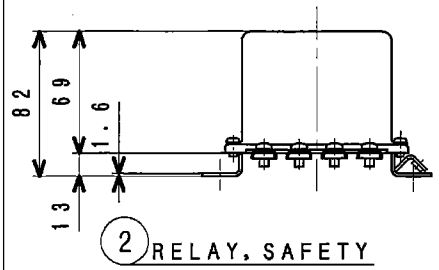
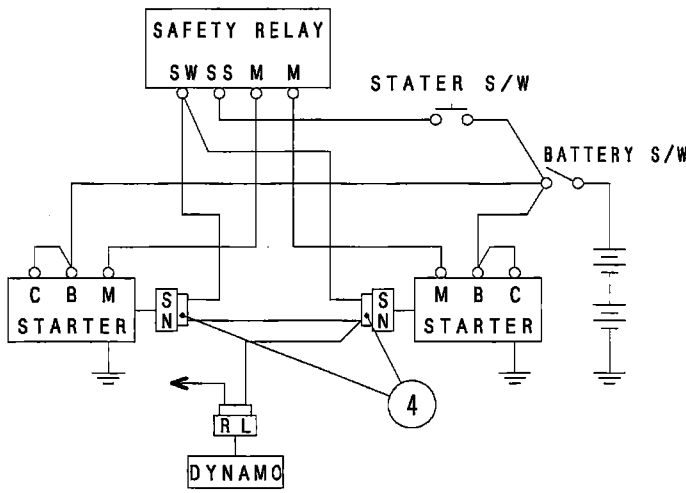
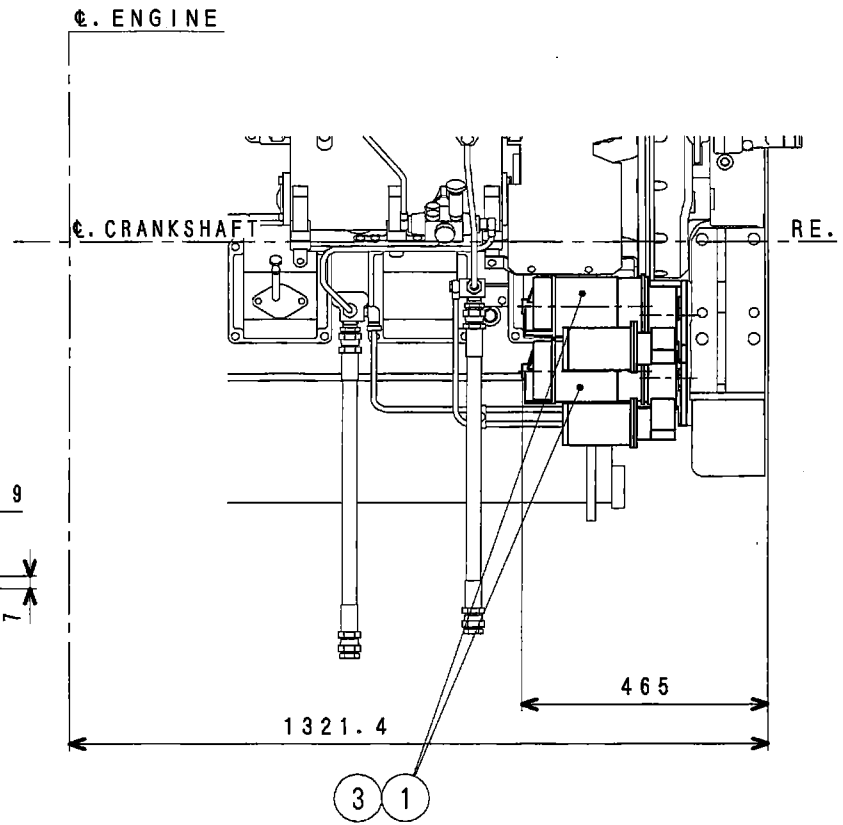
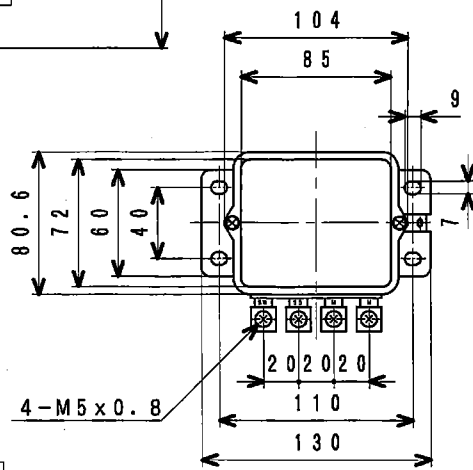
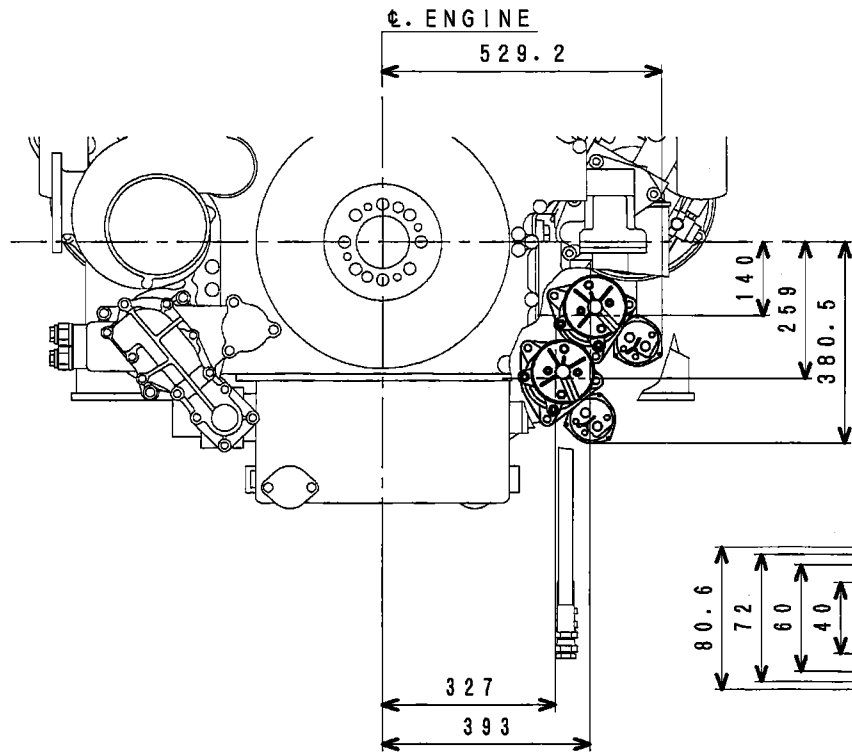
2	4590-G659	'11. 3.20	青藤
1	4590-4983	'99. 2.25	福田
CHG	ED-NO	DATE	CHK
認可 APPD	橋	換圖 CHK	竹 福 製圖 谷 銅
			戸 島
			1998. 3. 9

S16R
GOVERNOR
三菱重工業株式会社 汎用機・特車事業本部
MITSUBISHI HEAVY INDUSTRIES, LTD. GENERAL MACHINERY & SPECIAL VEHICLE HEADQUARTERS.
図面番号 37896-63005
DRAWING No. 37896-63005 2/2

旧引
況特
2011
12.12

FULL-CAD

3 新図 1 変更 2 訂正 3 追加 4 削除
① 組立図 ② 部品図 ③ 板金接合品 ④ 組立品
5 印刷品 6 その他(購入品)



NOTE (1) THE ☆ MARKED PARTS ARE LOOSE SUPPLY.

☆	4	F8665-02100	CONNECTOR	2
	3	F1805-12035	BOLT	6
☆	2	04322-40100	SAFETY MAGNETIC	1
	1	37766-20201	STARTER 7.5kW	2
No.	PARTS NO.		PARTS NAME	Q'TY

MHI CONFIDENTIAL

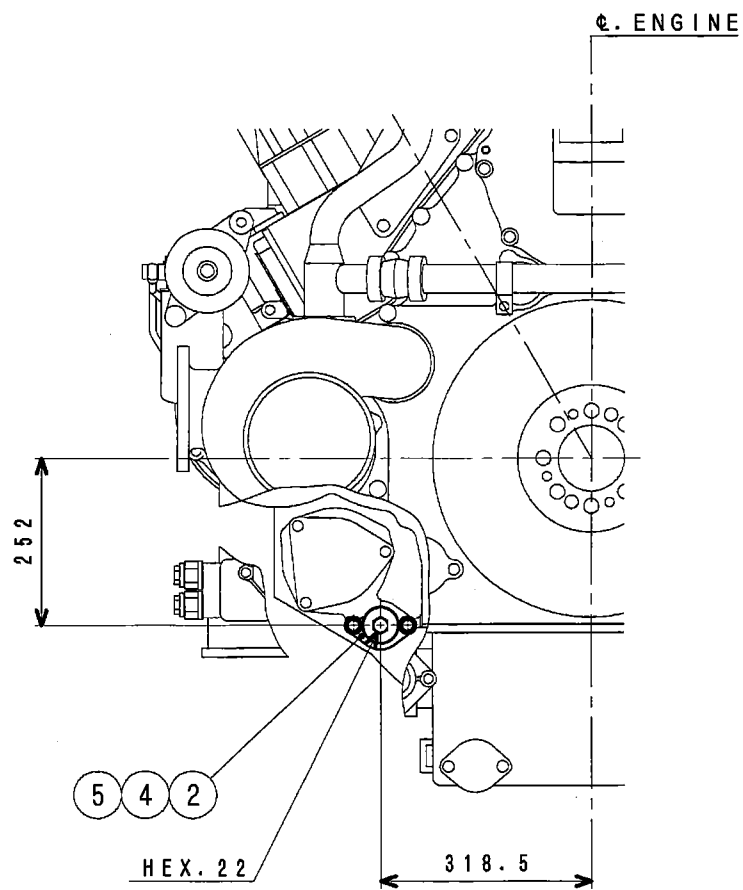
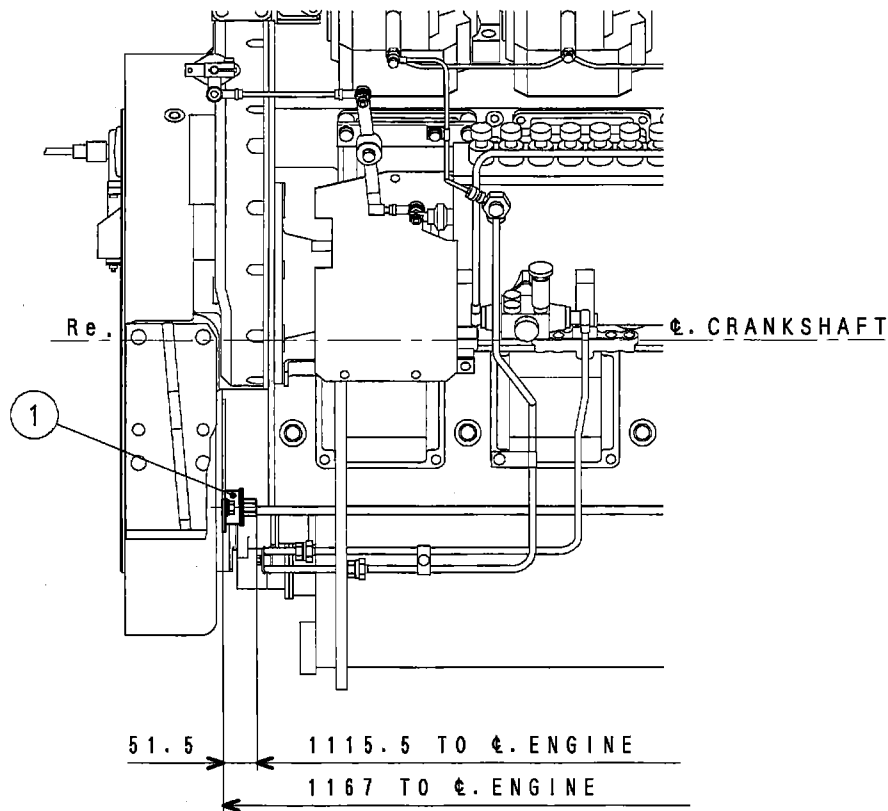
2	4590-G660	'11. 3.29	齊藤
1	4590-G941	'00. 8.28	福田
CHG	EO-NO	DATE	CHK
認可 APPD	橋	検図 CHK	竹 福 谷 田
		製図 DRN	谷 戸
			1997. 8. 8

S16R
STARTING MOTOR
 三菱重工業株式会社汎用機・特車事業本部
 MITSUBISHI HEAVY INDUSTRIES, LTD. GENERAL MACHINERY & SPECIAL VEHICLE HEADQUARTERS.
 図面番号 **37896-66001**

3 新 図 3 新 図
 4 旧 引 図 4 旧 引 図
 1 組 立 図 1 組 立 図
 2 鋼 鉄 機 構 品 2 鋼 鉄 機 構 品
 3 板 金 溶 接 品 3 板 金 溶 接 品
 4 組 立 品 4 組 立 品
 5 切 削 品 5 切 削 品
 6 その他 (購 入 品) 6 その他 (購 入 品)

旧引
 汎特
 2011
 12-12

FULL-CAD



NOTE (1) THE ☆ MARKED PARTS ARE LOOSE SUPPLY.

5	F2500-12000	WASHER, PLAIN	2
4	F1805-12020	BOLT	2
3	37571-01500	PLATE, CAUTION	1
2	37571-10300	FLANGE	1
1	37771-00102	GEAR, TURNING	1
No.	PARTS NO.	PARTS NAME	Q' TY

MHI CONFIDENTIAL

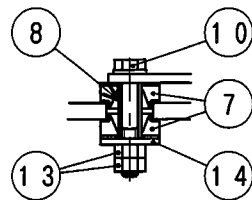
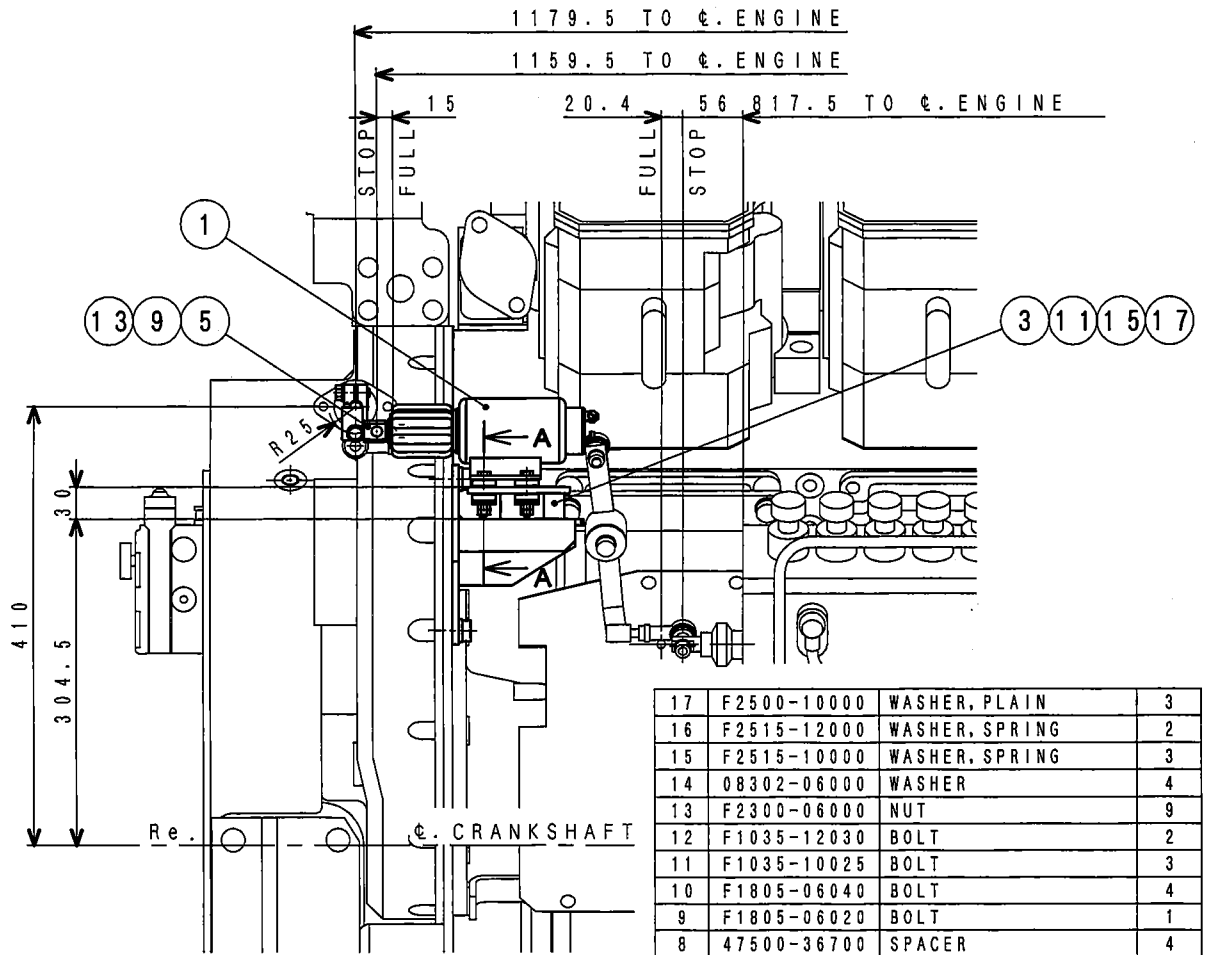
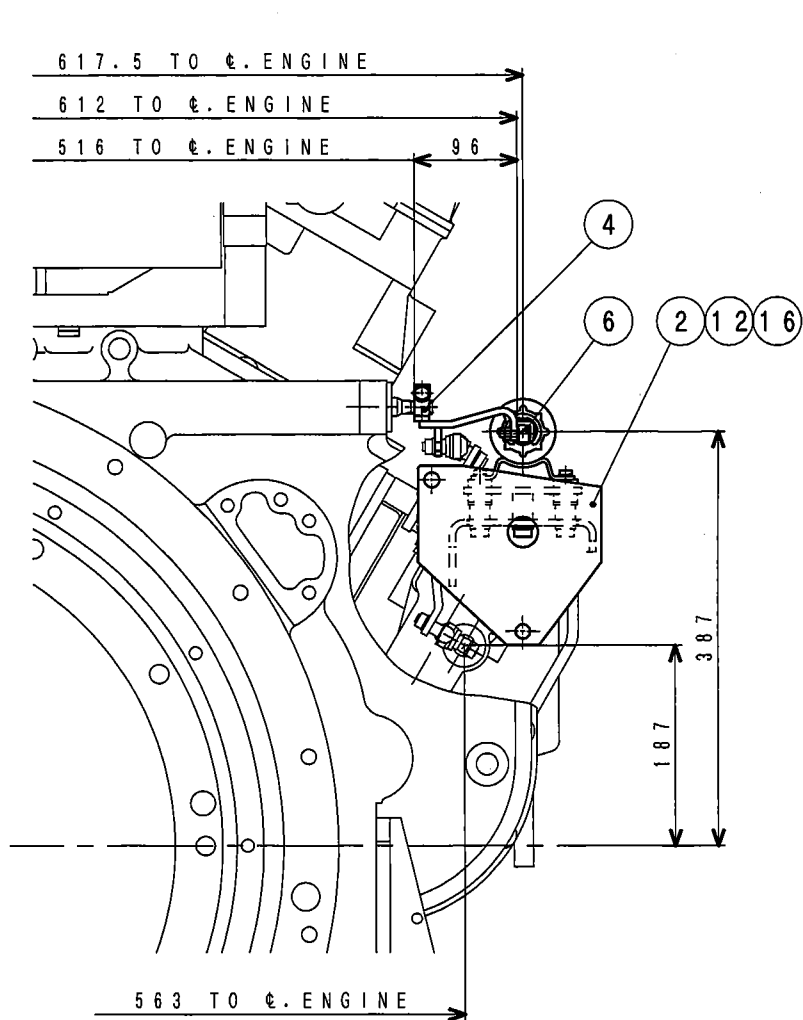
△				
△				
△	4590-G6661	'11. 3.29	青藤	
CHG	ED-NO	DATE	CHK	
認可 APPD	橋 口	検図 CHK	竹 谷	福田 谷 戸
				製図 DRN
				1997. 8. 8

S16R
TURNING DEVICE
三菱重工業株式会社汎用機・特車事業本部
MITSUBISHI HEAVY INDUSTRIES, LTD. GENERAL MACHINERY & SPECIAL VEHICLE HEADQUARTERS.
図面番号 37896-71001
DRAWING No.

旧引
汎特
2011
12.12

FULL-CAD

3 新図 ナイス
② 旧引図 A 3
① 組立図
2 鋼線螺絲品
5 切削品
3 板金溶接品
4 組立品
6 その他(購入品)



SECTION A-A

17	F2500-10000	WASHER, PLAIN	3
16	F2515-12000	WASHER, SPRING	2
15	F2515-10000	WASHER, SPRING	3
14	08302-06000	WASHER	4
13	F2300-06000	NUT	9
12	F1035-12030	BOLT	2
11	F1035-10025	BOLT	3
10	F1805-06040	BOLT	4
9	F1805-06020	BOLT	1
8	47500-36700	SPACER	4
7	47500-34100	RUBBER, CUSHION	8
6	37587-00900	FOLLOWER	1
5	37787-03200	ADAPTER	1
4	37761-36902	LEVER, R. H., RUN-ON	1
3	47520-25600	PLATE, SOLENOID	1
2	37787-03300	BRACKET, SOLENOID	1
1	04400-08801	SOLENOID	1
No.	PARTS NO.	PARTS NAME	Q'TY

MHI CONFIDENTIAL

4	4590-H424	'12.11.19	谷戸
3	4590-G662	'11.3.28	齊藤
2	4590-D687	'07.10.4	齊藤
1	4590-7908	'01.6.20	福田
認可 APPD	検回 CHK	DATE	CHK
	竹 福 谷 田	製回 DRN	谷 鍋 戸 島
		1997.10.31	

3rd ANGLE
PROJECTION
尺度 SCALE

S16R

STOP SOLENOID

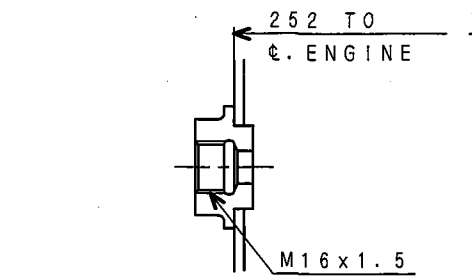
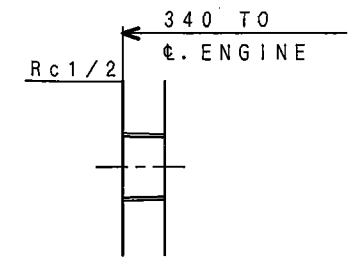
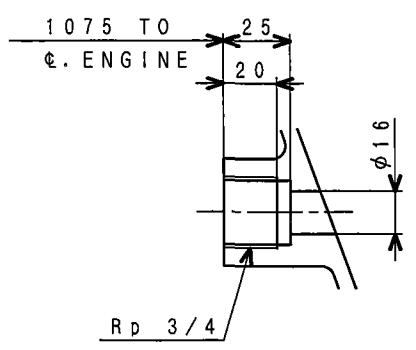
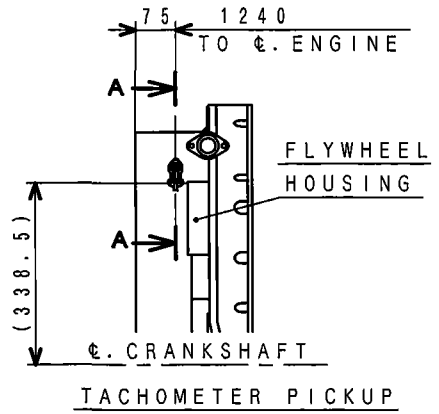
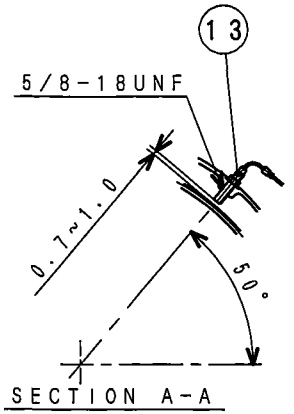
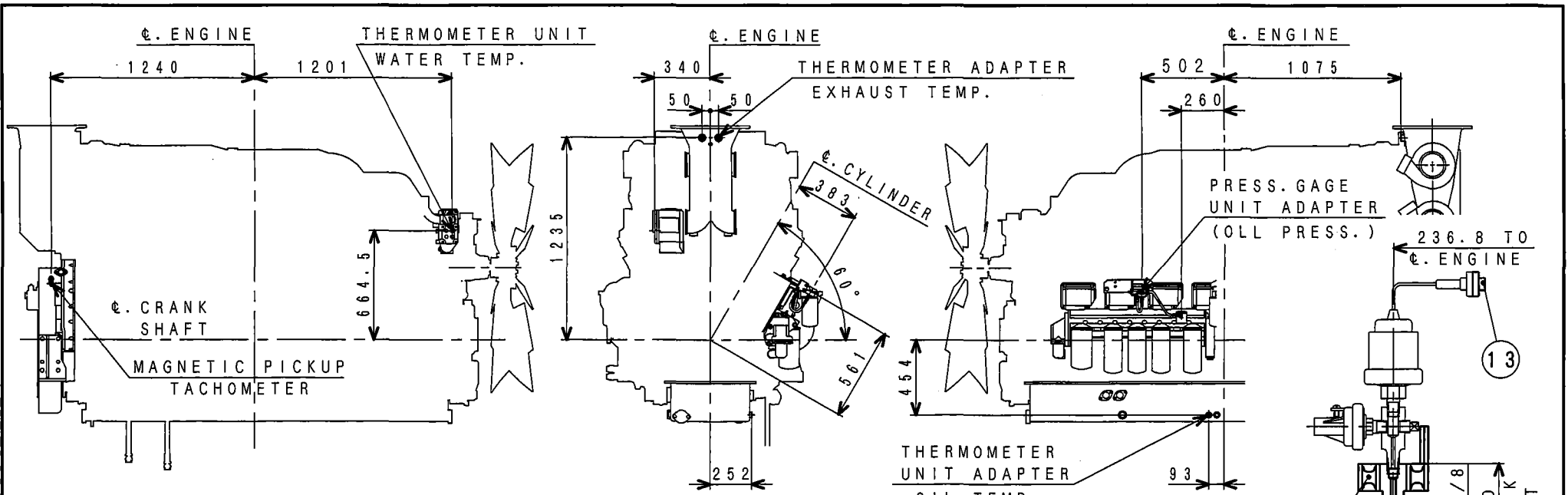
三菱重工業株式会社 汎用機・特車事業本部
 MITSUBISHI HEAVY INDUSTRIES, LTD. GENERAL MACHINERY & SPECIAL VEHICLE HEADQUARTERS.

図面番号 37896-87502
 DRAWING No. 37896-87502

注記 (1) 本図のソレノイドは、シンクロスタート製である。

3 新図 サイズ
 ① 旧引図 A 3
 ① 組立図 2 脚継ぎ部品 3 板金溶接品 4 組立品
 5 切削品 6 その他(購入品)

M/C



NOTE (1) THE ☆ MARKED PARTS ARE LOOSE SUPPLY.

No.	PARTS NO.	PARTS NAME	Q'TY
☆ 13	MH052-231	CONNECTOR	1
12	04410-43410	PICKUP, MAGNETIC	1
11	F2515-12000	WASHER, SPRING	2
10	F2515-10000	WASHER, SPRING	2
9	F1035-12070	BOLT	2
8	F1035-10025	BOLT	2
7	F4560-06300	ELBOW	1
6	F4540-06300	CONNECTOR	2
5	F2300-10000	NUT	2
4	45951-04028	PIPE, FLEXIBLE	1
3	45951-04024	PIPE, FLEXIBLE	1
2	45644-47900	MOUNT	1
1	47520-40701	BRACKET	1

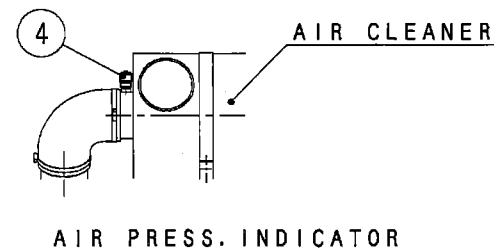
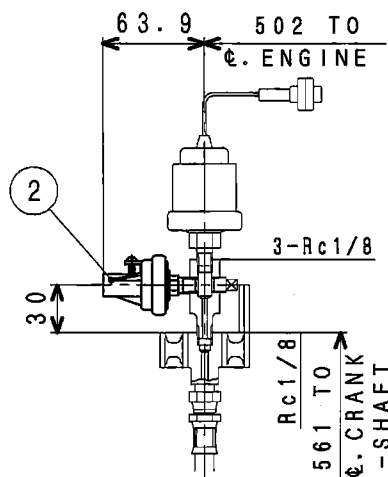
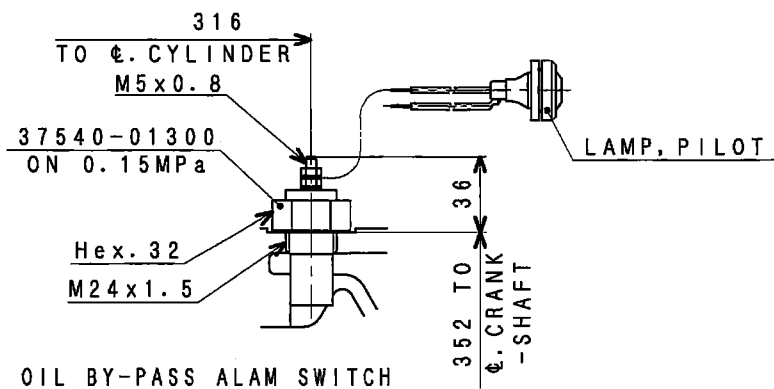
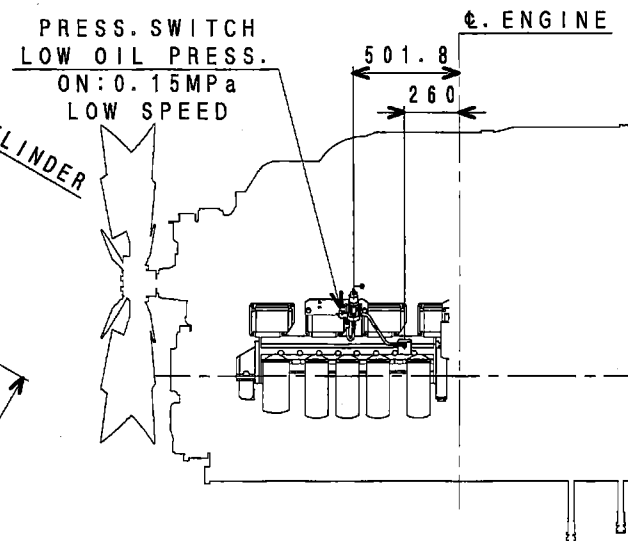
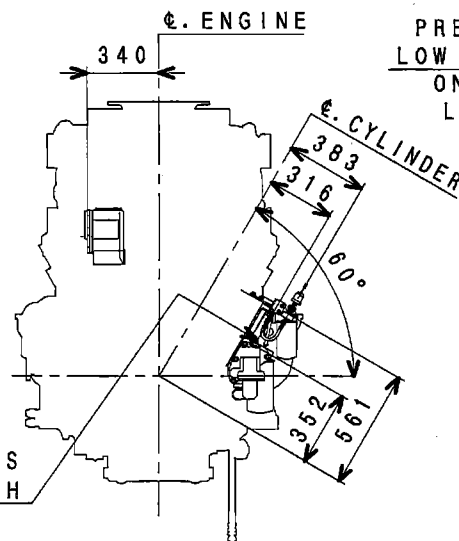
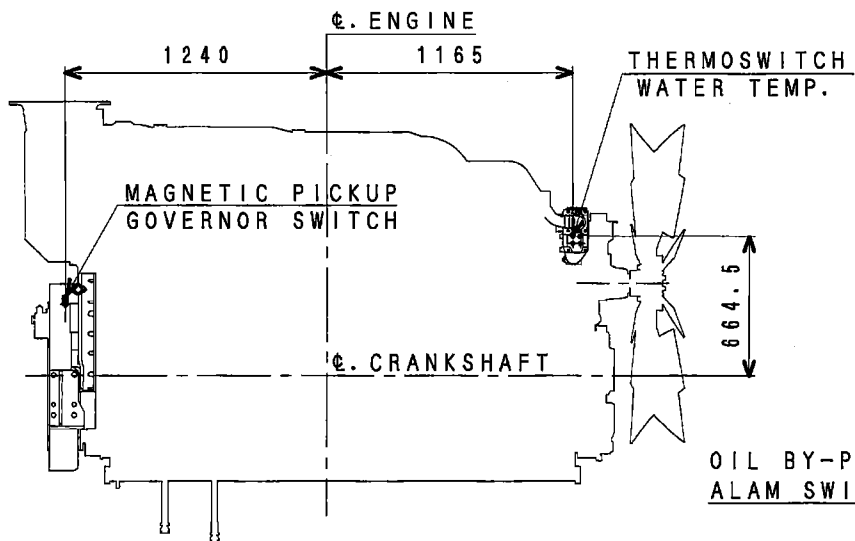
MHI CONFIDENTIAL

CHG	EO-NO	DATE	CHK
認可 APPD	検図 CHK	塚 中 村	製図 谷 戸
2012.11.29			

S16R
METER & SENSOR
 三菱重工業株式会社 汎用機・特車事業本部
 MITSUBISHI HEAVY INDUSTRIES, LTD. GENERAL MACHINERY & SPECIAL VEHICLE HEADQUARTERS.
 図面番号 37896-90119
 DRAWING NO.

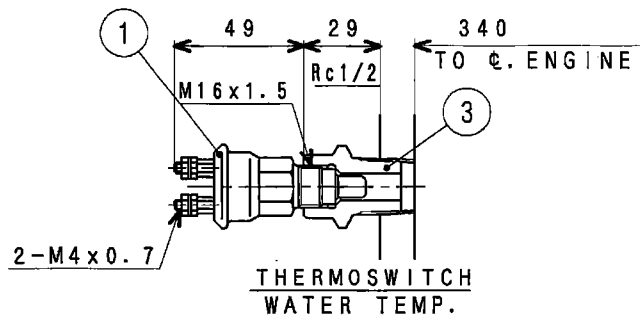
①新図 ②入れ ③組立図 ④ 部品名 ⑤ 部品名 ⑥ その他(購入品)
 ④旧図 ③ A 3 ⑤ 部品名 ⑥ その他(購入品)

M/C



NOTE (1) THE ☆ MARKED PARTS ARE LOOSE SUPPLY.

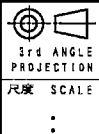
No.	PARTS NO.	PARTS NAME	Q'TY
☆ 4	47220-34401	INDICATOR 6.2kPa ON	4
☆ 3	45600-42902	CONNECTOR	1
2	04442-45400	PRESS. SWITCH 0.15MPa ON	1
1	04442-34500	THERMO SWITCH 98°C ON	1



PRESS. SWITCH OIL PRESS.

MHI CONFIDENTIAL

3	4590-6664	'11. 3.29	青藤
2	4590-7910	'01. 6.20	福田
1	4590-4698	'98.10.27	福田
CHG	ED-NO	DATE	CHK
認可 APPD	橋	換図 CHK	仁 福田 青藤
			尾 田 藤
			1998. 8.20



S16R

ALARM SWITCH

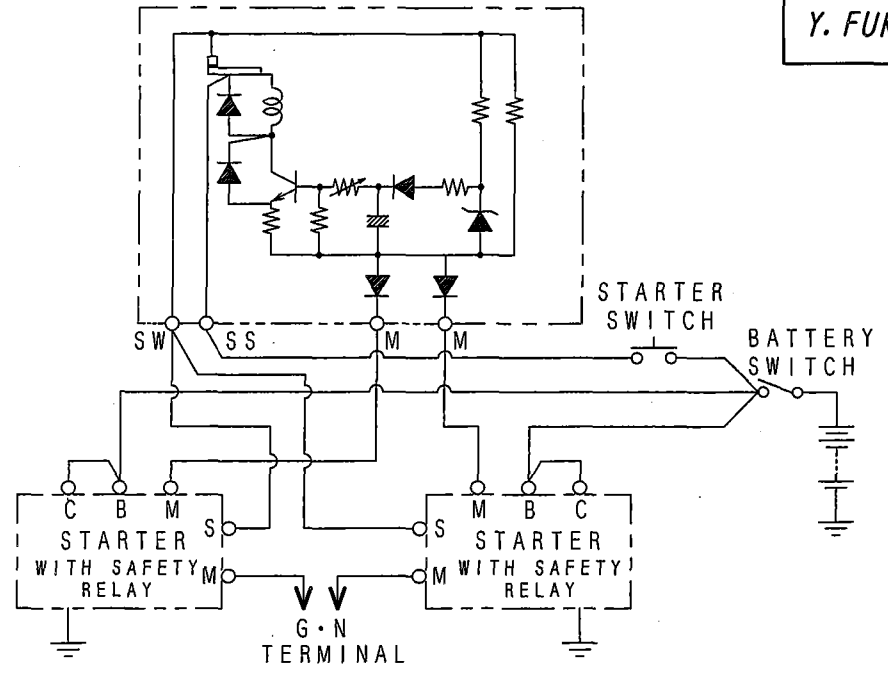
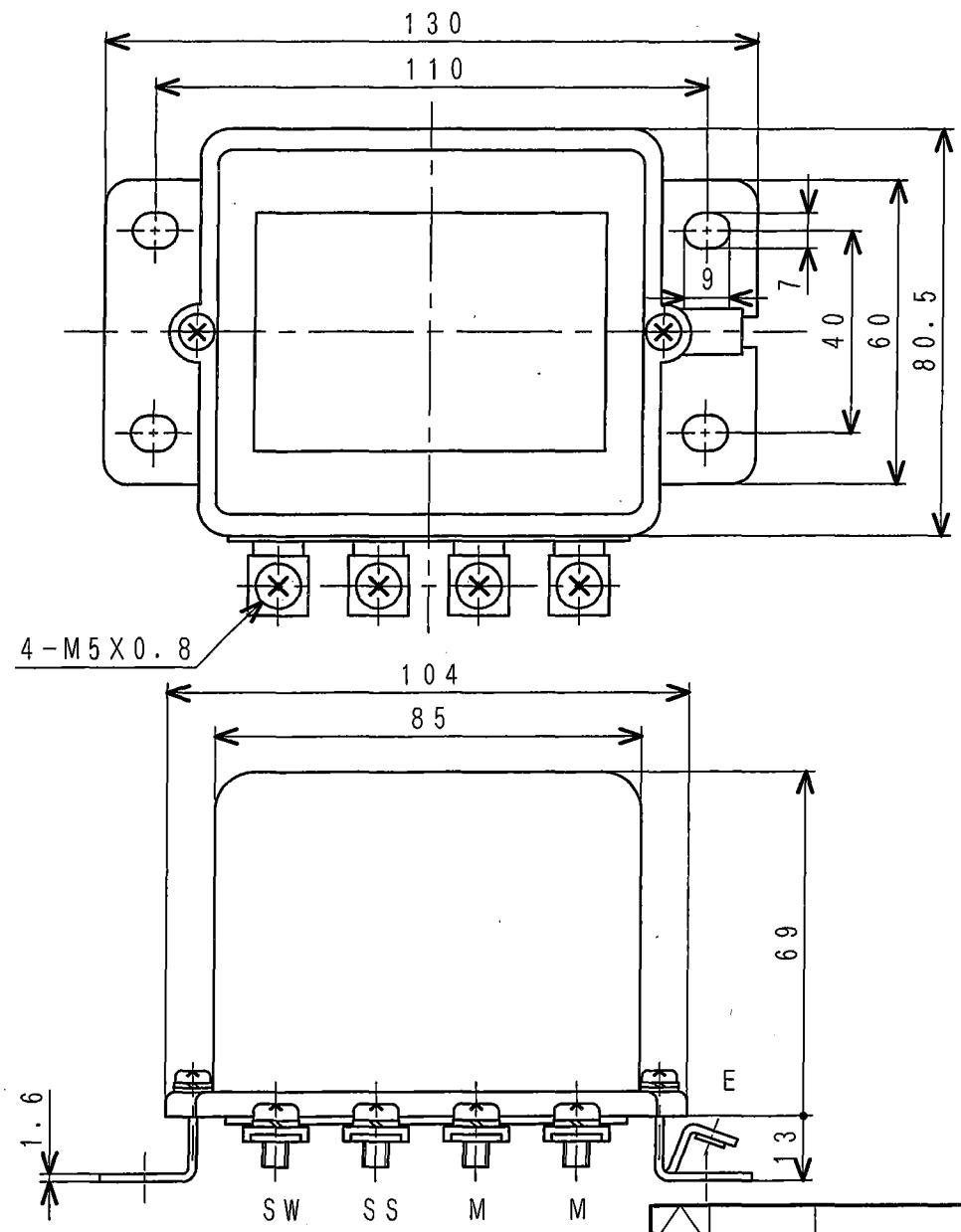
三菱重工業株式会社 汎用機・特車事業本部
MITSUBISHI HEAVY INDUSTRIES, LTD. GENERAL MACHINERY & SPECIAL VEHICLE HEADQUARTERS.

図面番号 37896-90207

旧引
汎特
2011
12.12

FULL-CAD

CHECKED BY
Y. FUKUDA



WIRING

仕 様		
公称電圧	24V	
定 格	30秒	
リレ-動作仕様 (25℃時)	動作電圧	8V~24V
	作動同期 (24V)	SS-SW間ON-OFF1サイクル 2.5~3.0 sec
接点要量	6A	
耐振性能	JIS D 1601 3類B種ニヨル(6.8G)	
使用温度	-20 ~ +50℃	
保護方式	防滴形	

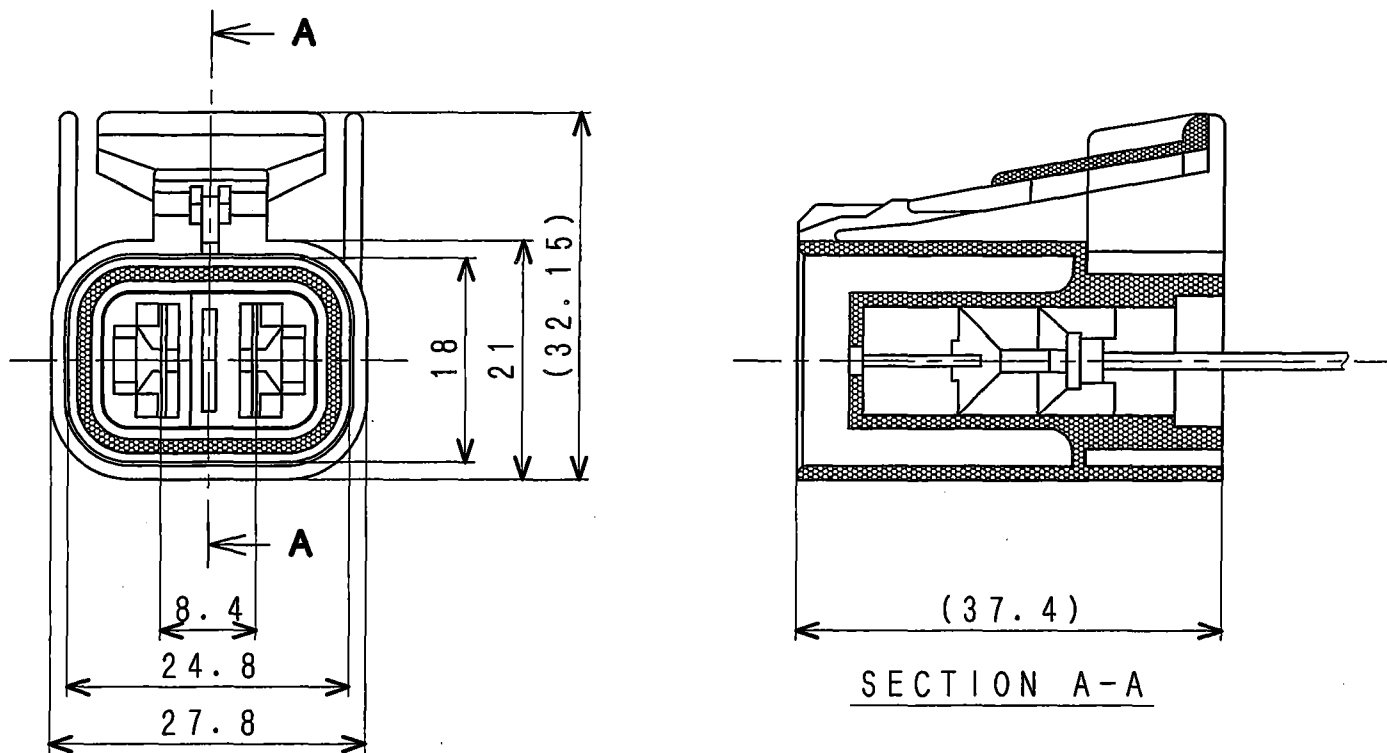
MHI CONFIDENTIAL

2	'08.11.27
1	'93. 2.16
REV.	DATE

SAFETY RELAY
PART NO. 04322-40100

DWG. NO. S10-0150
 MITSUBISHI HEAVY INDUSTRIES, LTD.
 GENERAL MACHINERY & SPECIAL VEHICLE HEADQUARTERS

CHECKED BY
Y. FUKUDA



本部品は、矢崎品番7323-6228-30相当品である。

MHI CONFIDENTIAL

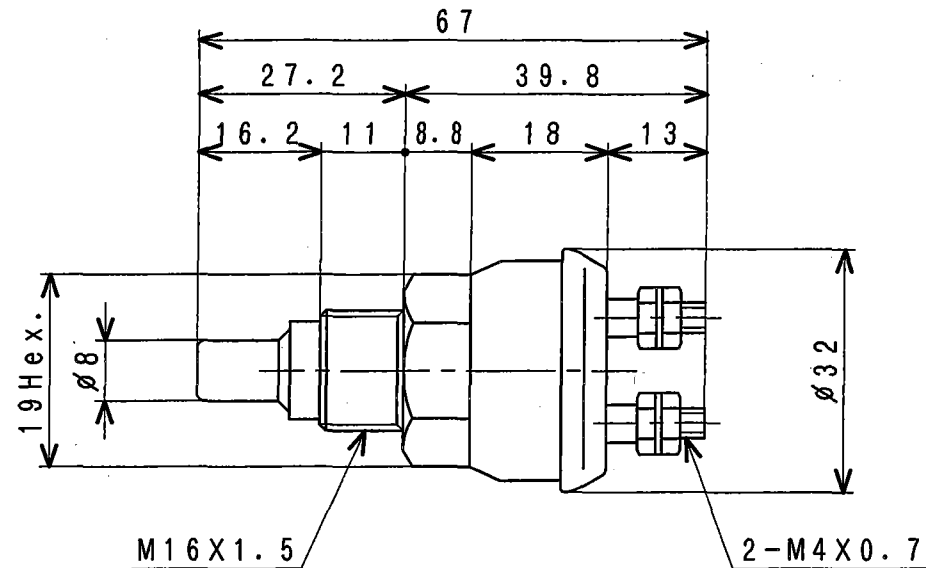
△	
△	
△	
REV.	DATE

CONNECTOR
PART NO. 32B90-00300

DWG. NO. S10-0550
 MITSUBISHI HEAVY INDUSTRIES, LTD.
 GENERAL MACHINERY & SPECIAL VEHICLE HEADQUARTERS

CHECKED BY

NAKAMURA



CONNECTING TYPE	PARTS NO.	SET TEMP. (°C)		CONTACTOR CAPACITY	WEIGHT
		ON	OFF		
NO (A-CONTACT)	04442-34300	92±2	85±2	DC24V 0.05A~3A DC100V 0.05A~0.4A AC100V 0.05A~1A	60g
NO (A-CONTACT)	04442-34400	95±2	88±2		
NO (A-CONTACT)	04442-34500	98±2	91±2		
NO (A-CONTACT)	04442-34600	110±2	103±2		
NO (A-CONTACT)	04442-34700	105±2	98±2		
NO (A-CONTACT)	04442-34800	101±2	94±2		
NO (A-CONTACT)	04442-34900	88±2	81±2		
NO (A-CONTACT)	04442-38700	115±2	108±2		
NO (A-CONTACT)	37547-04100	101 ⁰ ₋₂	94±2		

MHI CONFIDENTIAL

6	'00.4.26
8	'08.6.5
7	'06.3.17
REV.	DATE

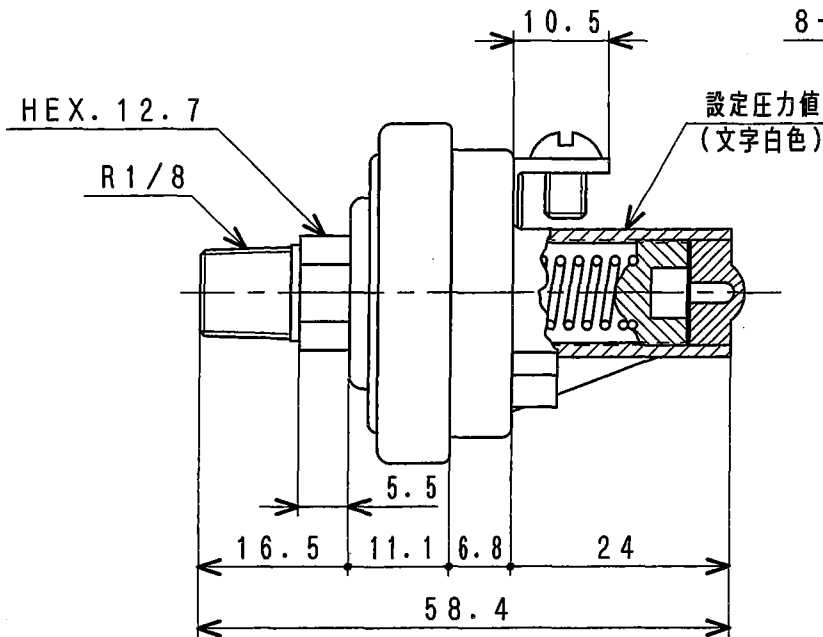
THERMO SWITCH

DWG. NO. S11-0551

MITSUBISHI HEAVY INDUSTRIES, LTD.
GENERAL MACHINERY & SPECIAL VEHICLE HEADQUARTERS

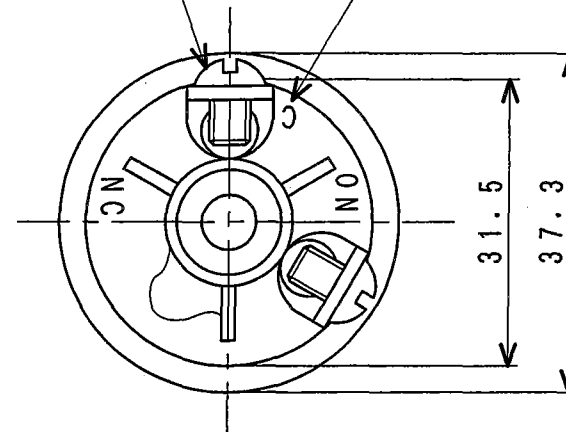
CHECKED BY

Y. FUKUDA



8-32X1/4UNF SCREW

浮き出し文字



5. ON-OFF差 : 5%以内
 4. 接点形式 : (NO) (NC)
 3. 使用温度範囲 : -40.0℃~+120.0℃
 2. 定 格 : 6VDC-15AMP, 12VDC-8AMP, 24VDC-4AMP,
 120VAC-1AMP, 240VAC-0.5AMP
 最小電流値: 0.05A
 仕 様 1. 最高許容圧力 : 1.05MPa (設定圧: 0.007~0.17MPa)
 1.75MPa (設定圧: 0.18~1.05MPa)

NO	04442-46500	0.15	±0.015
NO	04442-46400	0.10	±0.01
NO	04442-46300	0.05	±0.005
NC	04442-46100	6.2KPa	±0.62KPa
NC	04442-45900	0.40	±0.04
NC	04442-45800	0.35	±0.035
NC	04442-45700	0.30	±0.03
NC	04442-45600	0.25	±0.025
NC	04442-45500	0.22	±0.022
NC	04442-45400	0.15	±0.015
NC	04442-45300	0.10	±0.01
NC	04442-45200	0.05	±0.005
NC	04442-45100	0.03	±0.003
接点形式	PARTS NO.	ON	ALLOWANCE
		SET PRESS. MPa	

MHI CONFIDENTIAL

2	'08.6.5
1	'06.3.17
REV.	DATE

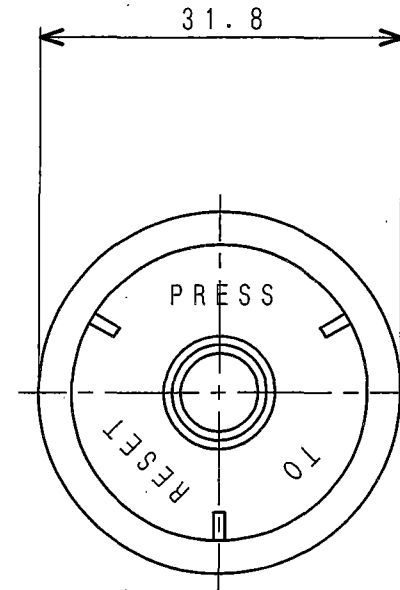
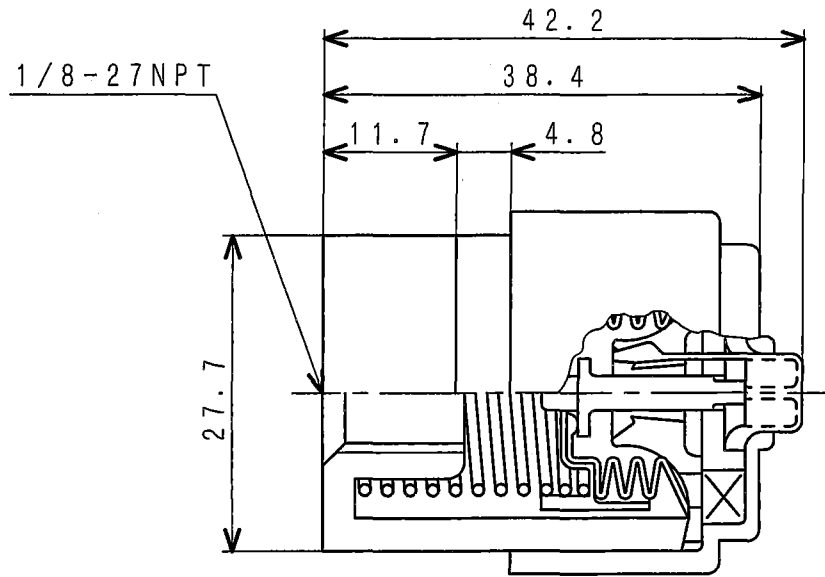
SWITCH, PRESS

DWG. NO. S11-0796

MITSUBISHI HEAVY INDUSTRIES, LTD.
 GENERAL MACHINERY & SPECIAL VEHICLE HEADQUARTERS

CHECKED BY

Y. FUKUDA



PARTS NO.	RESTRICTION (mmH ₂ O)
47220-30701	762±58
47220-34301	508±48
47220-34401	635±58

MHI CONFIDENTIAL

△	
△	
△	93 2/18
1	REV. DATE

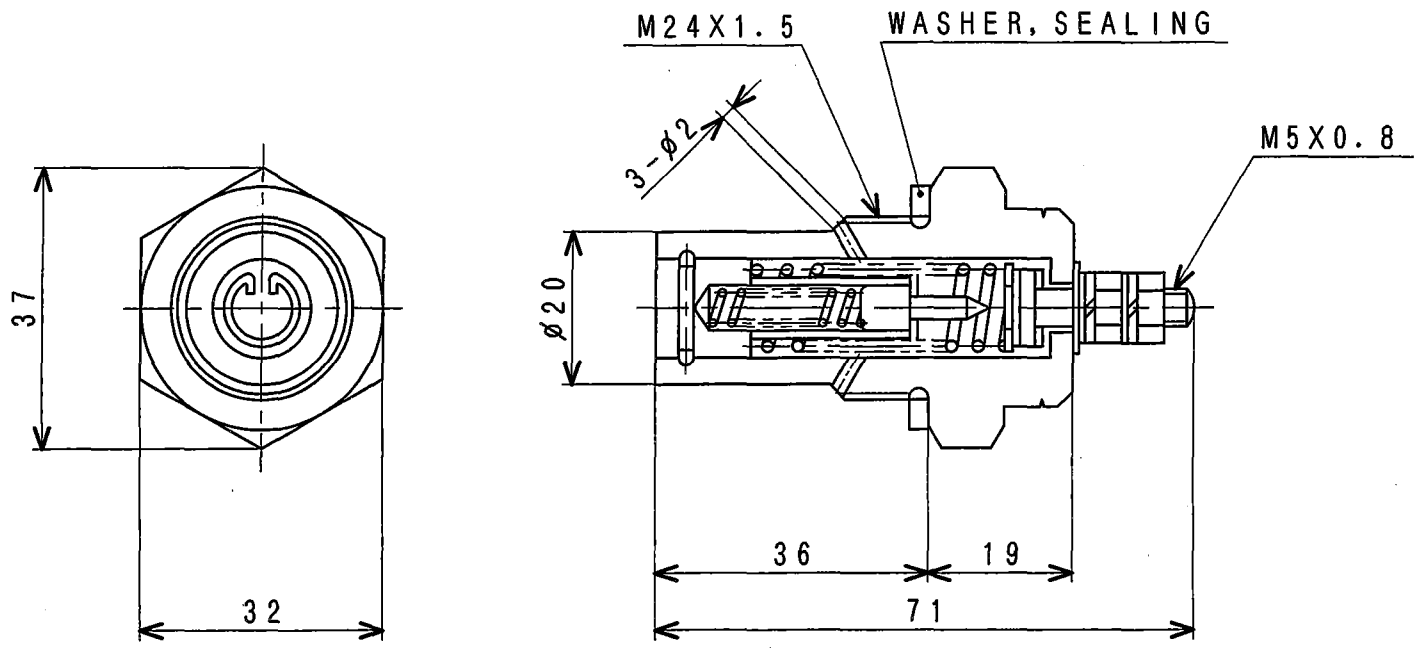
INDICATOR

DWG. NO. S11-0920

 MITSUBISHI HEAVY INDUSTRIES, LTD.
GENERAL MACHINERY & SPECIAL VEHICLE HEADQUARTERS

CHECKED BY

中村



SET PRESS. 0.15MPa

MHI CONFIDENTIAL

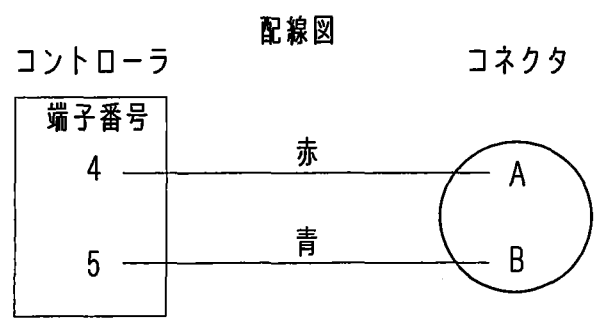
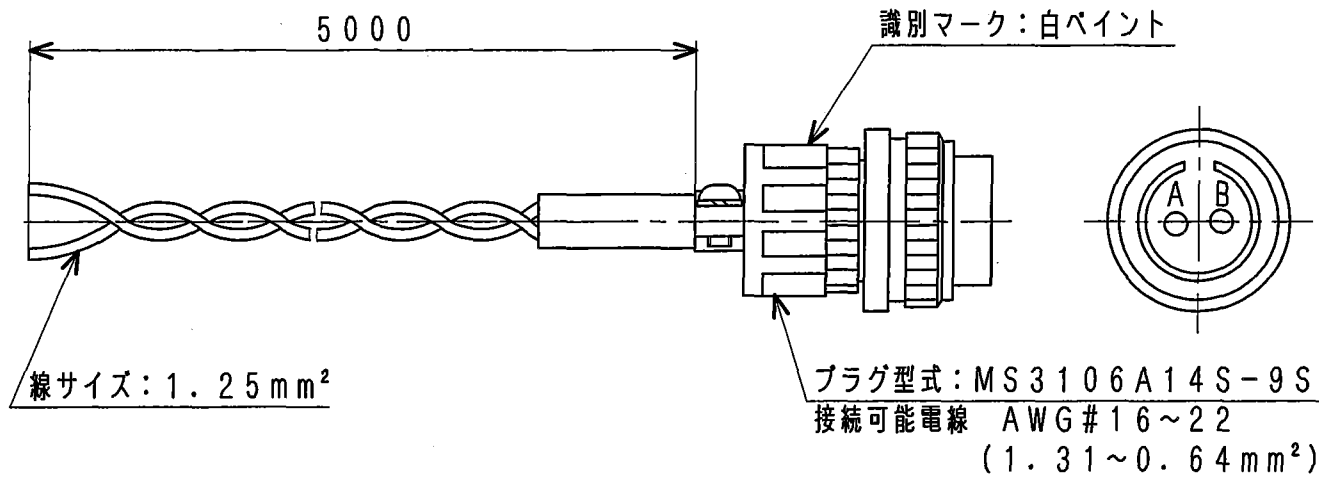
1	'08.6.6
REV.	DATE

ALARM, OIL FILTER
PART NO. 37540-01300

DWG. NO. S11-1370
MITSUBISHI HEAVY INDUSTRIES, LTD.
GENERAL MACHINERY & SPECIAL VEHICLE HEADQUARTERS

CHECKED BY

Y. FUKUDA



備考 使用先: コントローラ~アクチュエータ間の配線用部品として使用するツイストペアケーブルである。

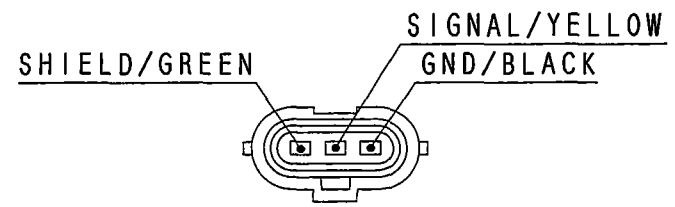
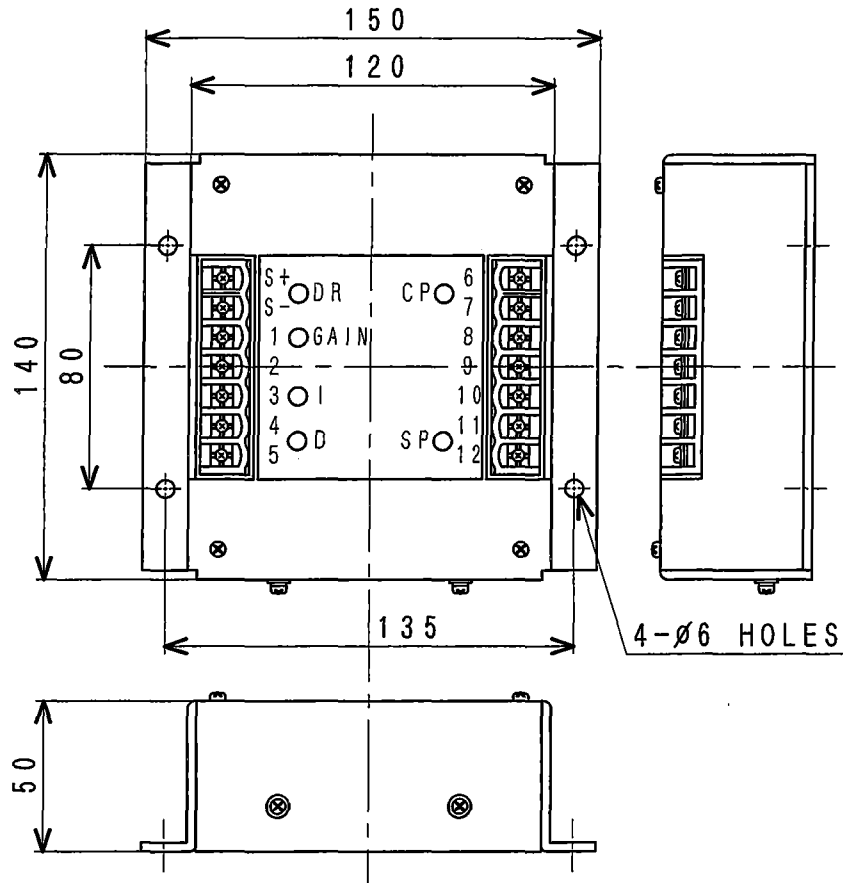
MHI CONFIDENTIAL

△	
△	
△	
REV.	DATE

CONNECTOR
 PART NO. 04410-32902

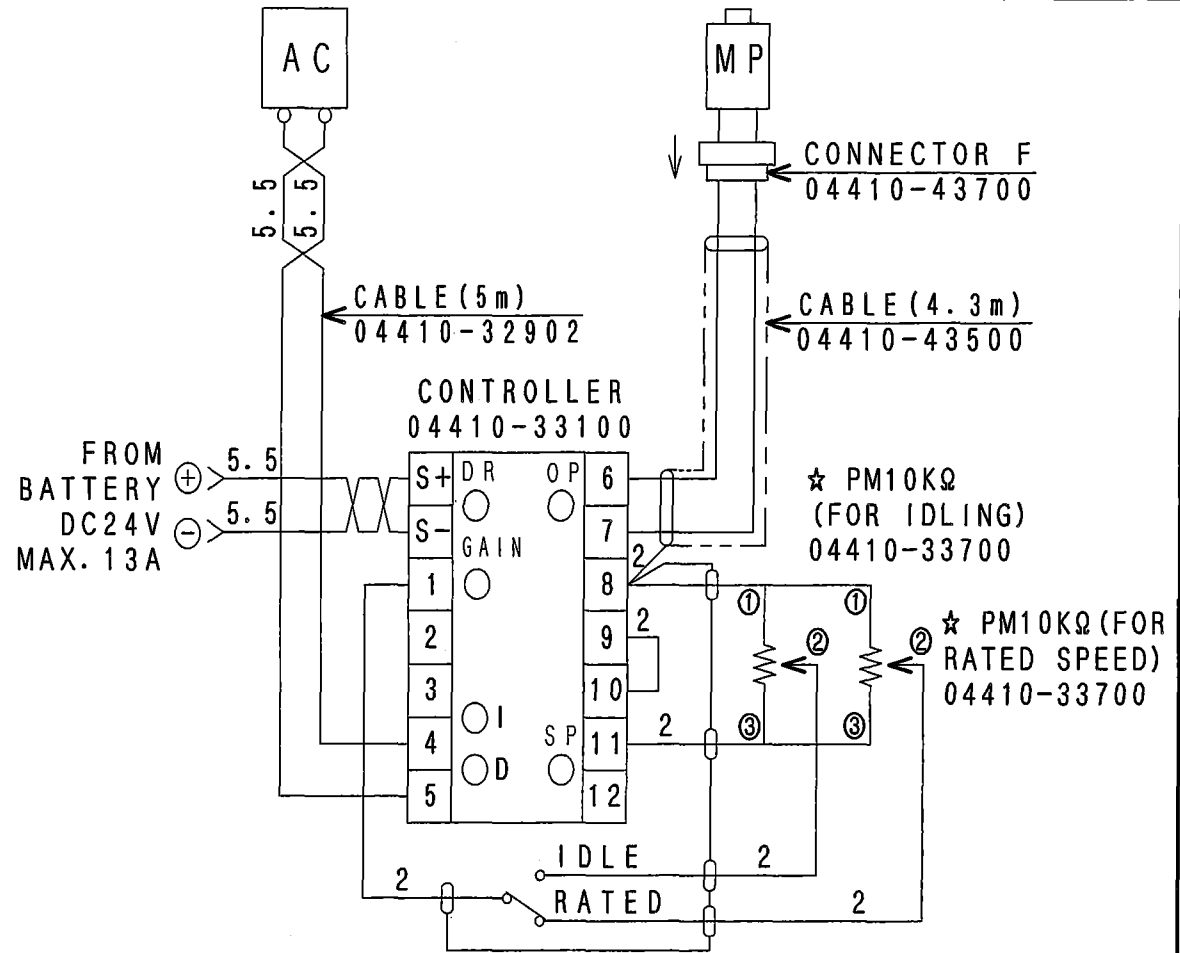
DWG. NO. S13-1022
 MITSUBISHI HEAVY INDUSTRIES, LTD.
 GENERAL MACHINERY & SPECIAL VEHICLE HEADQUARTERS

CHECKED BY
Y. FUKUDA



ACTUATOR
04410-32011
04410-37081 (S12H)

MAGNETIC PICKUP
04410-43410



★ MODE CHANGEOVER CONTACTOR
(SHALL BE USE GOLD PLATING CONTACTOR)

WIRING

MHI CONFIDENTIAL

CONNECTOR F
04410-43700

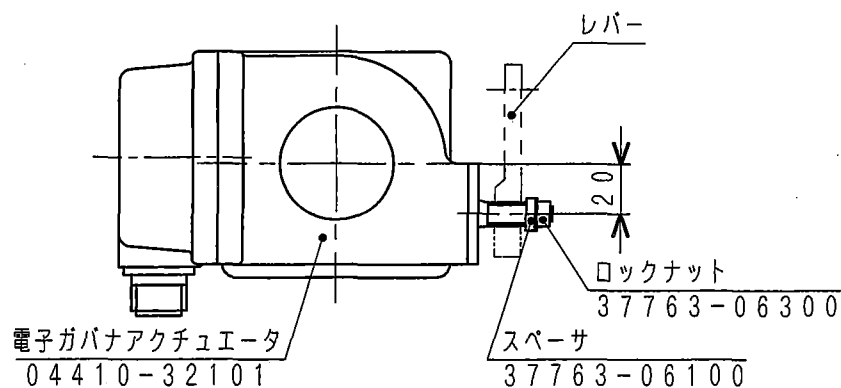
2	'11.4.20
1	'01.6.29
REV.	DATE

CONTROLLER SPEED
PART NO. 04410-33100

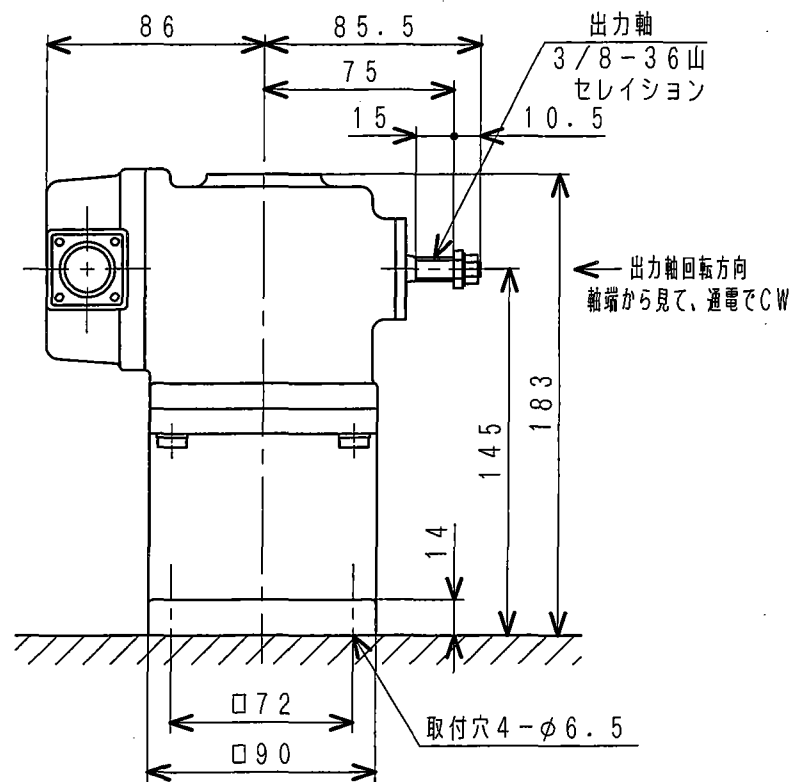
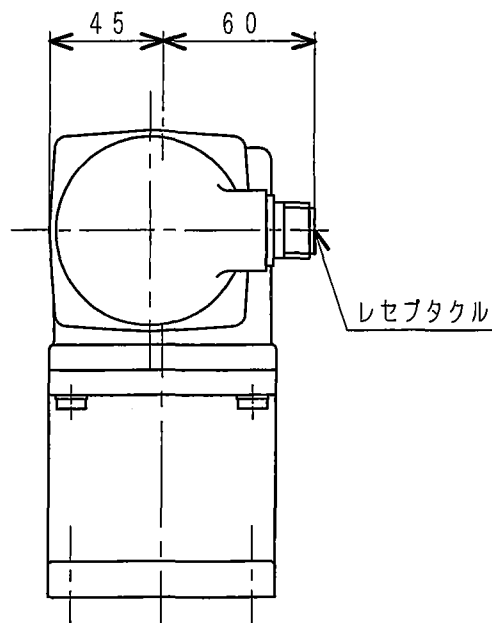
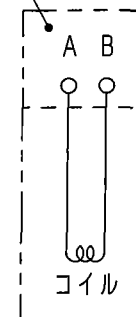
DWG. NO. S13-1042
MITSUBISHI HEAVY INDUSTRIES, LTD.
GENERAL MACHINERY & SPECIAL VEHICLE HEADQUARTERS

CHECKED BY

Y. FUKUDA



コネクタ用レセプタクル
(キャノンプラグ)



仕様

回転角度	: MAX 40°
トルク	: 0.17 kgf·m 起動時 起動時常温 8Aにて
電源	: DC 24V パルス
起動最低電圧	: DC 16V 50%ed以下
電流	: MAX 13A
常用電流	: 軽負荷制御時 0.5A~2A
周囲温度	: -30℃~100℃
耐震	: 25G JIS D 1601
重量	: 4.7 kgf

MHI CONFIDENTIAL

(2) 本部品は、部番04410-32010に対し出力軸の材料を変更したものである。

注記(1) 本部品は、2線式アクチュエータである。

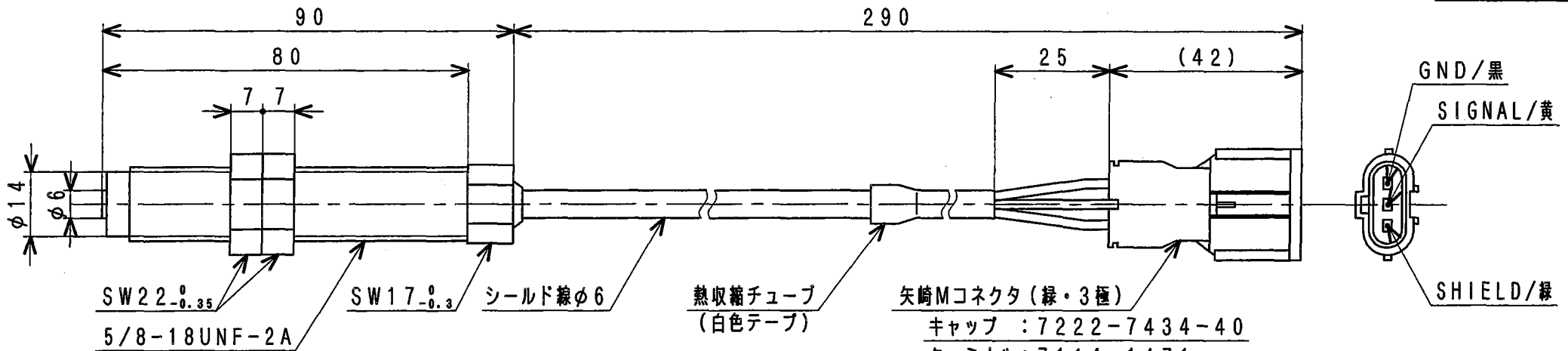
△	
△	
△	
REV.	DATE

ACTUATOR/SG4017BR
PART NO. 04410-32011

DWG. NO. S13-1761
MITSUBISHI HEAVY INDUSTRIES, LTD.
GENERAL MACHINERY & SPECIAL VEHICLE HEADQUARTERS

CHECKED BY

Y. FUKUDA



仕様

1. 電機的特性

出力電圧 : 図1. 測定条件にて4.0Vp-p以上 (at 700Hz)
7.0Vp-p以上 (at 6700Hz)

直流抵抗 : 1.3k Ω ~1.6k Ω (at +25 $^{\circ}$ C)

絶縁抵抗 : 1M Ω 以上 at DC 500V (コネクタ端子-ハウジング間)

耐電圧 : 50/60Hz AC 500V 1分間 (コネクタ端子-ハウジング間)

2. 機械的特性

コネクタ引き抜け力 : 5N以上

締付け破壊トルク : 5J以上

3. 使用温度範囲

-40 $^{\circ}$ C~+120 $^{\circ}$ C

注記

1. 本部品は日本エアボックス(株) 殿製である。

2. 本部品は04410-43400に対し、コイル保護ラバー(シリコン)を厚塗り品としたものである。

また、識別用として熱収縮チューブに白色テープを追加し、Mコネクタの色を緑←灰にしたものである。

- キャップ : 7222-7434-40
ターミナル : 7114-1471
ゴム栓 : 7157-7812
リヤホルダ : 7157-7814-80

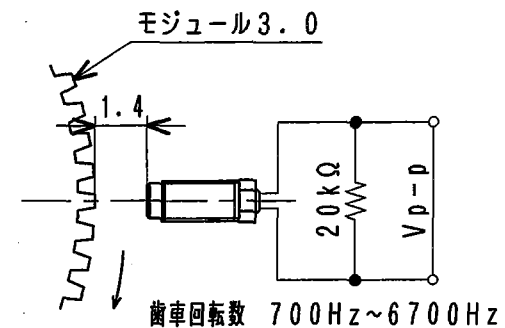


図1. 出力条件

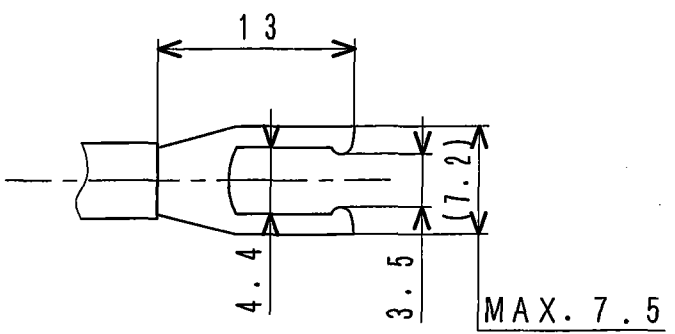
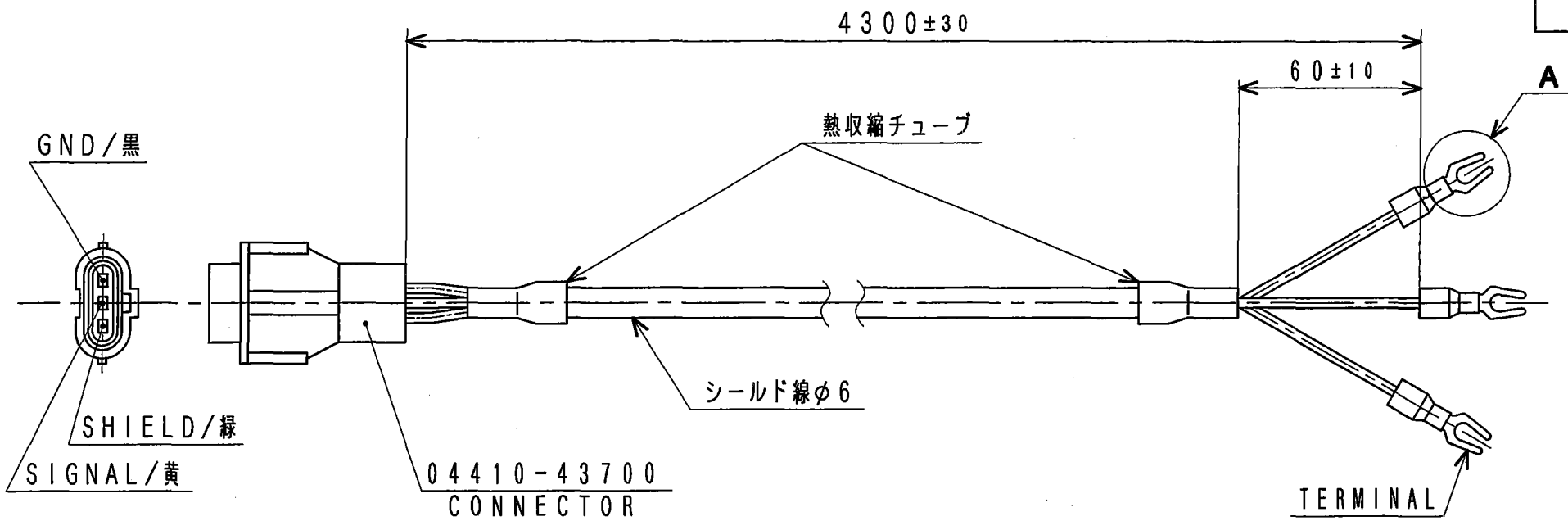
MHI CONFIDENTIAL

△	
△	
△	
REV.	DATE

PICKUP, MAGNETIC
PART NO. 04410-43410

DWG. NO. S13-2011
MITSUBISHI HEAVY INDUSTRIES, LTD.
GENERAL MACHINERY & SPECIAL VEHICLE HEADQUARTERS

CHECKED BY



DETAIL A

- 注記 (3) ターミナル形状は、A図と同等 (M3ネジ用) である。
 (2) 配線色は、黒X1, 黄X1 (各々メスピンの接続), 緑X1 (シールドに接続) である。
 (1) リード線は、シールド線 (φ6) を使用。

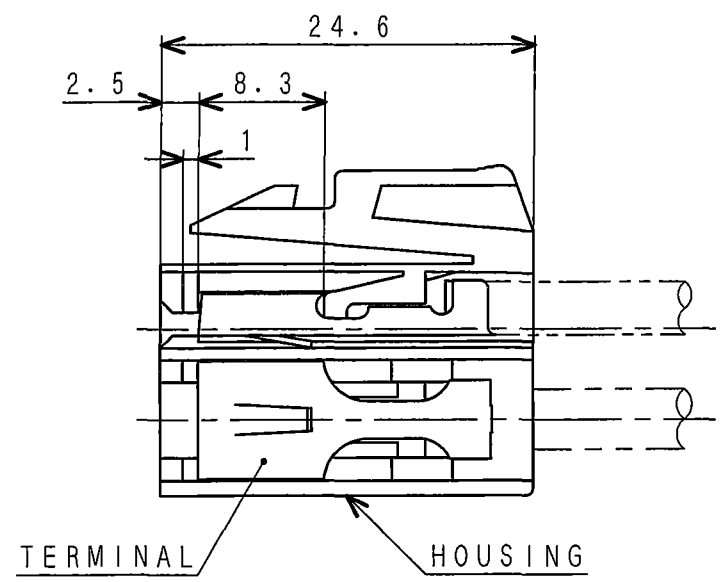
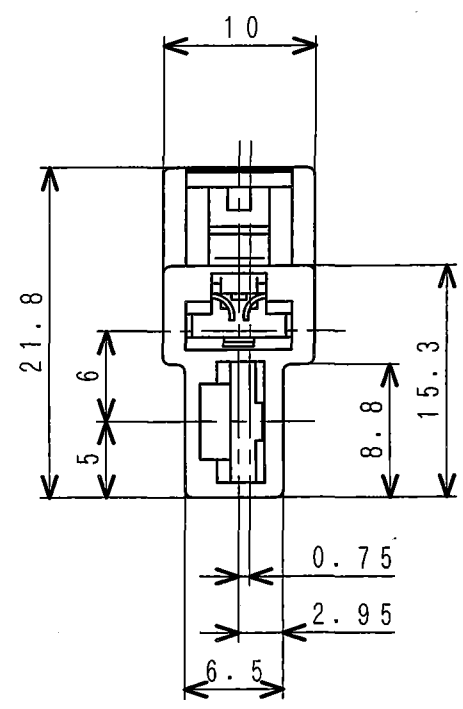
MHI CONFIDENTIAL

△	
△	
△	
REV.	DATE

CABLE, PICKUP
 PART NO. 04410-43500

DWG. NO. S13-2020
 MITSUBISHI HEAVY INDUSTRIES, LTD.
 GENERAL MACHINERY & SPECIAL VEHICLE HEADQUARTERS


CHECKED BY
Y. FUKUDA



MHI CONFIDENTIAL

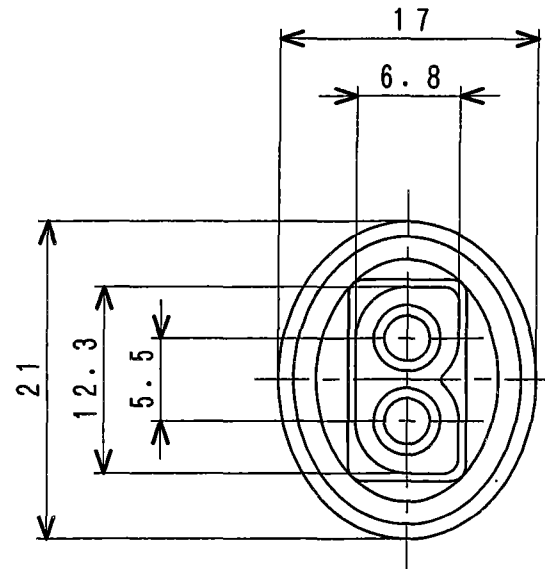
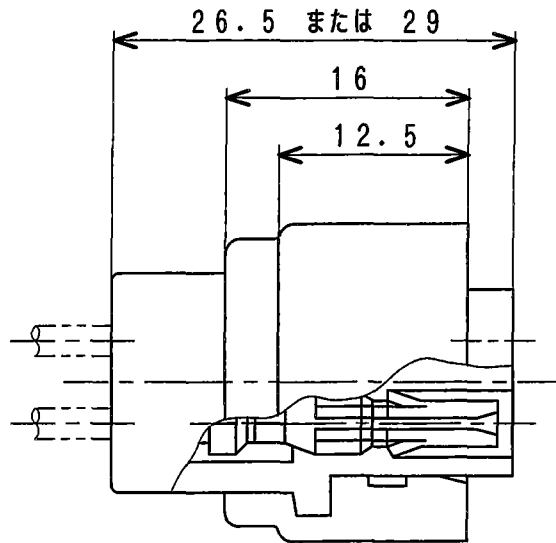
△	
△	
↑	93 9/10
REV.	DATE

CONNECTOR, 2 POLES
PART NO. F8665-02100

DWG. NO. S14-0320
 MITSUBISHI HEAVY INDUSTRIES, LTD.
 GENERAL MACHINERY & SPECIAL VEHICLE HEADQUARTERS

CHECKED BY

Y. FUKUDA



MHI CONFIDENTIAL

△	
2	'04.3.12
1	'93.8.4
REV.	DATE

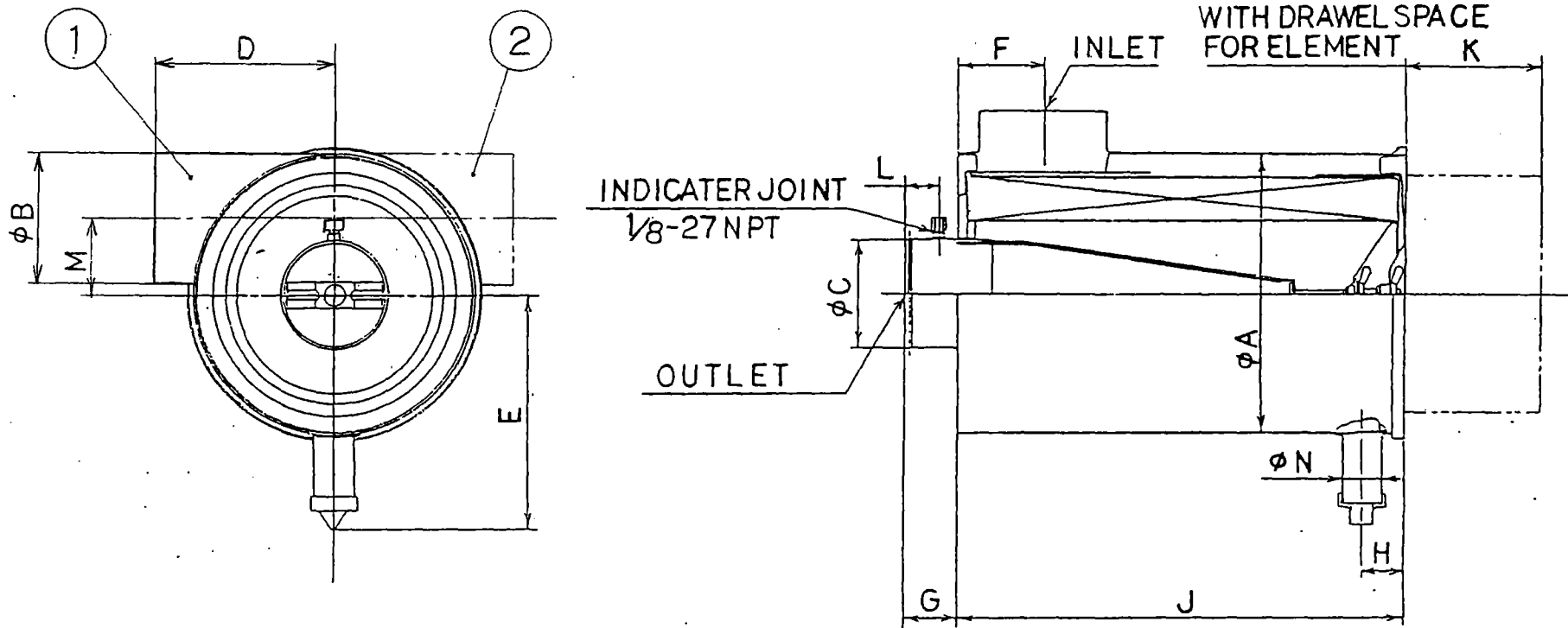
CONNECTOR
PART. NO. MH052231

DWG. NO. S14-0330

 MITSUBISHI HEAVY INDUSTRIES, LTD.
GENERAL MACHINERY & SPECIAL VEHICLE HEADQUARTERS

CHECKED BY

H. J. ...



2	47220-45302	FTG15L	RIGHT	381	177.8	152.4	241.3	283	109.7	60.5	50	629.4	617	40.6	102.9	50.8	22.5	47220-38802
1	47220-43101	FTG15L	LEFT	381	177.8	152.4	241.3	338.6	109.7	60.5	50	629.4	617	40.6	102.9	50.8	22.5	47220-38802
No.	PARTS No.	TYPE MEASURE	INLET	A	B	C	D	E	F	G	H	J	K	L	M	N	WEIGHT (kg)	ELEMENT ASSY. PARTS No.

MHI CONFIDENTIAL

△	
△	
△	
REV.	DATE

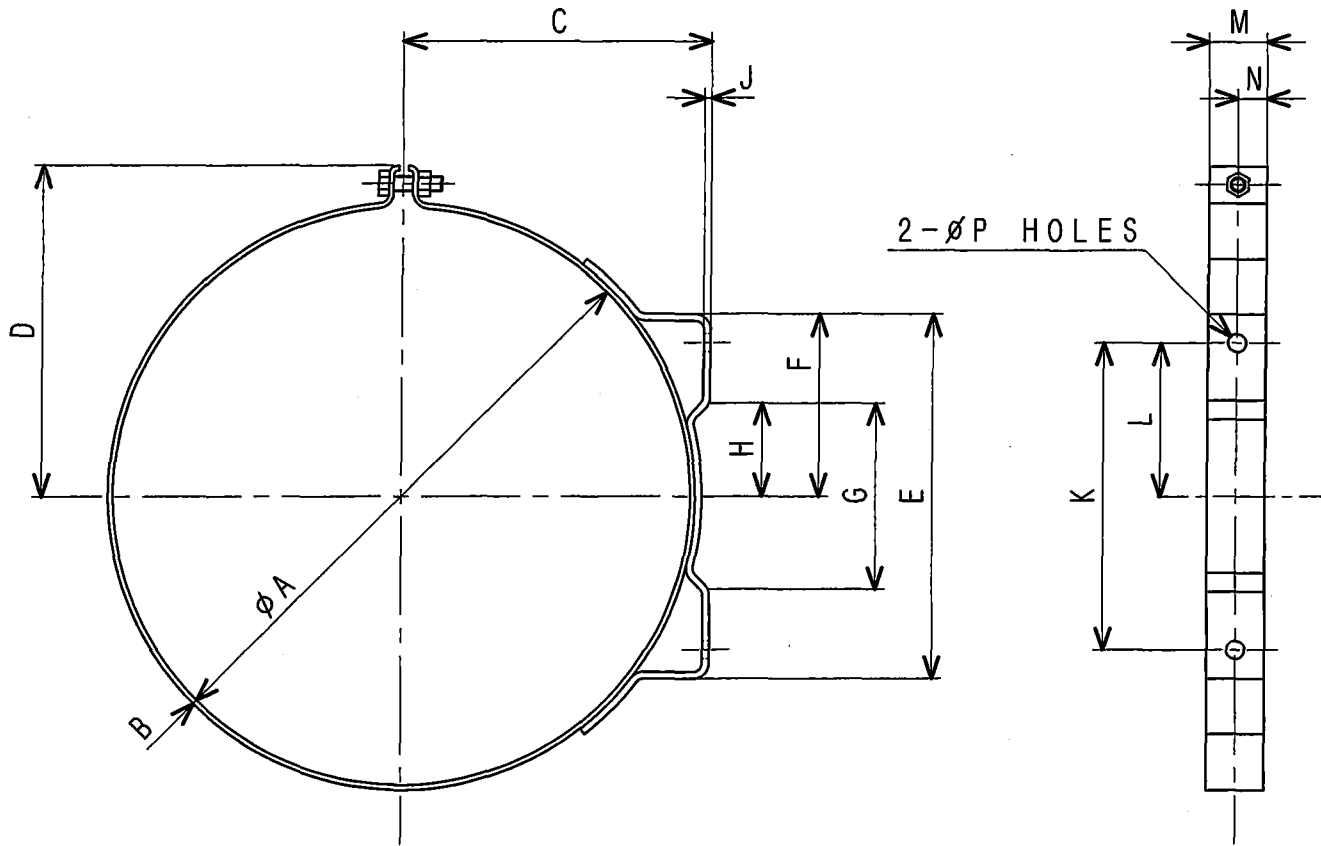
AIR CLEANER ASSY.

DWG. NO. S35-0550

MITSUBISHI HEAVY INDUSTRIES, LTD.
GENERAL MACHINERY & SPECIAL VEHICLE HEADQUARTERS

CHECKED BY

Y. FUKUDA



47220-30300	16' ($\phi 406.4$)	406.4	3.0	231.6	230	292	146	124	62	5.0	254	127	38	19	2- $\phi 12$	
47220-38300	15' ($\phi 381.0$)	381	3.2	203.2	218	241.4	120.7	127	63.5	5.0	203.2	101.6	38	19	2- $\phi 12$	FTG15
47220-21300	14' ($\phi 355.6$)	355.6	3.2	206.2	205.5	241.4	120.7	144	72	4.5	203.2	101.6	38.2	19.1	2- $\phi 12$	
47220-39300	13' ($\phi 330.2$)	330.2	2.6	184.2	191.9	179.4	89.7	53.8	26.9	3.2	152.4	76.2	38	19	2- $\phi 10.3$	FTG13
PARTS NO.	TYPE MEASURE	A	B	C	D	E	F	G	H	J	K	L	M	N	P	REMARKS

MHI CONFIDENTIAL

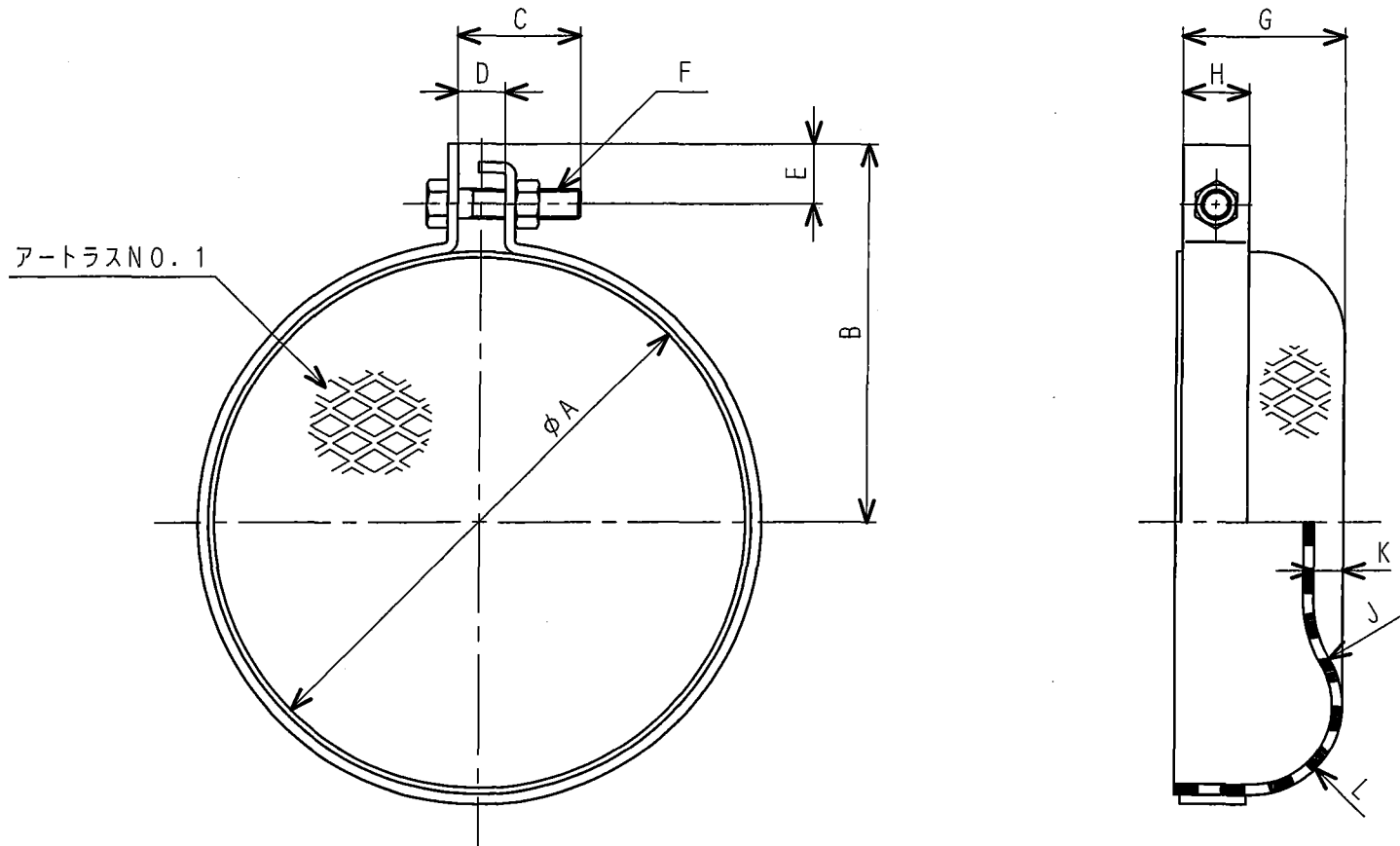
2	'00.11.7
1	'94.3.8
REV.	DATE

BAND

DWG. NO. S35-0600

MITSUBISHI HEAVY INDUSTRIES, LTD.
GENERAL MACHINERY & SPECIAL VEHICLE HEADQUARTERS

CHECKED BY



47220-32200	7" (ø177.8)	180	128.2	45		20.3	M10X1.25	55	22.4	40	10	30
47220-33200	6" (ø152.4)	153	115	45	20	18	3/8-16UNC-2A	48	22	33	10	28
47220-21200	5" (ø127)	130.2	87.4	35		11.1	M8X1.25	36.5	19			
47220-14100	4" (ø101.6)	104.8	83			14	5/16-18UNC-2A	40	19	35	8	15
PARTS NO.	TYPE MEASURE	A	B	C	D	E	F	G	H	J	K	L

MHI CONFIDENTIAL

1	94	3/16
REV.	DATE	

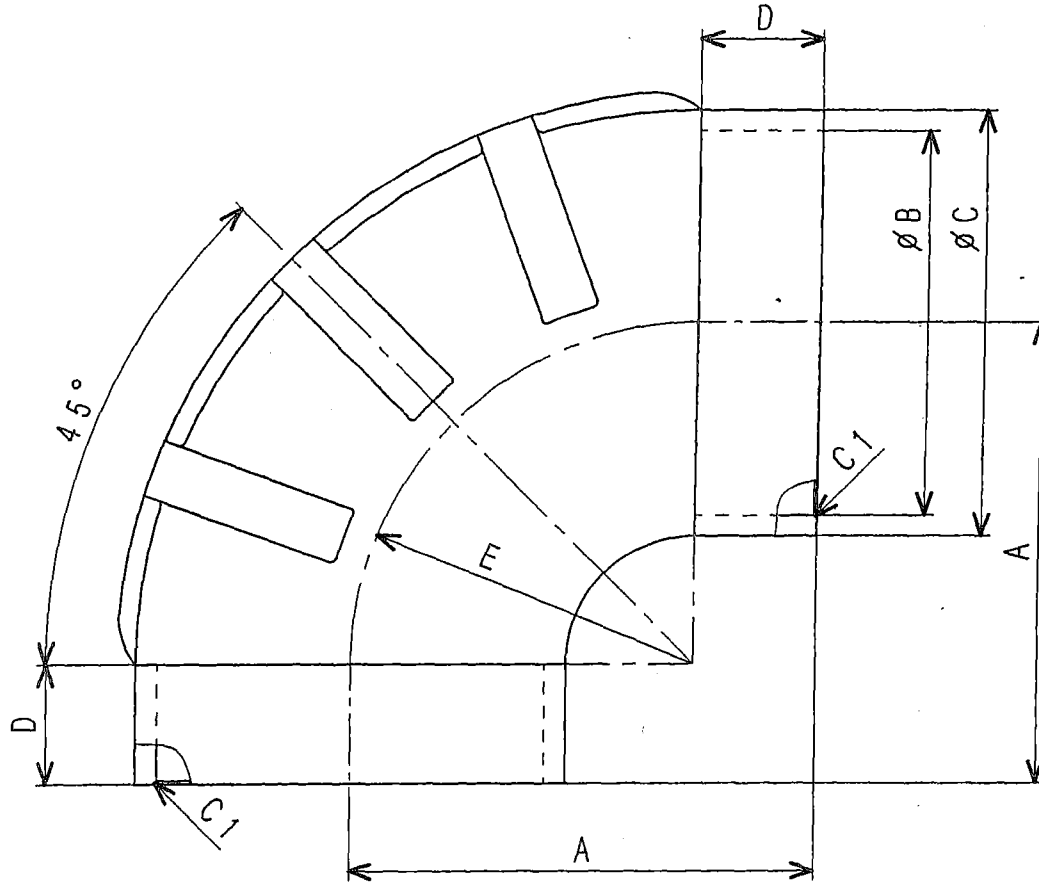
CAP, INLET

DWG. NO. S35-0660

MITSUBISHI HEAVY INDUSTRIES, LTD.
GENERAL MACHINERY & SPECIAL VEHICLE HEADQUARTERS

CHECKED BY

J. Furukawa



47220-47600	∅160	145	160	176	40	100
47220-32600	7' (∅177.8)	184.2	177.8	194.6	50.8	133.4
47220-30400	6' (∅152.4)	177.8	152.4	166.4	50.8	127
47220-12100	5' (∅127.0)	152.4	127	141	40	112.4
PARTS NO.	TYPE MEASURE	A	B	C	D	E

MHI CONFIDENTIAL

△	
△	
△	
REV.	DATE

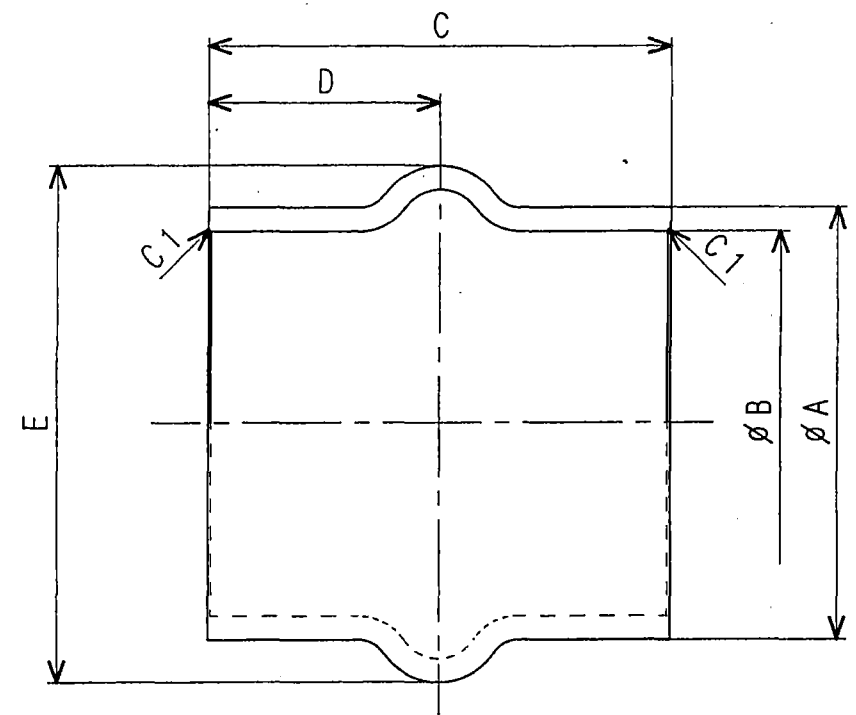
HOSE, RUBBER

DWG. NO. S35-0701


MITSUBISHI HEAVY INDUSTRIES, LTD.
 GENERAL MACHINERY & SPECIAL VEHICLE HEADQUARTERS

CHECKED BY

G. Fukuda



47220-47300	10' (ø254.0)	266.7	254	152.4	76.2	300
47220-31600	7' (ø177.8)	194	178	178	89	222
47220-30500	6' (ø152.4)	168.4	152.4	178	89	196.4
47220-13200	5' (ø127.0)	143	127	152.4	76.2	171
PARTS NO.	TYPE	MEASURE				
		A	B	C	D	E

MHI CONFIDENTIAL

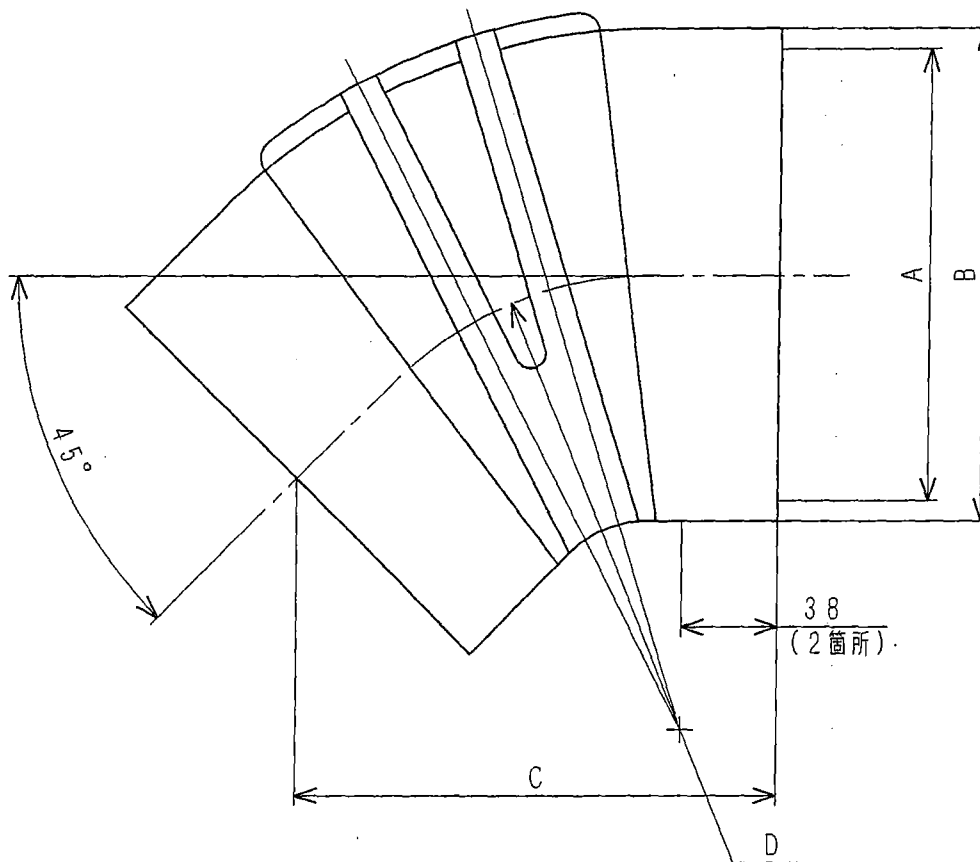
△	
△	
△	
REV.	DATE

HOSE, RUBBER

DWG. NO. S35-0711
 MITSUBISHI HEAVY INDUSTRIES, LTD.
 GENERAL MACHINERY & SPECIAL VEHICLE HEADQUARTERS

CHECKED BY

Y. FUKUDA



47220-31500	7" (Ø177.8)	177.8	194.1	190.5	141.2
47220-31400	6" (Ø152.4)	152.4	168.4	145.8	152.4
PARTS NO.	SIZE MEASURE	A	B	C	D

MHI CONFIDENTIAL

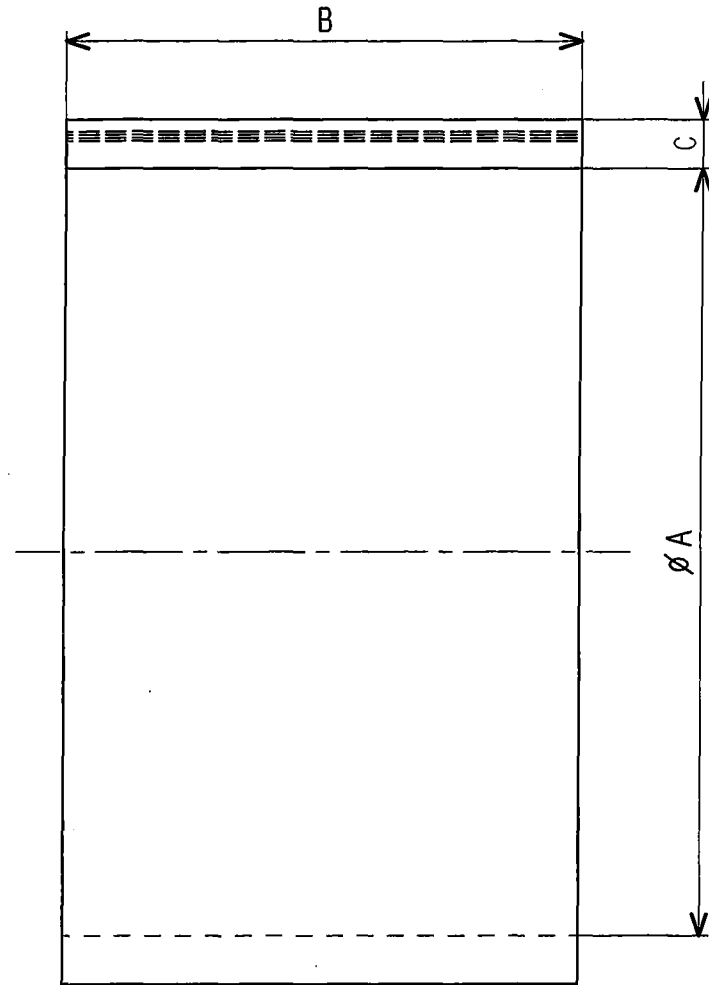
△	
△	
△	
REV.	DATE

ELBOW / 45°

DWG. NO. S35-0720
 MITSUBISHI HEAVY INDUSTRIES, LTD.
 GENERAL MACHINERY & SPECIAL VEHICLE HEADQUARTERS

CHECKED BY

Y. FUKUDA



47510-74800	160	150	8
45735-73400	152	85	8
45741-72900	127	85	8
PARTS NO.	A	B	C

MHI CONFIDENTIAL

△	
△	
△	
REV.	DATE

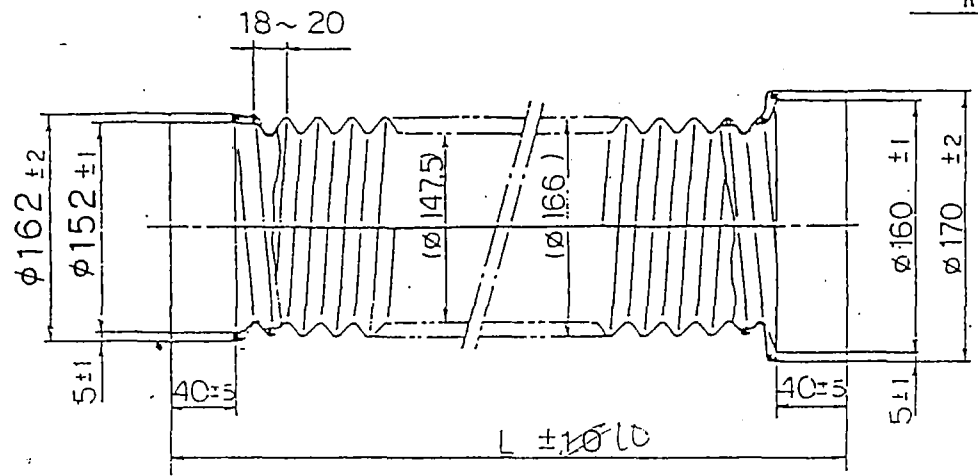
HOSE, RUBBER

DWG. NO. S35-0731

 MITSUBISHI HEAVY INDUSTRIES, LTD.
GENERAL MACHINERY & SPECIAL VEHICLE HEADQUARTERS

CHECKED BY

Y. Fukuda



47221-16900	500
" -16800	300
" -16700	850
" -16600	900
" -15500	2700
" -15400	1750
" -15300	1100
" -15200	1000
" -15100	700
PARTS NO.	LENGTH(mm)

MHI CONFIDENTIAL

△	
△	
△	
REV.	DATE

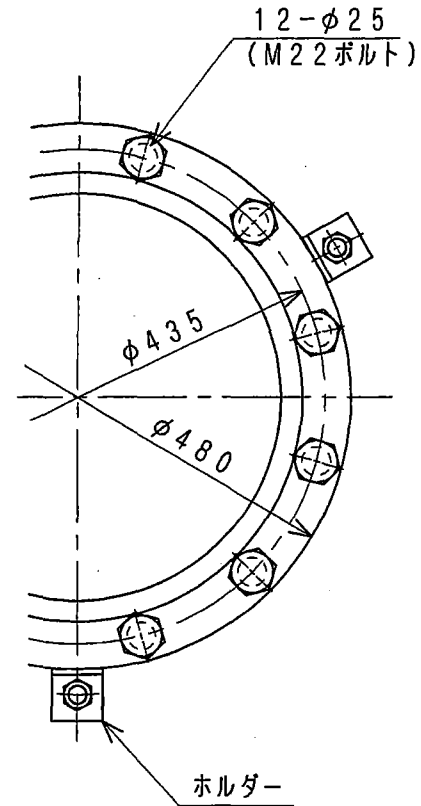
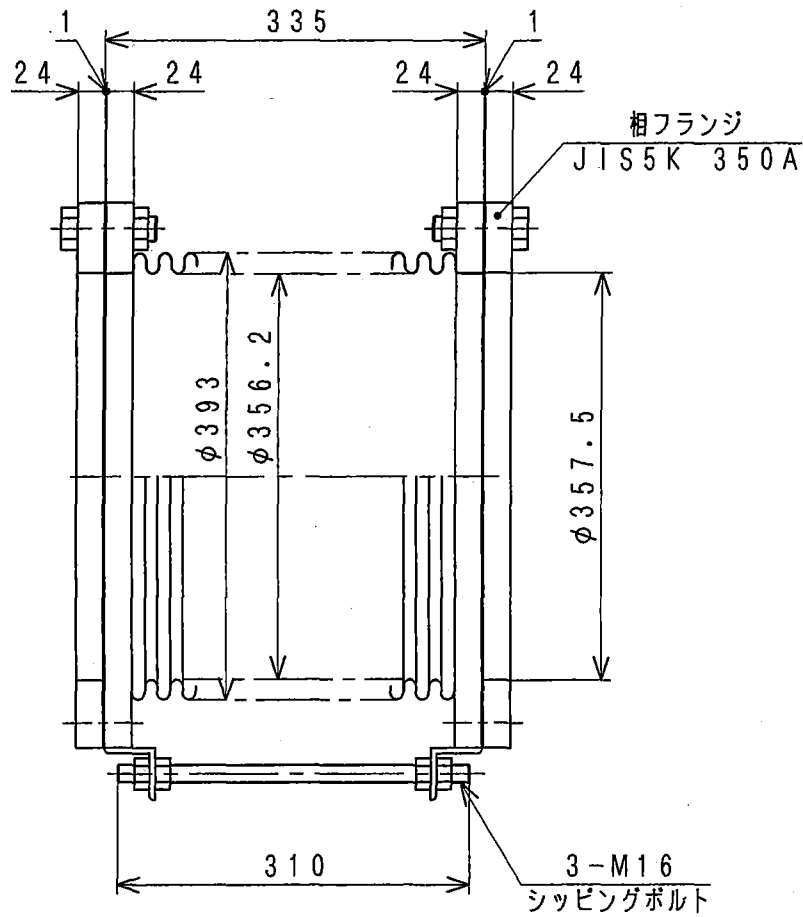
AIR HOSE

DWG. NO. S35 - 0751

MITSUBISHI HEAVY INDUSTRIES, LTD.
GENERAL MACHINERY & SPECIAL VEHICLE HEADQUARTERS

CHECKED BY

Y. FUKUDA



注記 (1) 本部品は、相フランジ及びボルト、ナット付である。

MHI CONFIDENTIAL

REV.	DATE

PIPE, FLEXIBLE
PART NO. 47920-12400

DWG. NO. S37-1090
MITSUBISHI HEAVY INDUSTRIES, LTD.
GENERAL MACHINERY & SPECIAL VEHICLE HEADQUARTERS